

WH006



CRAWFORD, MURPHY & TILLY, INC.
CONSULTING ENGINEERS

Whiteside County **AIRPORT**
JOSEPH H. BITTORF FIELD

Whiteside County
Airport

Sterling / Rock Falls,
Illinois

Whiteside County
Airport

AIP: 3-17-0098-XX
SQI-3694

Recable Airfield

**FINAL
SUBMITTAL**

Revisions

Date	Description

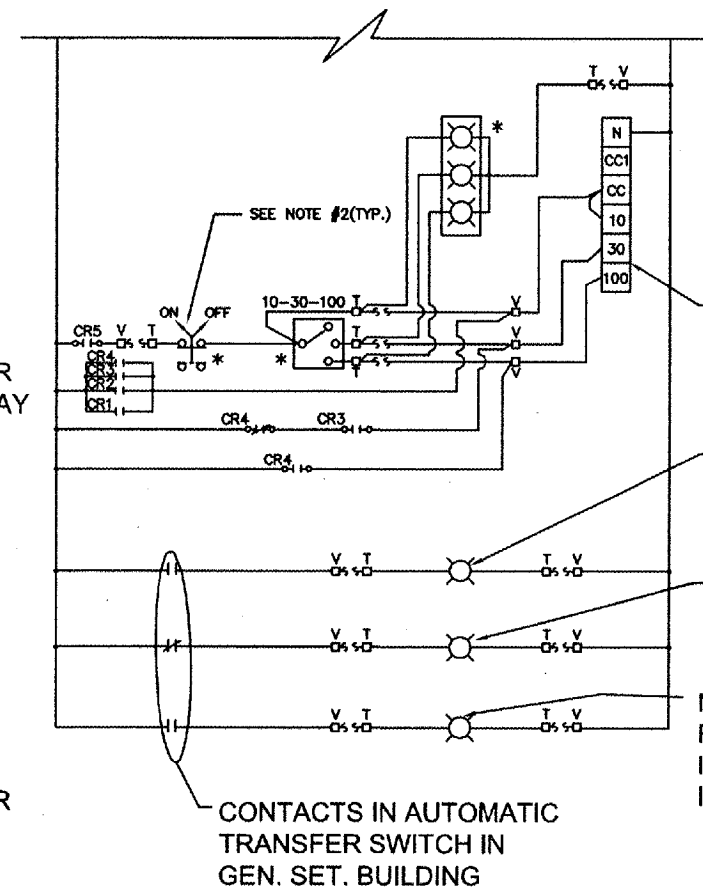
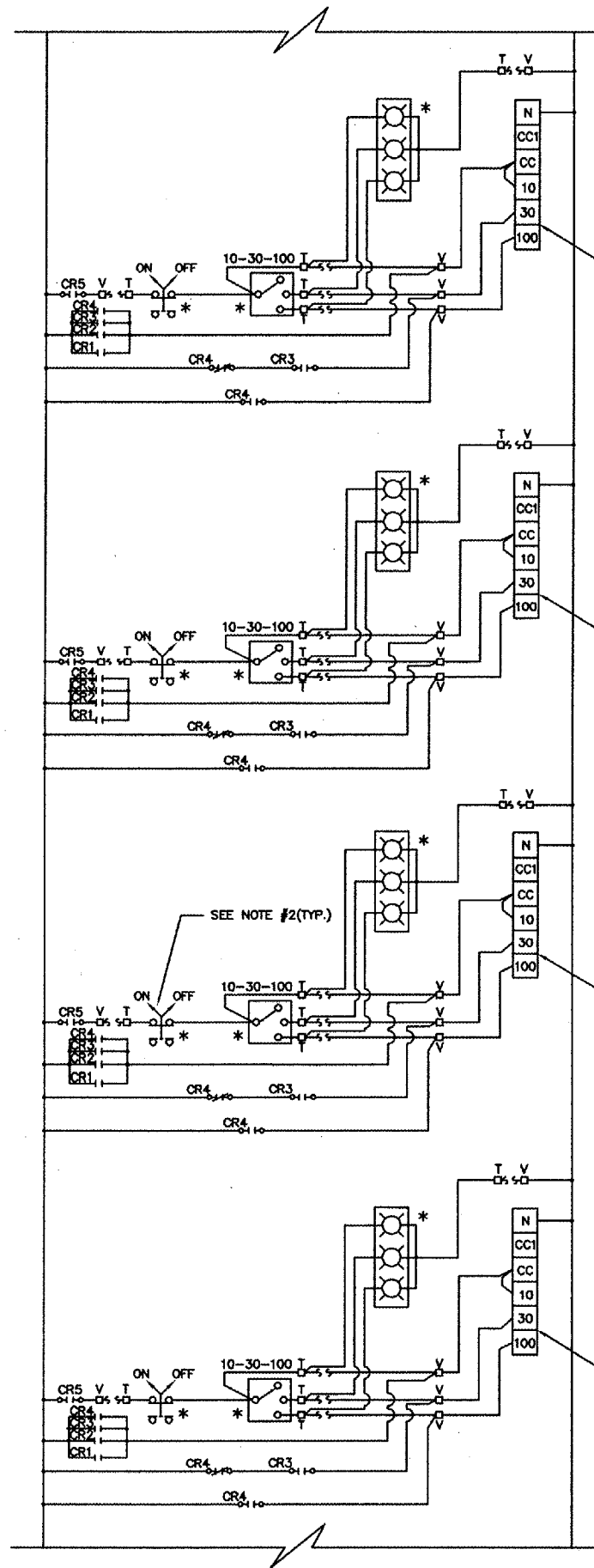
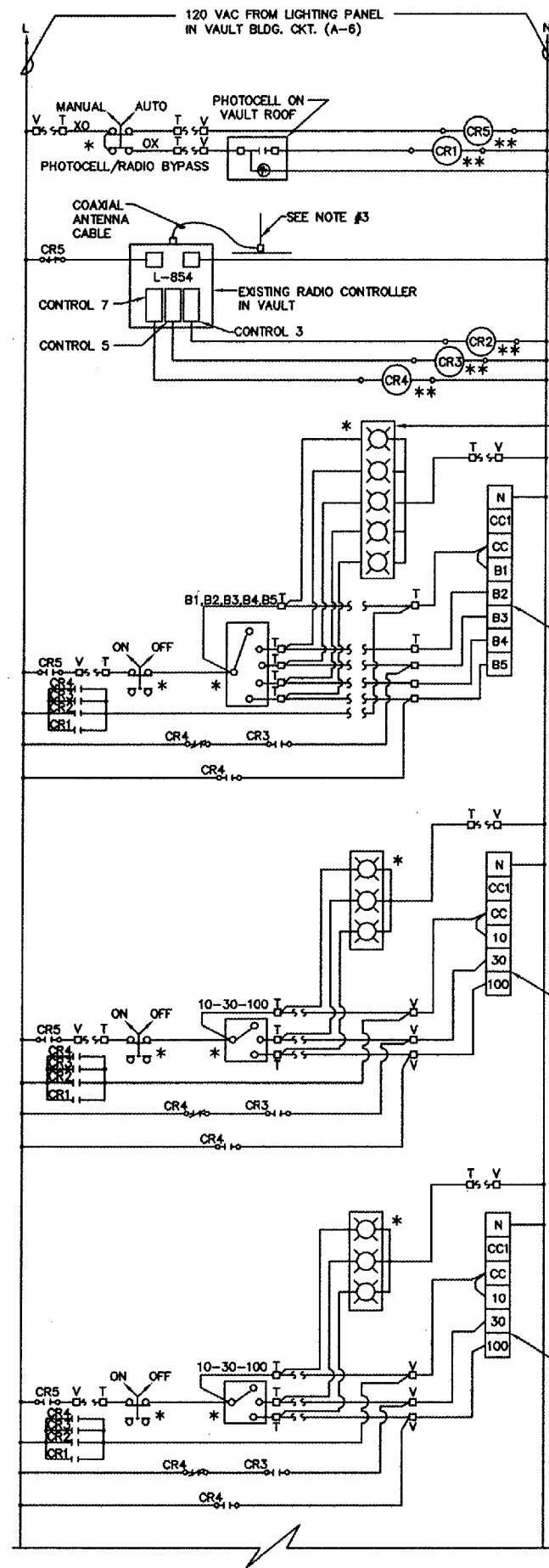
0 1
THIS BAR IS EQUAL TO 1"
AT FULL SCALE (17 X 11).

DESIGN BY:	CMT- RFD
DRAWN BY:	CMT- RFD
CHECKED BY:	CMT- RFD
APPROVED BY:	
DATE:	4.20.2007
JOB No:	06292-03-00

**VAULT
MODIFICATIONS
DETAILS
(VMD1)**

23

SHEET 23 OF 25 SHEETS



LEGEND

- * ITEM MOUNTED IN TERMINAL BUILDING L-821 AIRFIELD LIGHTING PANEL.
- ** ITEM MOUNTED IN VAULT RELAY PANEL.
- V TERMINAL BLOCK IN TERMINAL BUILDING L-821 PANEL.
- T TERMINAL BLOCK IN VAULT RELAY PANEL.

NOTES:

1. L-821 WIRING SCHEMATIC IS SHOWN FOR INFORMATION ONLY. CONTRACTOR SHALL REMOVE EXISTING CONTROL WIRES AND REPLACE WITH PROPOSED CONTROL WIRES.

VAULT MOD. DETAILS