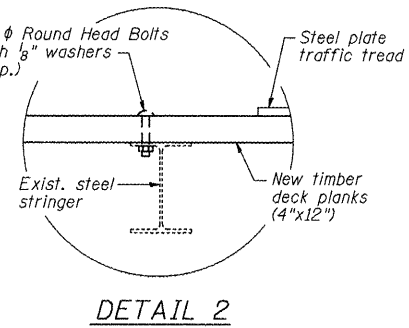
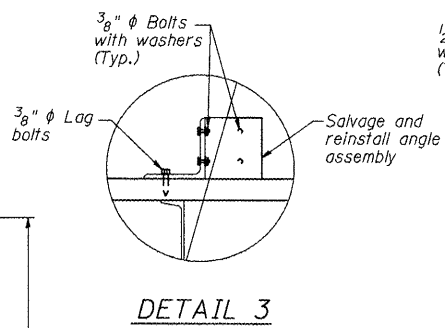
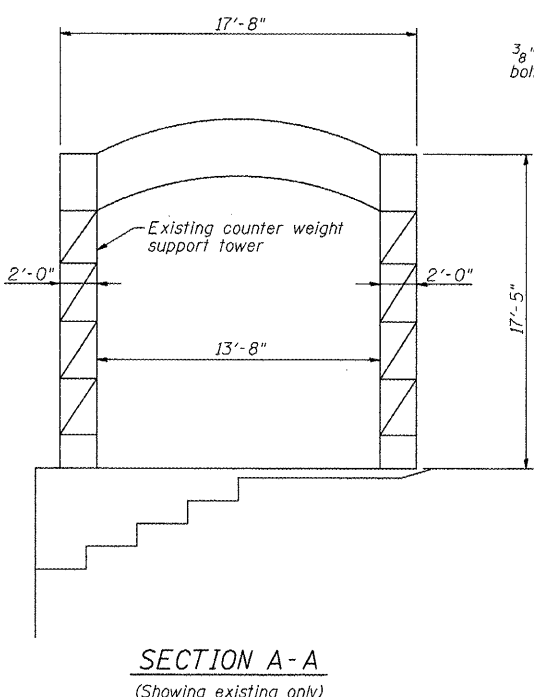
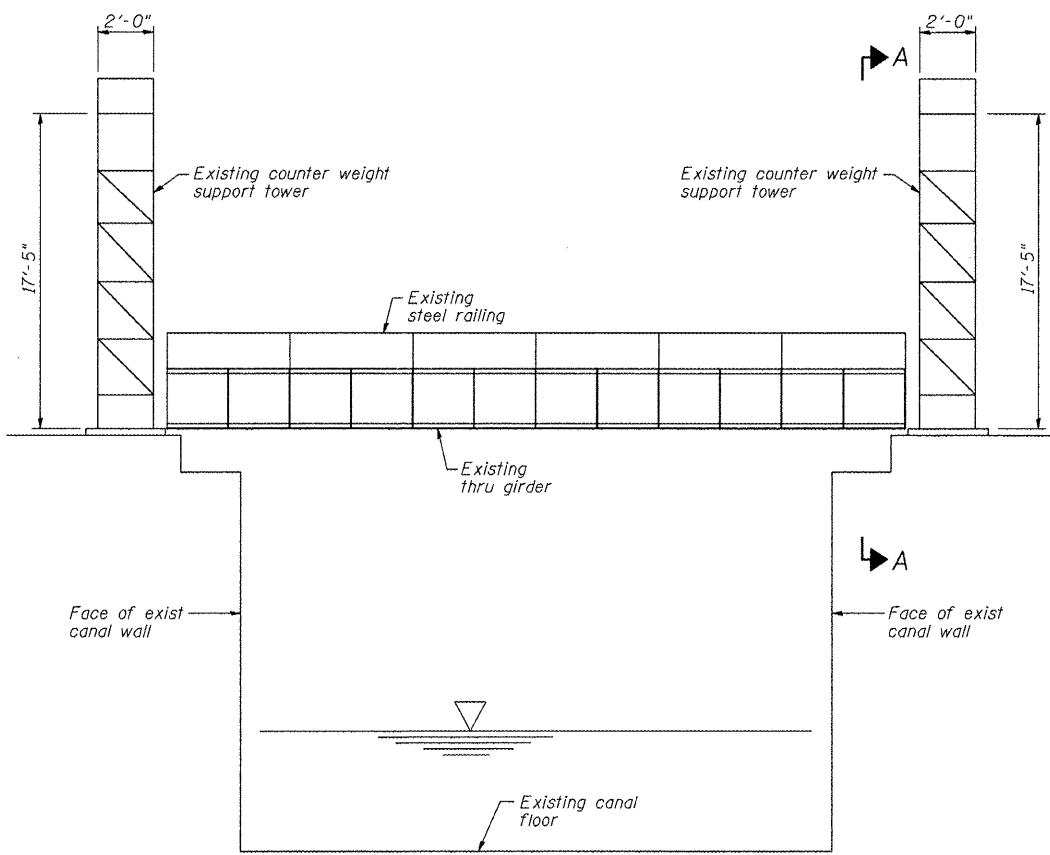
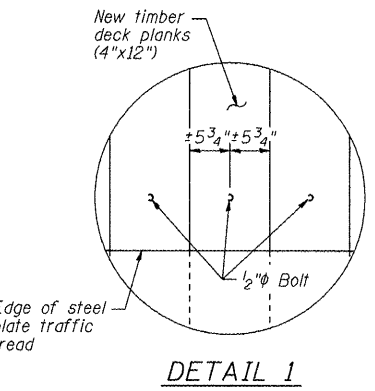
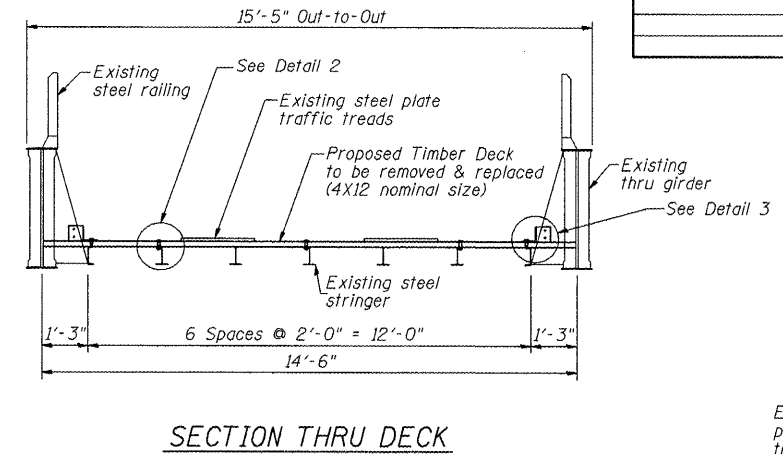
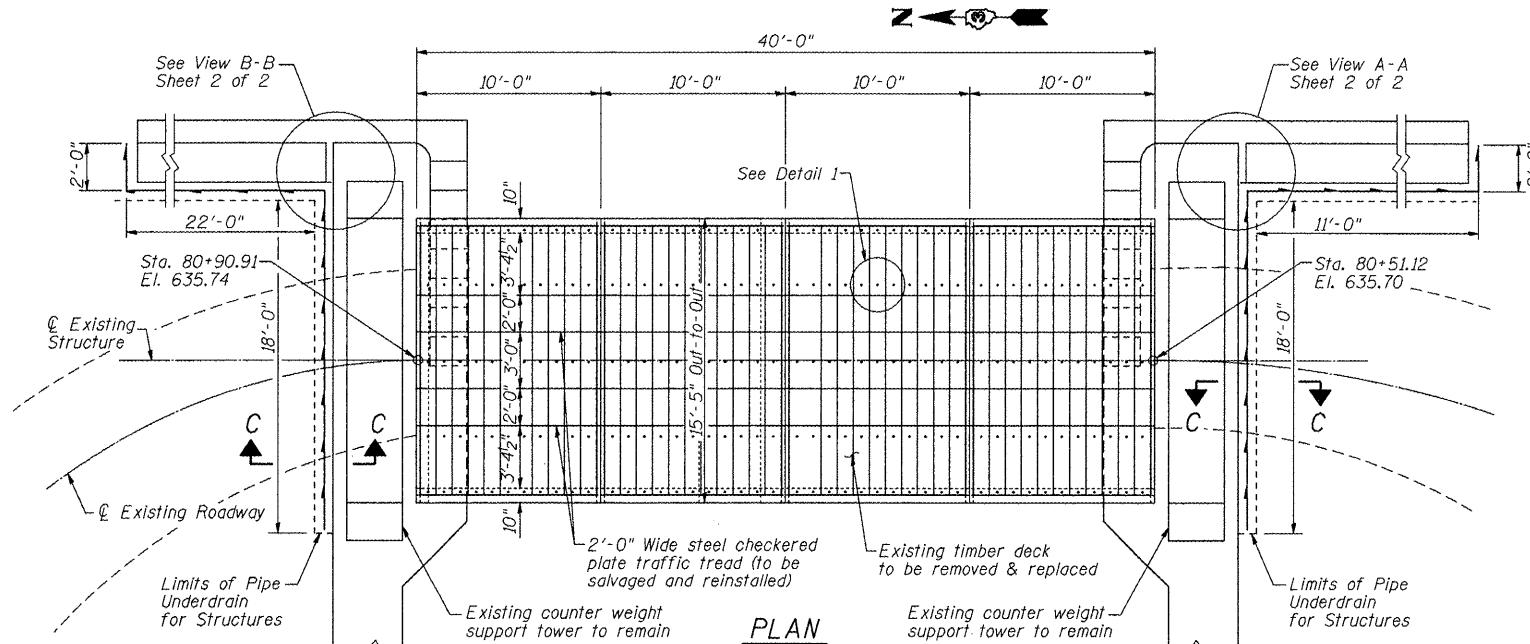


Existing Structure: Steel thru girder lift bridge. A timber deck 40'-0" long spanning the Hennepin Canal. The structure carries pedestrian and vehicular traffic and is posted for an 8 ton weight limit for SB traffic and 15 ton limit for NB traffic.

Proposed Rehabilitation: The existing Steel Traffic Treads will be removed and salvaged. The existing Timber Deck will be removed and replaced, and the Steel Traffic Treads reinstalled. The open joints between the existing masonry walls and the abutments shall be cleaned of debris and filled with an epoxy grout. The structure will be posted for a 4 ton weight limit, with the existing limit signs removed.

TOTAL BILL OF MATERIAL

ITEM	UNIT	SUPER	SUB	TOTAL
Treated Timber	F.B.M.	2440		2440
Hardware	Pound	70		70
Remove & Reinstall Steel Traffic Treads	L. Sum	1		1
Non-Shrink Grout	Cu. Ft.		16.3	16.3
Removal of Existing Timber Members	L. Sum	1		1
Pipe Underdrains for Structures	Ft.		73	73

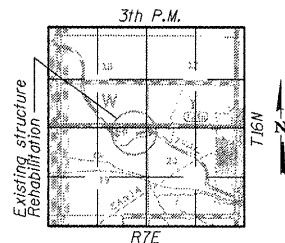


DESIGN SPECIFICATIONS

2010 AASHTO LRFD Bridge Design Specifications with 2010 Interim Revisions

NOTE:

- Plan dimensions and details relative to existing plans are subject to nominal construction variations. The Contractor shall field verify existing dimensions and details affecting new construction and make necessary approved adjustments prior to construction or ordering of material. Such variations shall not be cause for additional compensation for a change in scope of the work, however, the Contractor will be paid for the actual furnished at the unit price bid for the work.
- Use of creosote preservatives will not be acceptable for preservation treatments for the proposed Treated Timber deck.



GENERAL PLAN & ELEVATION
EQUESTRIAN CAMPGROUND RD. OVER
HENNEPIN CANAL LOCK 21
PARK ROADS
BUREAU COUNTY
STATION 80+70.35
STRUCTURE NO. 006-9952

FILE NAME =	USER NAME =	DESIGNED - BPD	REVISED -
		CHECKED - WLB	REVISED -
PLLOT SCALE =		DRAWN - BPD	REVISED -
PLLOT DATE =		CHECKED - BPD	REVISED -

STATE OF ILLINOIS
DEPARTMENT OF TRANSPORTATION

SHEET NO. 1 OF 2 SHEETS

F.A. RTE.	SECTION	COUNTY	TOTAL SHEETS	SHEET NO.
	PARK ROADS	BUREAU	28	21
			CONTRACT NO. 46211	
[ILLINOIS] FED. AID PROJECT				