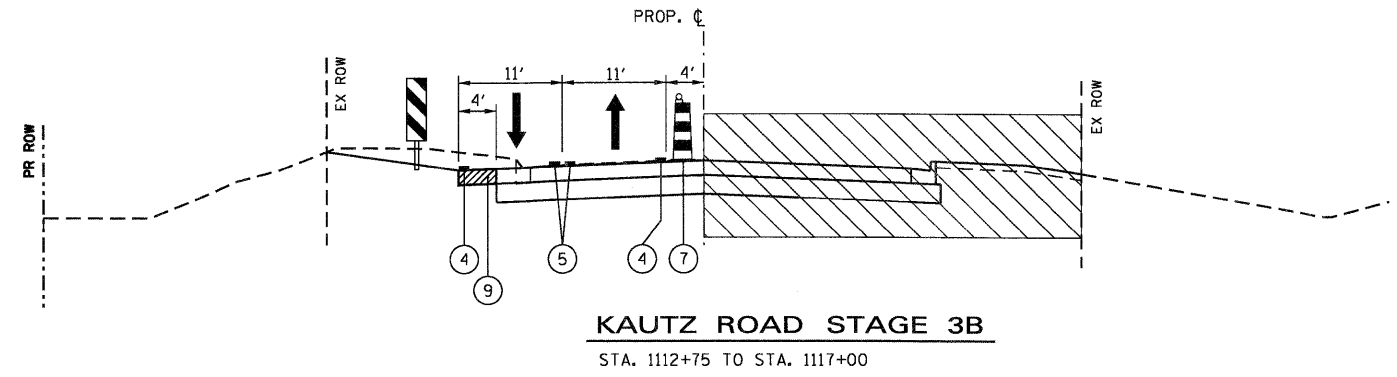
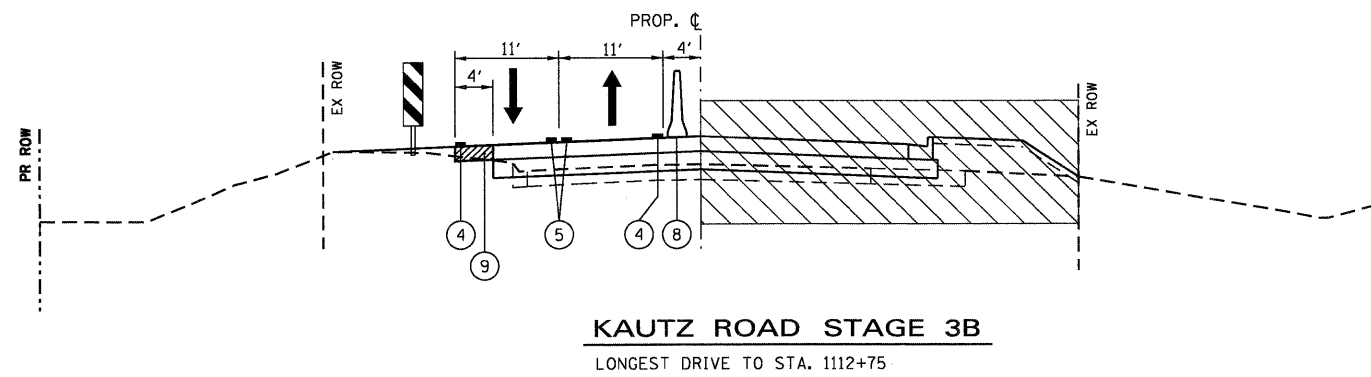
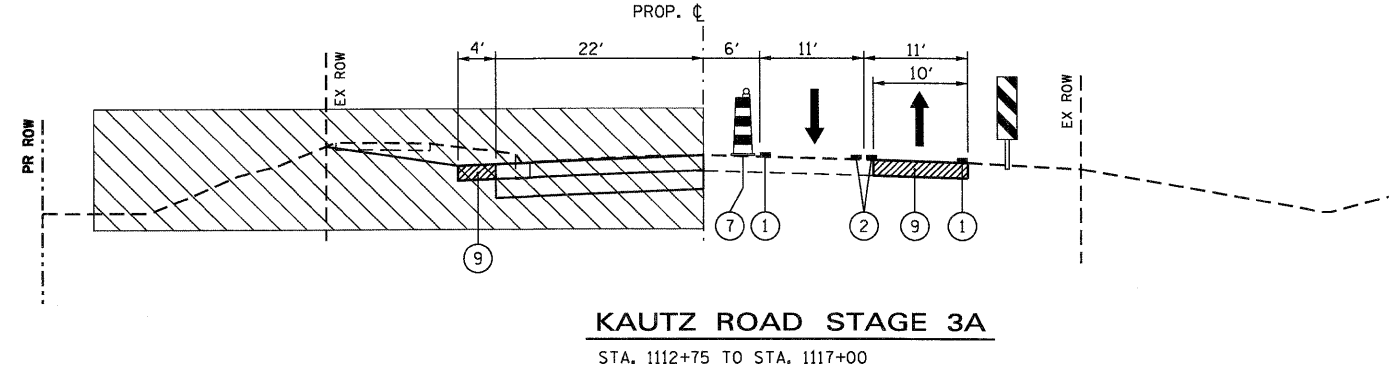
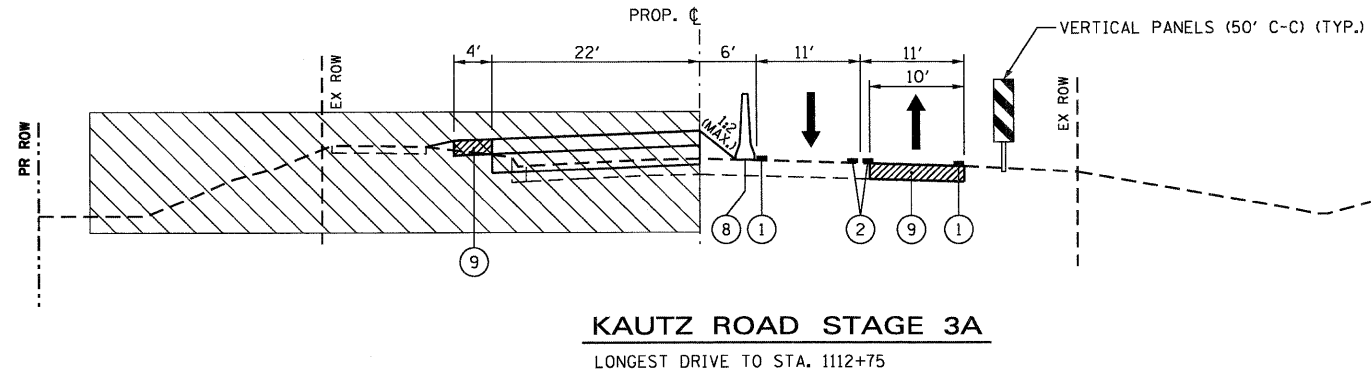
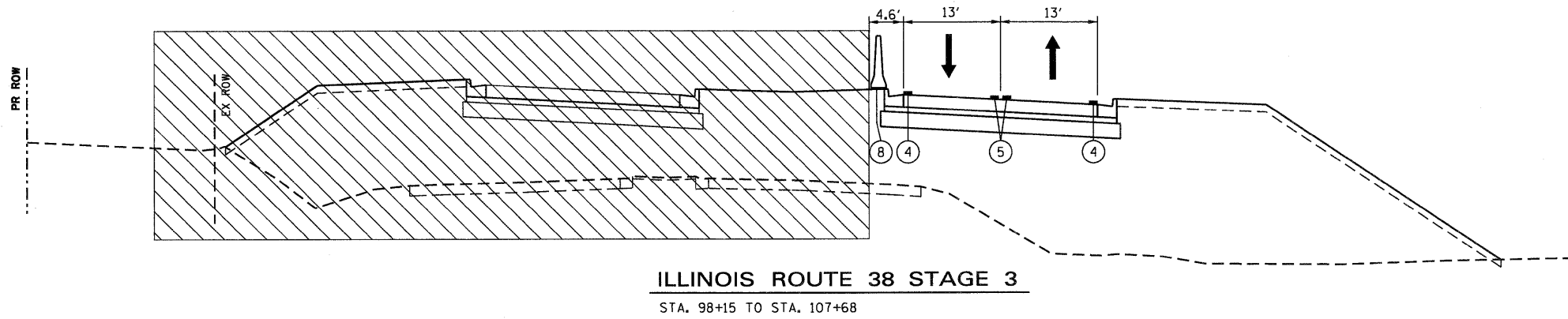
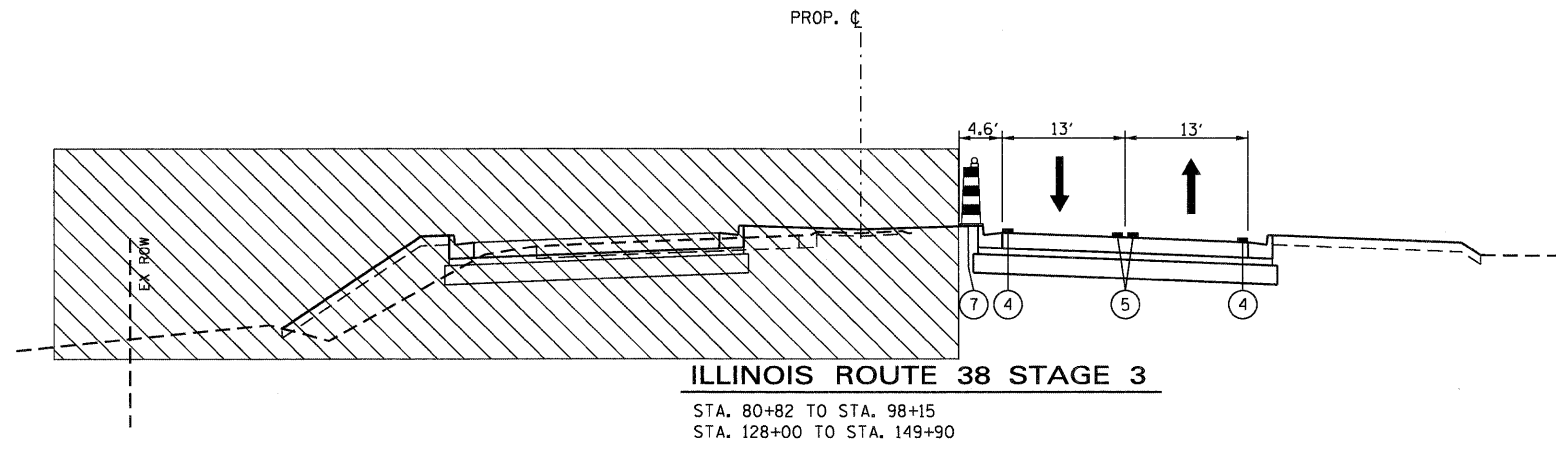


**LEGEND**

- ① TEMPORARY PAVEMENT MARKING LINE, 4" (WHITE)
- ② TEMPORARY PAVEMENT MARKING LINE, 4" (YELLOW)
- ③ TEMPORARY PAVEMENT MARKING LINE, 6" (WHITE)
- ④ WET REFLECTIVE TEMPORARY TAPE TYPE III, 4" (WHITE)
- ⑤ WET REFLECTIVE TEMPORARY TAPE TYPE III, 4" (YELLOW)
- ⑥ WET REFLECTIVE TEMPORARY TAPE TYPE III, 6" (WHITE)
- ⑦ DRUM OR BARRICADE
- ⑧ TEMPORARY CONCRETE BARRIER
- ⑨ TEMPORARY PAVEMENT, 10"



**McDonough Associates Inc.**  
 Engineers / Architects  
 130 East Randolph Street, Chicago, Illinois 60601

FILE NAME = D:\60122-SHT-STAGING\04.dgn	USER NAME = YKlm	DESIGNED - KBN	REVISED -
PLOT SCALE = 1/8"	CHECKED - EJC	DRAWN - KBN	REVISED -
PLOT DATE = 10/14/2011	DATE - 10/14/11		REVISED -

**STATE OF ILLINOIS  
 DEPARTMENT OF TRANSPORTATION**

**MAINTENANCE OF TRAFFIC  
 TYPICAL SECTIONS**

SCALE: NONE SHEET NO. 4 OF 17 SHEETS STA. TO STA.

F.A.P. RTE.	SECTION	COUNTY	TOTAL SHEETS	SHEET NO.
347	LY (HB & VB)	DUPAGE/KANE	421	45
<b>MOT-4</b>		<b>CONTRACT NO. 60122</b>		
FED. ROAD DIST. NO. 1   ILLINOIS FED. AID PROJECT				