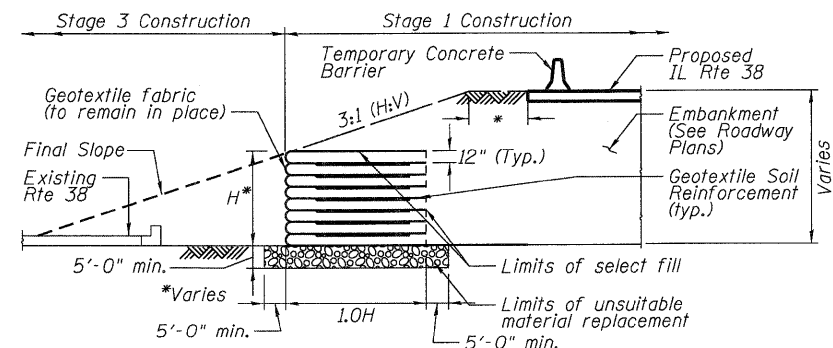


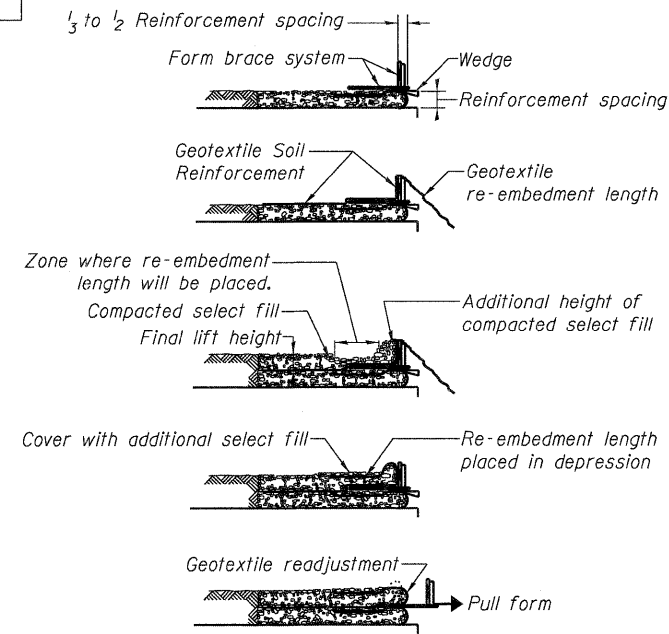
Remove and Disposal of unsuitable material.
Replacement material shall be Porous
Granular Embankment, Subgrade.

GEOTEXTILE WALL - ELEVATION
(1"=20' H : 1"=5' V)



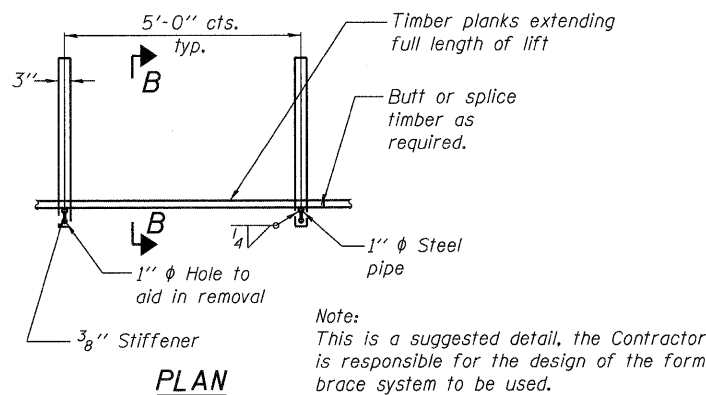
GEOTEXTILE WALL - SECTION A-A

Note:
The geotextile soil reinforcement shall have a minimum allowable tensile strength (T min.) of 130 lb./in. as determined by the procedure described in the Special Provision. The computations supporting the determination of (T min.) shall be submitted to the Engineer for approval.

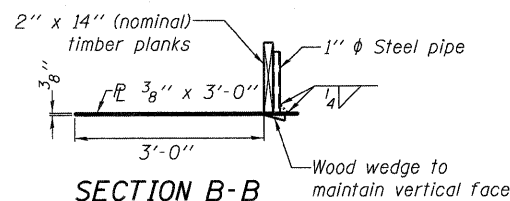


1. Place form brace system on completed reinforcement level; back from the finished fabric face a distance of $\frac{1}{3}$ to $\frac{1}{2}$ the geotextile reinforcement spacing.
2. Position fabric so that the required geotextile re-embedment length extends over the top of the form brace and the design reinforcement width is placed with no slack against the previous level.
3. Compact select fill material in lifts to final lift height, create ($\pm 3'$) depression in zone where re-embedment length will be located and place additional height of compacted select fill against form brace.
4. Fold geotextile re-embedment length back over form brace into zone where depression was made in select fill and place additional select fill ($\pm 3'$) to embed geotextile and bring to final lift height.
5. Pull form brace outward allowing geotextile face to slightly readjust to form tight round face level with plan reinforcement spacing.

GEOTEXTILE WALL CONSTRUCTION SEQUENCE



PLAN



SECTION B-B

TEMPORARY GEOTEXTILE FORM BRACE DETAIL

McDonough Associates Inc.
Engineers / Architects
130 East Randolph Street, Chicago, Illinois 60601

FILE NAME = 0450079-60122-004-Stg.const.dgn

USER NAME = jehhart

DESIGNED - GEK
CHECKED - PMH

REVISED -
REVISED -

PLOT SCALE = 1:8,000
PLOT DATE = 3/20/2012

DRAWN - DF
CHECKED - PMH

REVISED -
REVISED -

STATE OF ILLINOIS
DEPARTMENT OF TRANSPORTATION

STAGED CONSTRUCTION - GEOTEXTILE WALL
STRUCTURE NO. 045-0079

SHEET NO. 4 OF 67 SHEETS

F.A.P. RTE.	SECTION	COUNTY	TOTAL SHEETS	SHEET NO.
347	LY (HB & VB)	DUPAGE/KANE	421	170
CONTRACT NO. 60122				

ILLINOIS FED. AID PROJECT