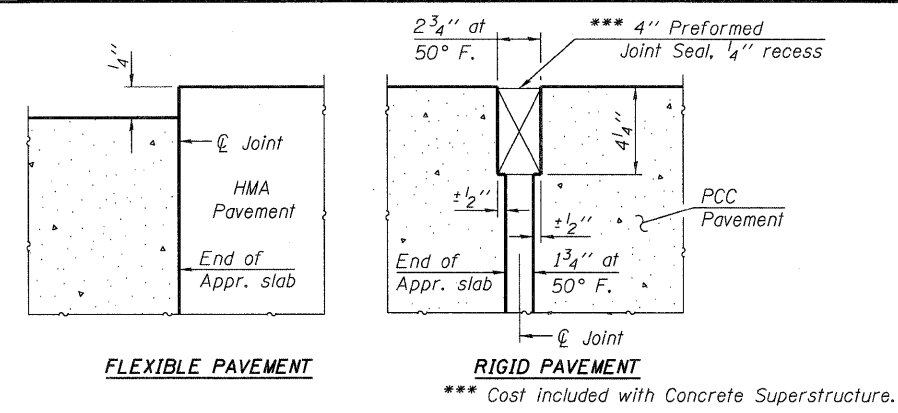
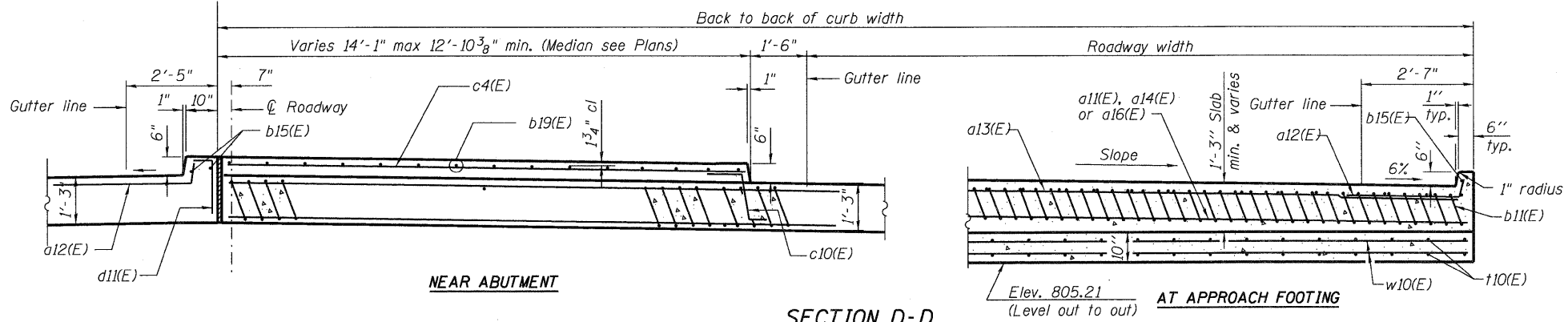


Note: v13(E) bars are billed with abutment on sheet 57.
* Tilt #9 b10(E) bars as required to maintain clearance.

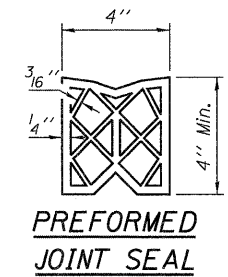
SECTION C-C



DETAIL A

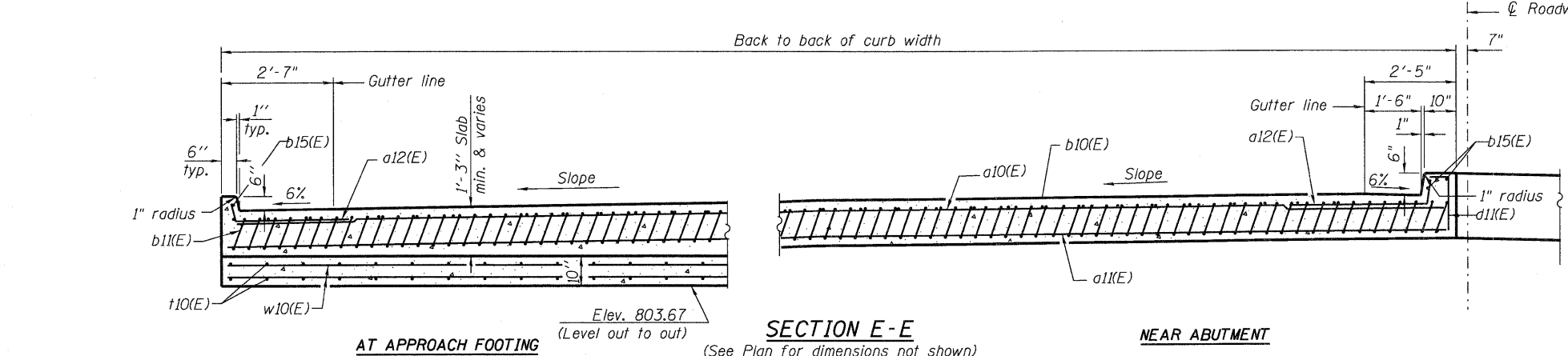
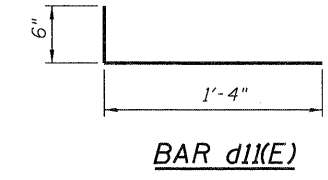
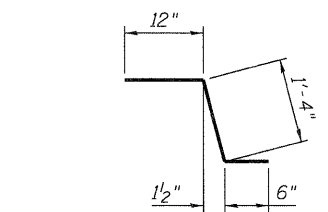
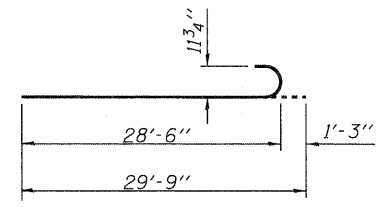
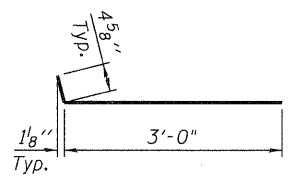


SECTION D-D
(See Plan for dimensions not shown)

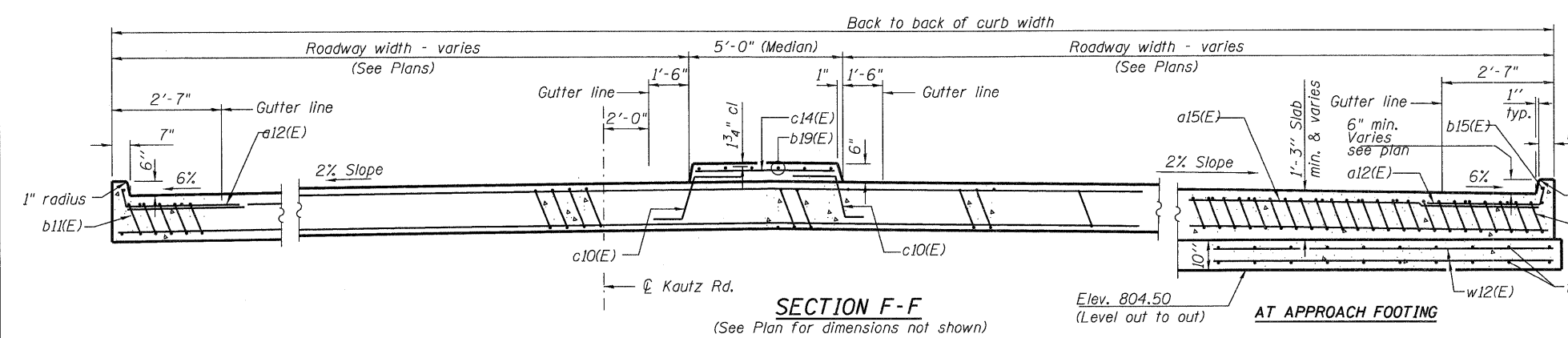


**SOUTH APPROACHES
BILL OF MATERIAL**

Bar	No.	Size	Length	Shape
a10(E)	134	#4	28'-9"	—
a11(E)	248	#5	29'-1"	—
a12(E)	265	#4	3'-5"	—
a13(E)	94	#4	23'-6"	—
a14(E)	174	#5	23'-9"	—
a15(E)	273	#4	28'-3"	—
a16(E)	507	#5	29'-3"	—
b10(E)	359	#4	27'-0"	—
b11(E)	895	#9	29'-9"	—
b12(E)	170	#9	34'-6"	—
b13(E)	27	#4	32'-4"	—
b14(E)	73	#9	35'-7"	—
b15(E)	79	#5	29'-8"	—
b16(E)	90	#4	28'-6"	—
b17(E)	258	#9	28'-6"	—
b19(E)	12	#5	22'-6"	—
c10(E)	145	#5	2'-10"	—
c13(E)	53	#5	13'-9"	—
c14(E)	42	#5	4'-8"	—
d11(E)	128	#5	1'-10"	—
t10(E)	350	#4	9'-10"	—
w10(E)	80	#5	29'-0"	—
w11(E)	80	#5	23'-7"	—
w12(E)	80	#5	38'-1"	—
Concrete Superstructure	Cu. Yd.		643.9	
Concrete Structures	Cu. Yd.		53.1	
Reinforcement Bars, Epoxy Coated	Pound		204,410	



SECTION E-E
(See Plan for dimensions not shown)



SECTION F-F
(See Plan for dimensions not shown)

McDonough Associates Inc.
Engineers / Architects
130 East Randolph Street Chicago, Illinois 60601

Note:
1. For Notes see Sheet 26.