

**ELEVATION**

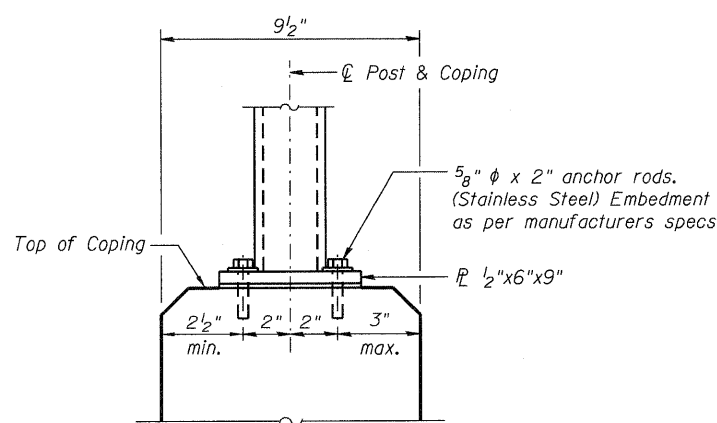
TERMINAL POST	
Section	lb/ft
Pipe Type A 2 3/8" O.D.	3.65

HORIZONTAL BRACES	
Section	lb/ft
Pipe Type A 1 5/8" O.D.	2.27
Pipe Type B 1 5/8" O.D.	1.81

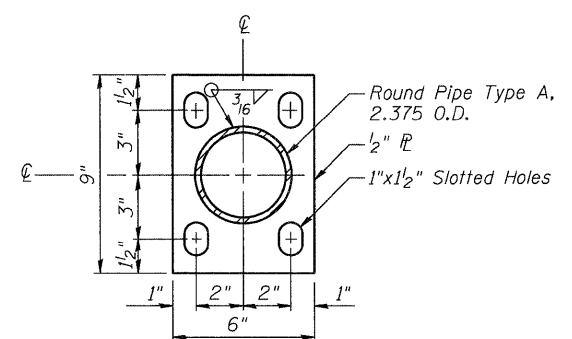
- Notes:**
1. Posts, chain link fence, and attaching hardware shall be according to Section 1006 of the Specifications, except as noted, and will be paid for at the Contract Unit Price per foot for chain link fence.
  2. The 9 gauge fabric ties shall be according to Article 1006.27(d) of the Standard Specifications.
  3. Installation of the chain link fabric shall be according to Section 664 of the Standard Specifications.
  4. All other steel shapes and plates shall conform to the requirements of AASHTO M270 Grade 36.
  5. Stretcher bars shall be used at all end posts.
  6. Space reinforcement to miss anchor rods.
  7. All steel rail elements shall be galvanized according to Article 509.05 of the Standard Specifications.
  8. Vent holes for galvanizing shall be placed in the posts and rails at locations that will not allow the accumulation of moisture in the members.
  9. The chain link fabric shall conform to the requirements of Article 1006.27(a)(1)a, of the Standard Specifications.

**FENCE POST SPACING**

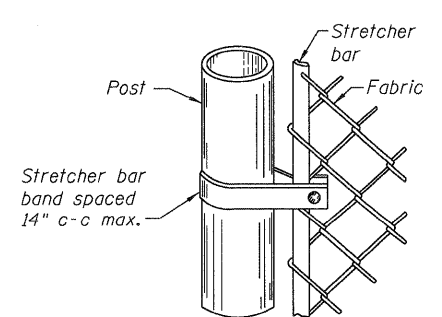
Location	A	B	C	D
NE Wingwall	10'-0"	8 spa. at 9'-0" = 72'-0"	3 spa. at 9'-0" = 27'-0"	6'-7"
NW Wingwall	9'-6"	17 spa. at 9'-6" = 161'-5"	9'-2"	-
SE Wingwall	2 spa. at 6'-3" = 12'-6"	17 spa. at 10'-0" = 170'-0"	8'-8"	-
SW Wingwall	10'-0"	10 spa. at 9'-6" = 95'-0"	6'-11"	-



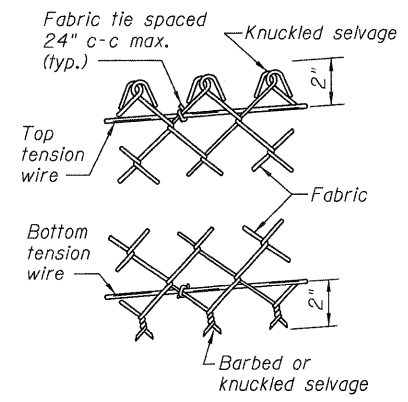
**CONNECTION DETAILS**



**BASE P**



**METHOD OF FASTENING STRETCHER BAR TO POST**



**METHOD OF TYING FABRIC TO TENSION WIRES**

**BILL OF MATERIAL**

Item	Unit	Quantity
Chain Link Fence, 8'	Foot	610

**McDonough Associates Inc.**  
 Engineers / Architects  
 130 East Randolph Street Chicago, Illinois 60601