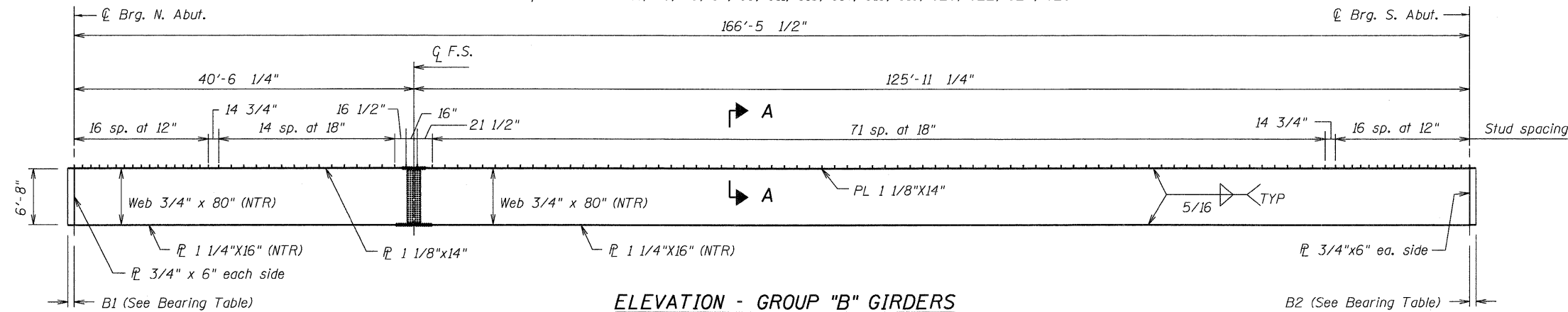


ELEVATION - GROUP "A" GIRDERS

Group A Girders: G1, G3, G5, G7, G9, G11, G13, G14, G16, G18, G20, G22, G24, G26



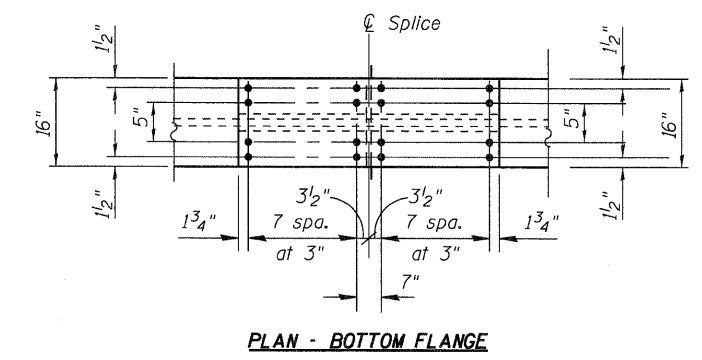
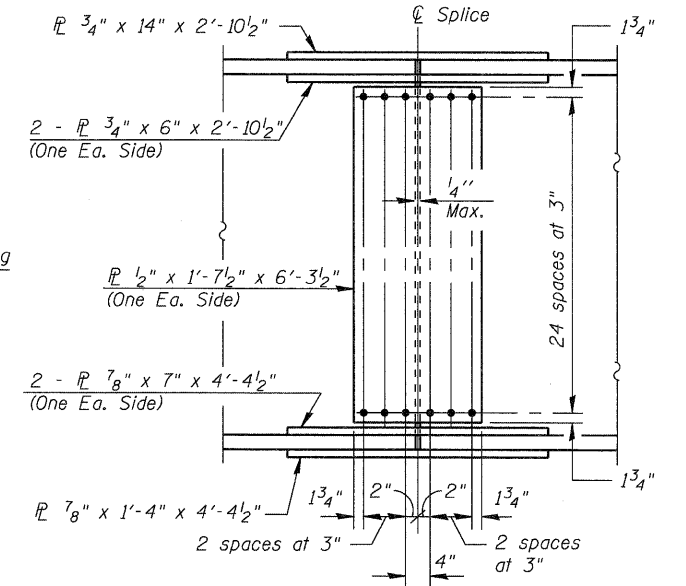
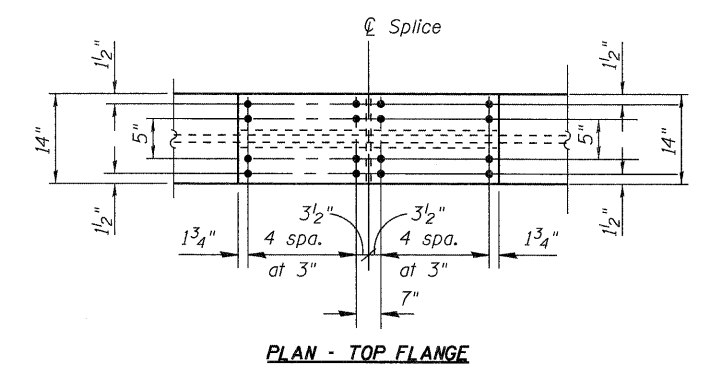
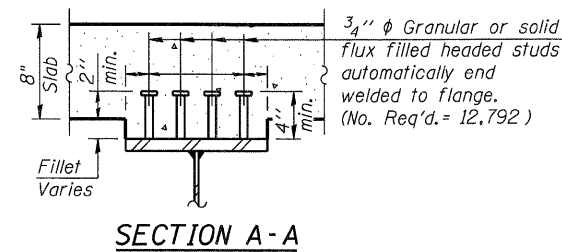
ELEVATION - GROUP "B" GIRDERS

Group B Girders: G2, G4, G6, G8, G10, G12, G15, G17, G19, G21, G23, G25

"NTR" denotes plates to which notch toughness requirements are applicable.

BEARING TABLE

GIRDER	NORTH ABUTMENT BEARINGS		SOUTH ABUTMENT BEARINGS	
	TYPE	B1	TYPE	B2
G1	Elastomeric Type I	9"	Elastomeric Type II	10"
G2	"	9"	"	10"
G3	"	9"	"	10"
G4	"	9"	"	10"
G5	"	9"	"	10"
G6	"	9"	"	10"
G7	"	9"	"	10"
G8	"	9"	"	10"
G9	"	9"	"	10"
G10	Low Profile Fixed	5 1/2"	"	10"
G11	"	5 1/2"	"	10"
G12	"	5 1/2"	"	10"
G13	"	5 1/2"	"	10"
G14	"	5 1/2"	Elastomeric Type I	9"
G15	"	5 1/2"	"	9"
G16	"	5 1/2"	"	9"
G17	"	5 1/2"	"	9"
G18	Elastomeric Type I	9"	"	9"
G19	"	9"	"	9"
G20	"	9"	"	9"
G21	"	9"	"	9"
G22	"	9"	"	9"
G23	"	9"	"	9"
G24	"	9"	"	9"
G25	"	9"	"	9"
G26	"	9"	"	9"



FIELD SPLICE DETAILS

Notes:
 All structural steel shall be AASHTO M270 Grade 50W.
 NTR indicates Notch Toughness Requirements.
 All splice plates shall comply with N.T.R.
 Load carrying components designated "NTR" shall conform to the Supplemental Requirements for Notch Toughness, Zone 2.

McDonough Associates Inc.
 Engineers / Architects
 130 East Randolph Street, Chicago, Illinois 60601

FILE NAME = 0450079-60122-038-Girder_Details.dgn	USER NAME = jehrhart	DESIGNED - KJH	REVISD -	STATE OF ILLINOIS DEPARTMENT OF TRANSPORTATION	GIRDER DETAILS STRUCTURE NO. 045-0079	F.A.P. RTE. 347	SECTION LY (HB & VB)	COUNTY DUPAGE/KANE	TOTAL SHEETS 421	SHEET NO. 204
PLOT SCALE = 1:8,000	DRAWN - AMV	REVISD -	SHEET NO. 38 OF 67 SHEETS			CONTRACT NO. 60122				
PLOT DATE = 3/28/2012	CHECKED - KJH	REVISD -	ILLINOIS FED. AID PROJECT							