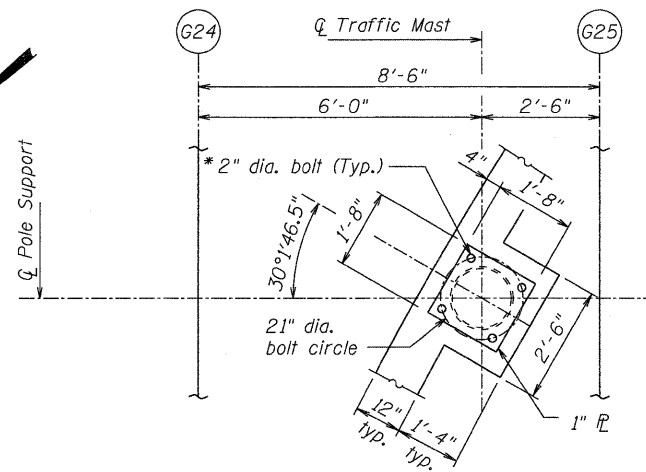
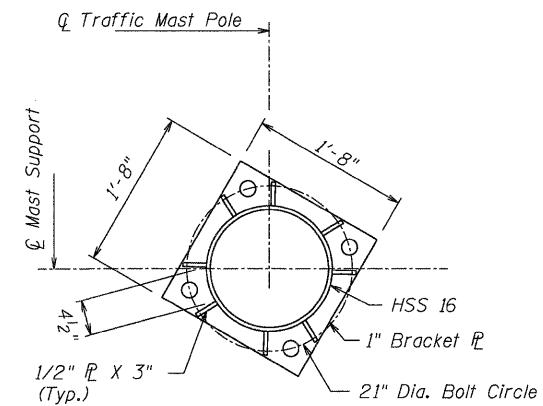


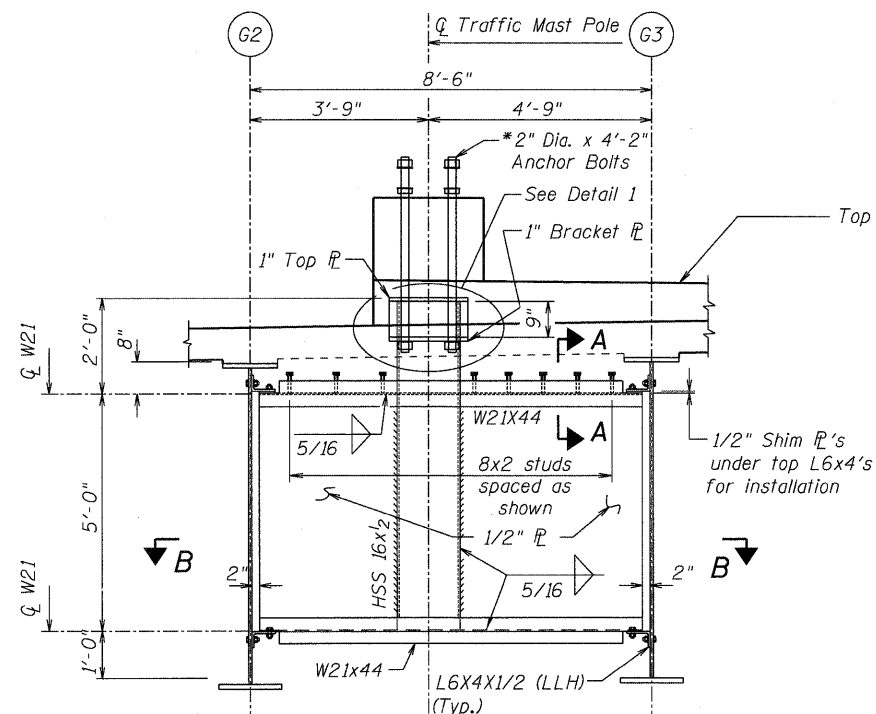
WESTBOUND PLAN - TOP PLATE



EASTBOUND PLAN - TOP PLATE



PLAN - BRACKET

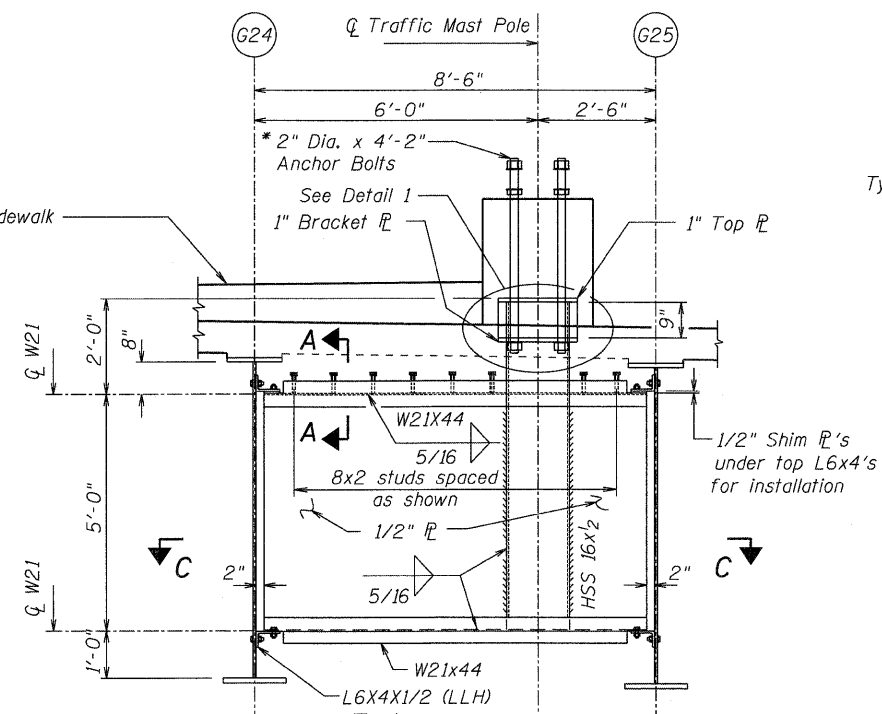


ELEVATION

SECTION B-B

WESTBOUND SUPPORT DETAIL

* Anchor bolts shall be ASTM F 1554 Grade 105 steel (galv.).
Cost included with Concrete Superstructure.

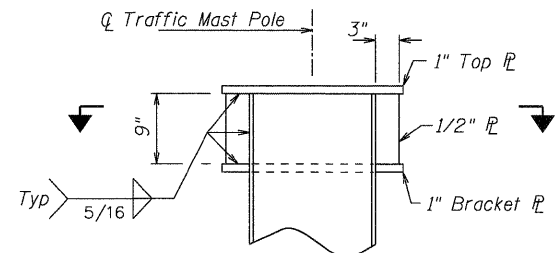


ELEVATION

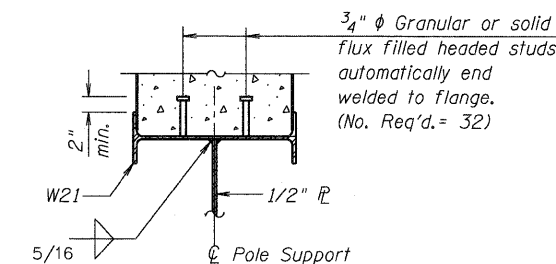
SECTION C-C

EASTBOUND SUPPORT DETAIL

* Anchor bolts shall be ASTM F 1554 Grade 105 steel (galv.).
Cost included with Concrete Superstructure.



DETAIL 1



SECTION A-A

McDonough Associates Inc.
Engineers / Architects
130 East Randolph Street Chicago, Illinois 60601

FILE NAME =	0450079-60122-041-Light.Pole.dgn
USER NAME =	jehrhart
PLOT SCALE =	1:2
PLOT DATE =	3/20/2012

DESIGNED -	KJH
CHECKED -	PMH
DRAWN -	AMV
CHECKED -	KJH

REVISED -	
REVISED -	
REVISED -	
REVISED -	

STATE OF ILLINOIS
DEPARTMENT OF TRANSPORTATION

TRAFFIC POLE SUPPORT DETAILS
STRUCTURE NO. 045-0079
SHEET NO. 41 OF 67 SHEETS

F.A.P. RTE.	SECTION	COUNTY	TOTAL SHEETS	SHEET NO.
347	LY (HB & VB)	DUPAGE/KANE	421	207
CONTRACT NO. 60122				
ILLINOIS FED. AID PROJECT				