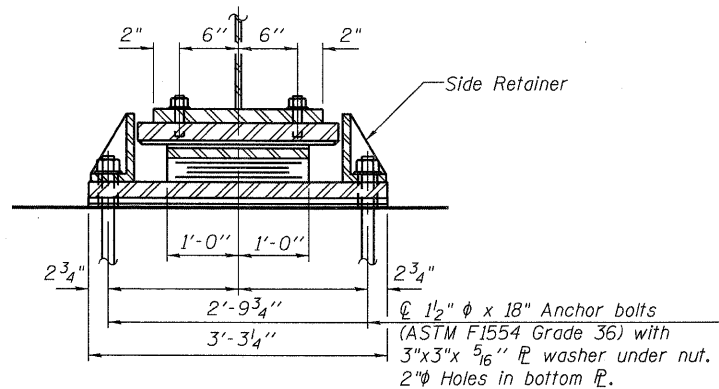


ELEVATION AT ABUT.

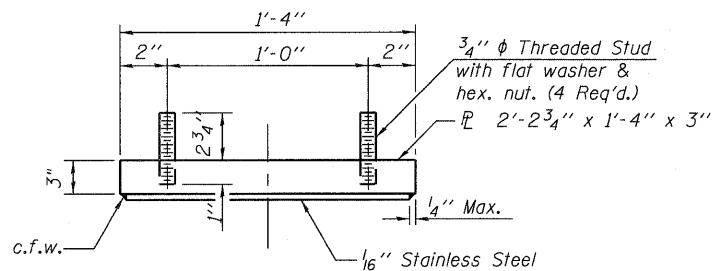
1/8" elastomeric neoprene leveling pad according to the material properties of Article 1052.02(a) of the Standard Specifications. Cost included with Elastomeric Bearing Assembly Type II.



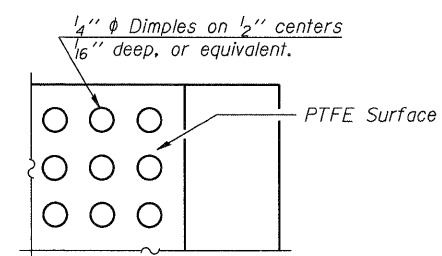
SECTION A-A

Side Retainer
 1/2" x 18" Anchor bolts (ASTM F1554 Grade 36) with 3"x3"x 5/16" P washer under nut. 2" Holes in bottom P.

TYPE II ELASTOMERIC EXP. BRG.



TOP BEARING ASSEMBLY



PLAN-PTFE SURFACE

SHIM P THICKNESS TABLE

Location	G11	G12
South Abutment	1/2"	3/8"

Notes:
 Anchor bolts shall be ASTM F1554 all-thread (or an Engineer-approved alternate material) of the grade(s) and diameter(s) specified. ASTM A307 Grade C anchor bolts may be used in lieu of ASTM F1554 Grade 36 (Fy=36ksi). The corresponding specified grade of AASHTO M314 anchor bolts may be used in lieu of ASTM F1554.

Anchor bolts for Type II bearings shall be placed in holes drilled in the concrete through holes in the bottom bearing plate after members are in place. Side retainers shall be placed after bolts are installed.

Drilled and set anchor bolts shall be installed according to Article 521.06 of the Standard Specifications.

Side retainers and other steel members required for the elastomeric bearing assembly shall be included in the cost of Elastomeric Bearing Assembly, Type II.

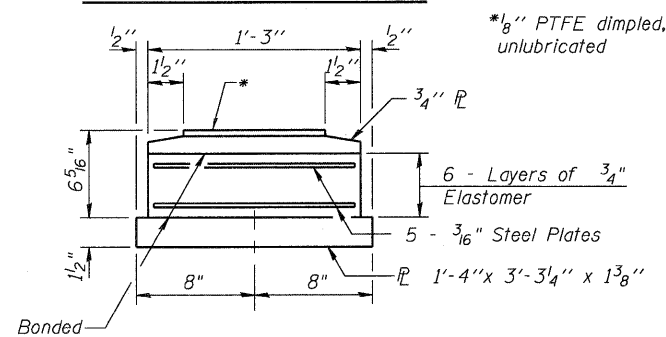
The 1/8" PTFE sheet shall be bonded directly to the top steel plate with a two-component, medium viscosity epoxy resin, conforming to the requirements of the Federal Specification MMM-A-134, Type I. The bond agent shall be applied on the full area of the contact surfaces.

Bonding of 1/8" PTFE sheet during vulcanizing process will be permitted provided the process and method of adjusting assembly height is approved by the Engineer.

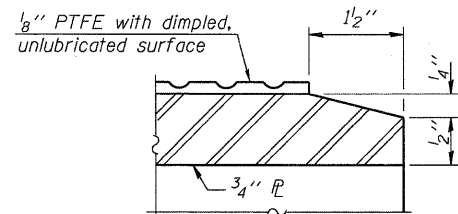
Clip bearing plates as required on front face of abutment.

The structural steel plates of the Bearing Assembly shall conform to the requirements of Grade 50W.

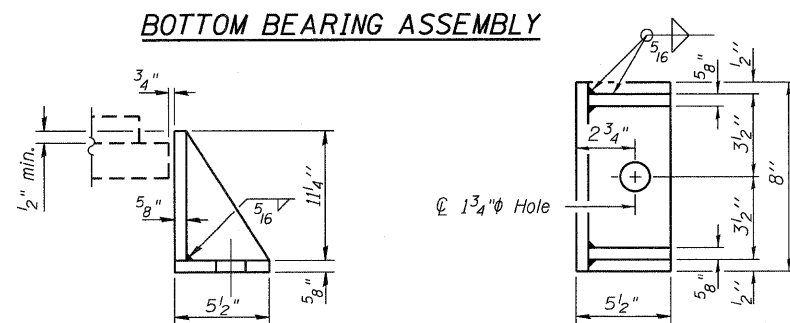
See sheet 38 for location of Type II Elastomeric Bearings.



BOTTOM BEARING ASSEMBLY

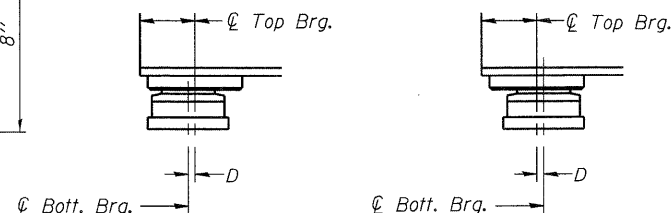


SECTION THRU PTFE



SIDE RETAINER

Equivalent rolled angle with stiffeners will be allowed in lieu of welded plates.



BELOW 50°F.

(Move bott. brg. away from fixed brg.)

ABOVE 50°F.

(Move bott. brg. toward fixed brg.)

SETTING ANCHOR BOLTS AT EXP. BRG.

D=1/8" per each 100' of expansion for every 15° temp. change from the normal temp. of 50°F.

BILL OF MATERIAL

Item	Unit	Total
Elastomeric Bearing Assembly, Type II	Each	13
Anchor Bolts, 1/2"	Each	26