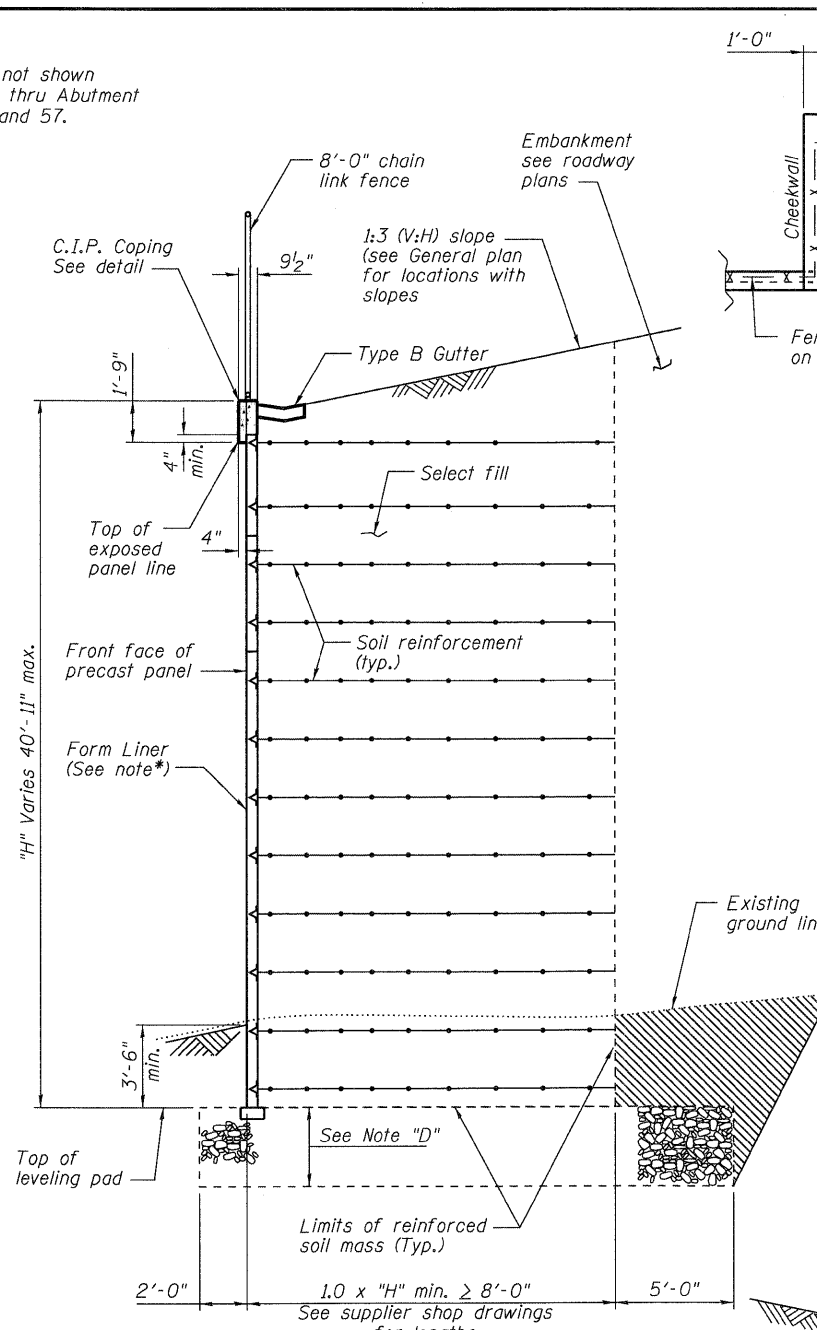


**SECTION A-A**  
**TYPICAL WALL SECTION THRU ABUTMENT**

**Note "A"**  
 Piles shall be driven in precored holes prior to placement of reinforced select fill and coated with coal tar epoxy from the bottom of the select fill to 1" above base of the abutment. The cost of the coal tar epoxy coating shall be included with the cost of Furnishing Metal Shell Piles 14" X 0.250".

**Note "B"**  
 The MSE wall supplier shall design the abutment soil reinforcement to resist a horizontal force of 4 kips/ft of abutment.

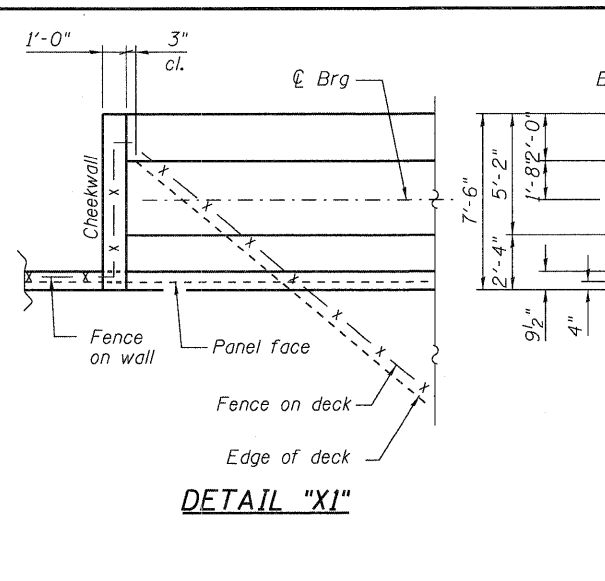
**\*Form Liner Note:**  
 Form liner for walls included in the cost of Mechanically Stabilized Earth Retaining Wall. See special provision for Form liner Textured Surface.



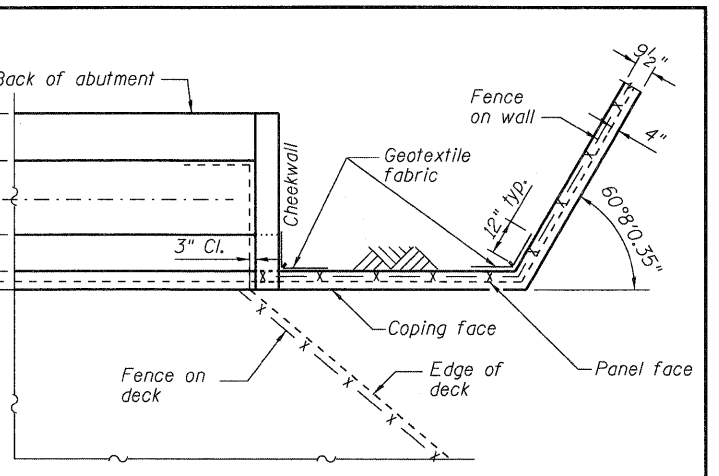
**SECTION B-B**  
**TYPICAL WALL SECTION AT WINGWALL**

**Note "C"**  
 Overexcavation beyond structure excavation and removal of unsuitable material. This area not measured for payment. Backfill overexcavation with same material used for select fill used in MSE wall.

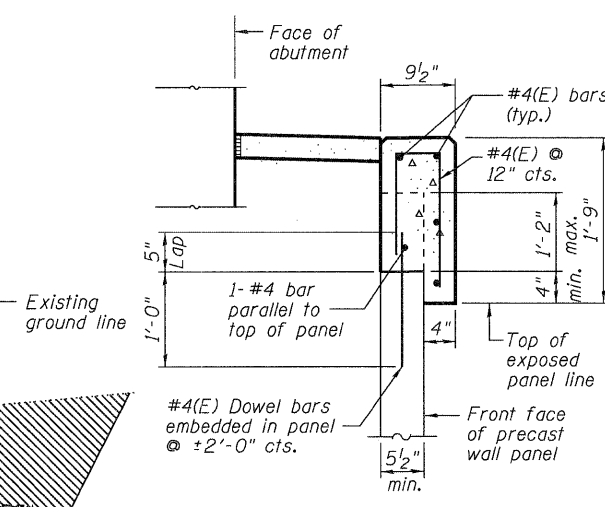
**Note "D"**  
 Limits of Removal of Unsuitable Material as indicated in the geotechnical report. Backfill with Porous Granular Embankment, Subgrade. See Elevation view for limits.



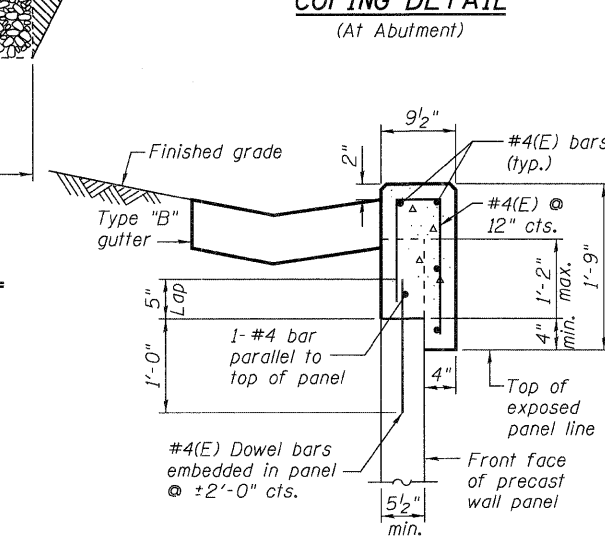
**DETAIL "X1"**



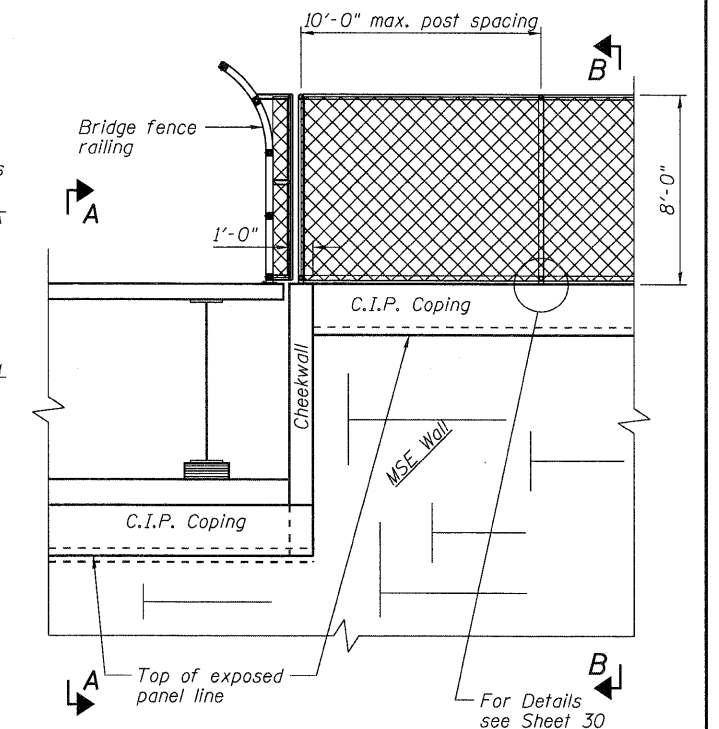
**DETAIL "X2"**



**COPING DETAIL**  
 (At Abutment)



**COPING DETAIL**  
 (At Wingwall)



**DETAIL "Y"**

FILE NAME =	USER NAME = jehhart	DESIGNED - JCE	REVISED -
0450079-60122-047-Abut.MSE_3.dgn		CHECKED - KJH	REVISED -
		DRAWN - AMV	REVISED -
		CHECKED - KJH	REVISED -

PLOT SCALE = 1:4	
PLOT DATE = 3/28/2012	

DESIGNED - JCE	REVISED -
CHECKED - KJH	REVISED -
DRAWN - AMV	REVISED -
CHECKED - KJH	REVISED -

DESIGNED - JCE	REVISED -
CHECKED - KJH	REVISED -
DRAWN - AMV	REVISED -
CHECKED - KJH	REVISED -

**STATE OF ILLINOIS**  
**DEPARTMENT OF TRANSPORTATION**

**NORTH & SOUTH ABUTMENTS - MSE WALL DETAILS**  
**STRUCTURE NO. 045-0079**

SHEET NO. 47 OF 67 SHEETS

F.A.P. RTE. 347	SECTION LY (HB & VB)	COUNTY DUPAGE/KANE	TOTAL SHEETS 421	SHEET NO. 213
			CONTRACT NO. 60122	
ILLINOIS FED. AID PROJECT				