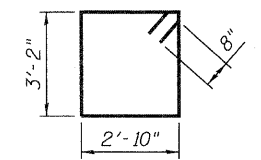
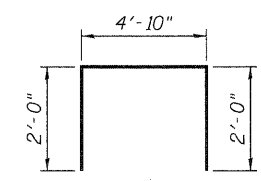


BILL OF MATERIAL

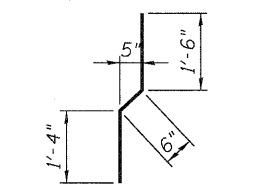
Bar	No.	Size	Length	Shape	
h1(E)	42	#5	29'-10"		
h2(E)	84	#5	31'-10"		
h3(E)	42	#5	30'-9"		
h4(E)	105	#5	16'-11"		
h5(E)	15	#6	30'-4"		
h6(E)	30	#6	32'-4"		
h7(E)	15	#6	31'-4"		
h8(E)	60	#5	7'-2"		
h9(E)	12	#5	14'-2"		
h20(E)	3	#5	26'-7"		
h21(E)	3	#5	18'-0"		
h24(E)	18	#5	4'-8"		
p1(E)	48	#8	32'-5"		
p12(E)	96	#8	34'-6"		
p13(E)	48	#8	33'-5"		
p14(E)	12	#7	30'-8"		
p15(E)	24	#7	32'-7"		
p16(E)	12	#7	31'-5"		
s1(E)	638	#6	13'-4"		
u1(E)	245	#5	8'-10"		
v1(E)	345	#5	9'-8"		
v2(E)	345	#4	3'-4"		
v3(E)	345	#5	3'-9"		
v4(E)	345	#5	11'-2"		
v5(E)	36	#5	11'-4"		
v6(E)	26	#5	7'-7"		
v19(E)	2	#5	9'-9"		
Concrete Structures				Cu. Yd.	441.8
Reinforcement Bars, Epoxy Coated				Pound	56,700
Furnishing Metal Shell Piles 14" X 0.250"				Foot	8,772
Driving Piles				Foot	8,772
Test Pile Metal Shells				Each	3
Concrete Sealer				Sq. Ft.	4,760
Mechanically Stabilized Earth Retaining Wall				Sq. Ft.	17,876
Removal and Disposal of Unsuitable Material for Structures				Cu. Yd.	665



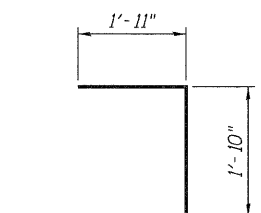
BAR s1(E)



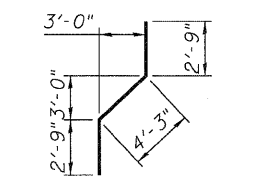
BAR u1(E)



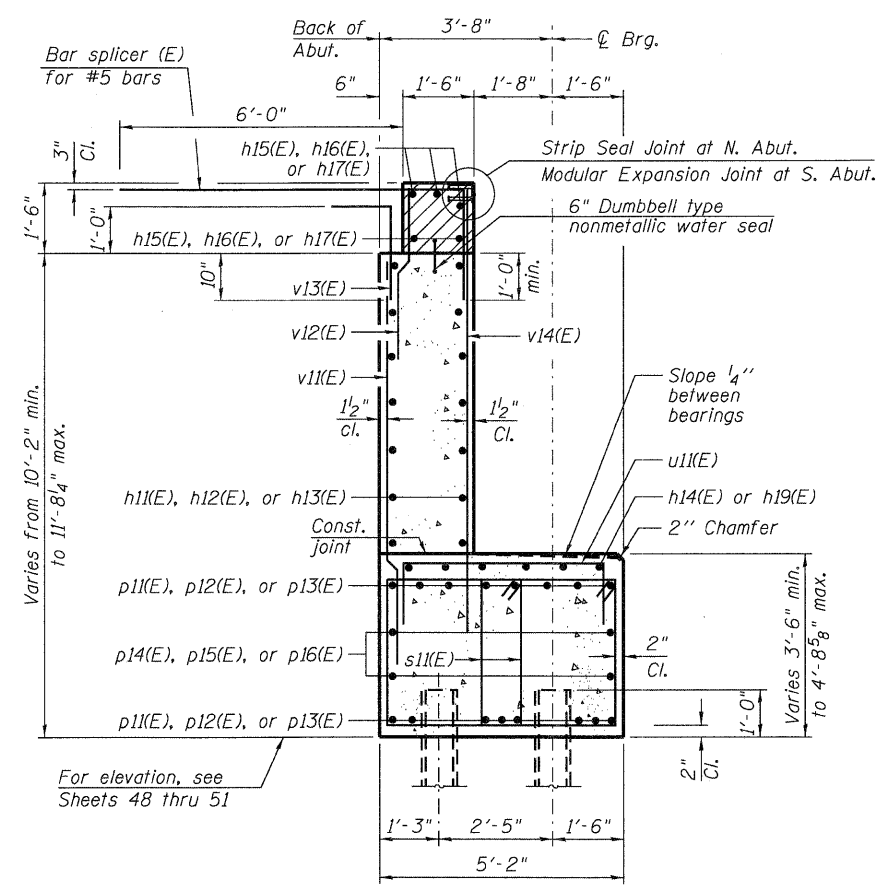
BAR v12(E)



BAR v13(E)

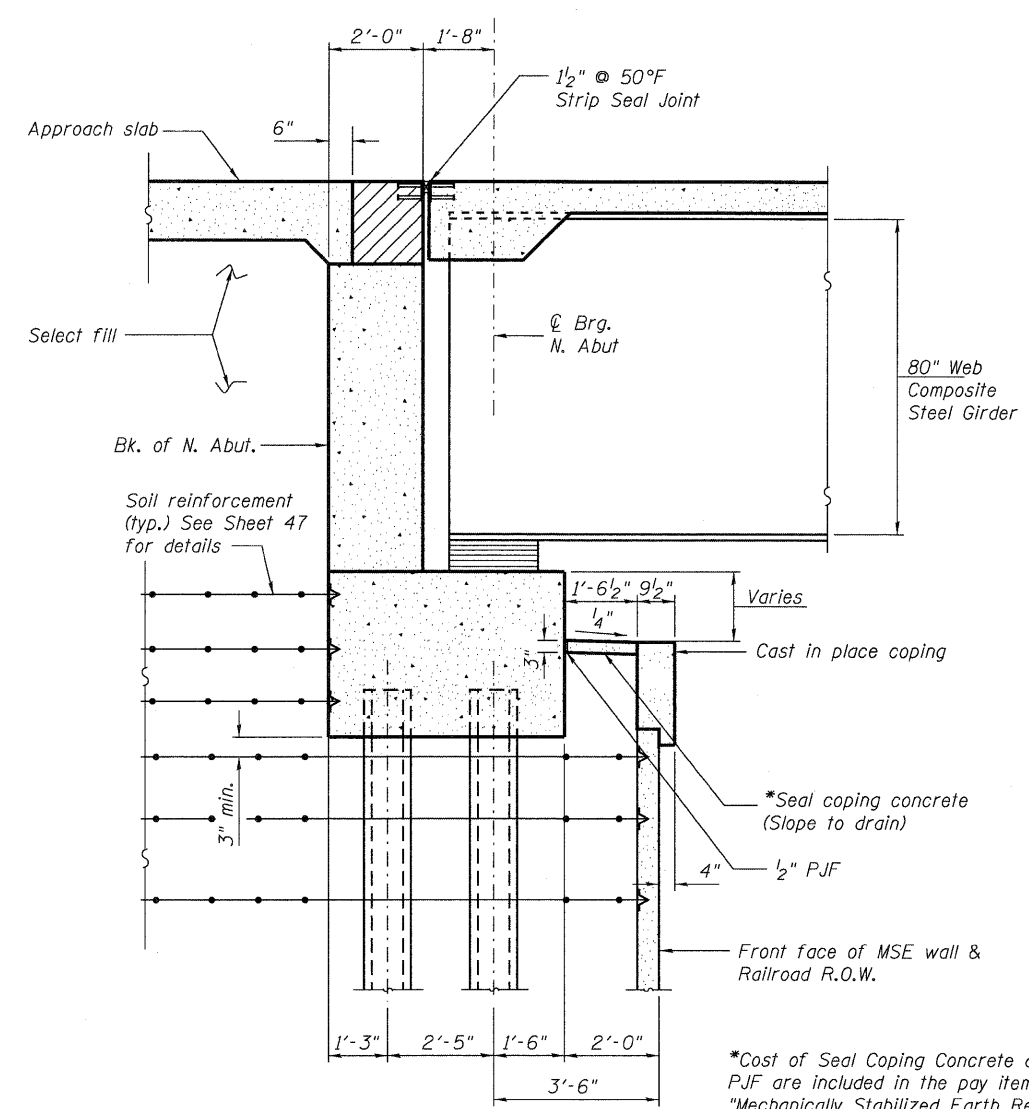


BAR v19(E)



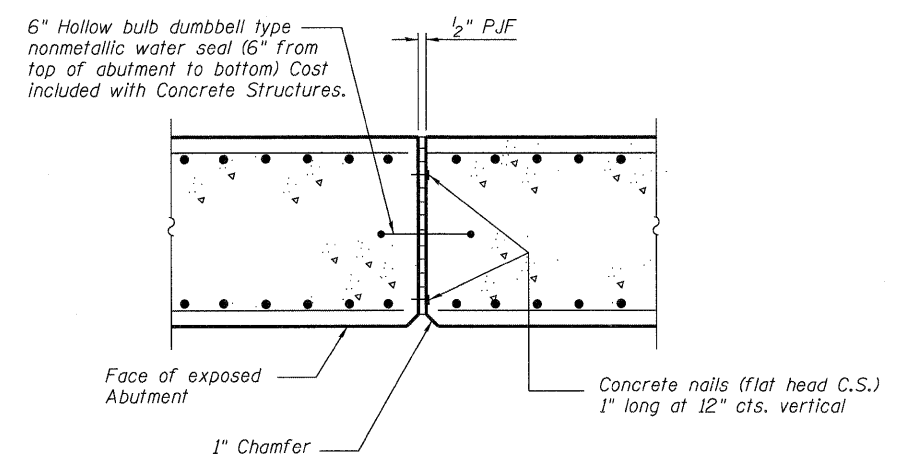
SECTION THRU ABUTMENT
Showing Reinforcement Bars

Note:
Soil reinforcement and coping are not shown see "Section thru Abutment Showing reinforcement and Coping" for details.



SECTION THRU ABUTMENT
Showing Soil Reinforcement and Coping

*Cost of Seal Coping Concrete and P/JF are included in the pay item of "Mechanically Stabilized Earth Retaining Wall".



EXPANSION JOINT DETAIL

McDonough Associates Inc.
Engineers / Architects
130 East Randolph Street, Chicago, Illinois 60601

FILE NAME = 0450079-60122-052-Abut_N5.dgn	USER NAME = jehrhart	DESIGNED - MJL	REVISIONS -	STATE OF ILLINOIS DEPARTMENT OF TRANSPORTATION	NORTH ABUTMENT DETAILS STRUCTURE NO. 045-0079	F.A.P. RTE. 347	SECTION LY (HB & VB)	COUNTY DUPAGE/KANE	TOTAL SHEETS 421	SHEET NO. 218	
PLOT SCALE = 1:4	DRAWN - RJ	REVISIONS -	SHEET NO. 52 OF 67 SHEETS			CONTRACT NO. 60122					
PLOT DATE = 3/28/2012	CHECKED - PMH	REVISIONS -	ILLINOIS FED. AID PROJECT								