

SCOPE OF WORK

1. Partial depth slab repairs.
2. Scarify 3/4" bridge deck slab surface.
3. Reconstruction of transverse joints.
4. Place 2 1/4" latex concrete overlay.
5. Patch & overlay approaches.
6. Structural repairs of concrete to substructures.
7. Full depth slab repairs.
8. Remove and replace approach inlets and 12" dia. CMP.
9. Remove existing bridge deck drains w/11 6" ϕ (4) and replace (2).

INDEX OF SHEETS

1. General Plan and Elevation
2. Slope Construction Details
3. Deck and Approach Slab Repair Plan
4. Deck and Approach Slab Repair Details
5. Substructure Repairs

GENERAL NOTES

Plan dimensions and details relative to existing plans are subject to nominal construction variations. The Contractor shall field verify existing dimensions and details affecting new construction and make necessary approved adjustments prior to construction or ordering of materials. Such variations shall not be cause for additional compensation for a change in scope of the work, however the Contractor will be paid for the quantity actually furnished at the unit price bid for the work.

Reinforcement bars designated (C) shall be epoxy coated.

DESIGN SPECIFICATIONS

2002 AASHTO Standard Specifications for Highway Bridges, 17th Edition

DESIGN STRESSES

$f'_c = 3,500$ psi
 $f_y = 60,000$ psi

LOADING HS20-44

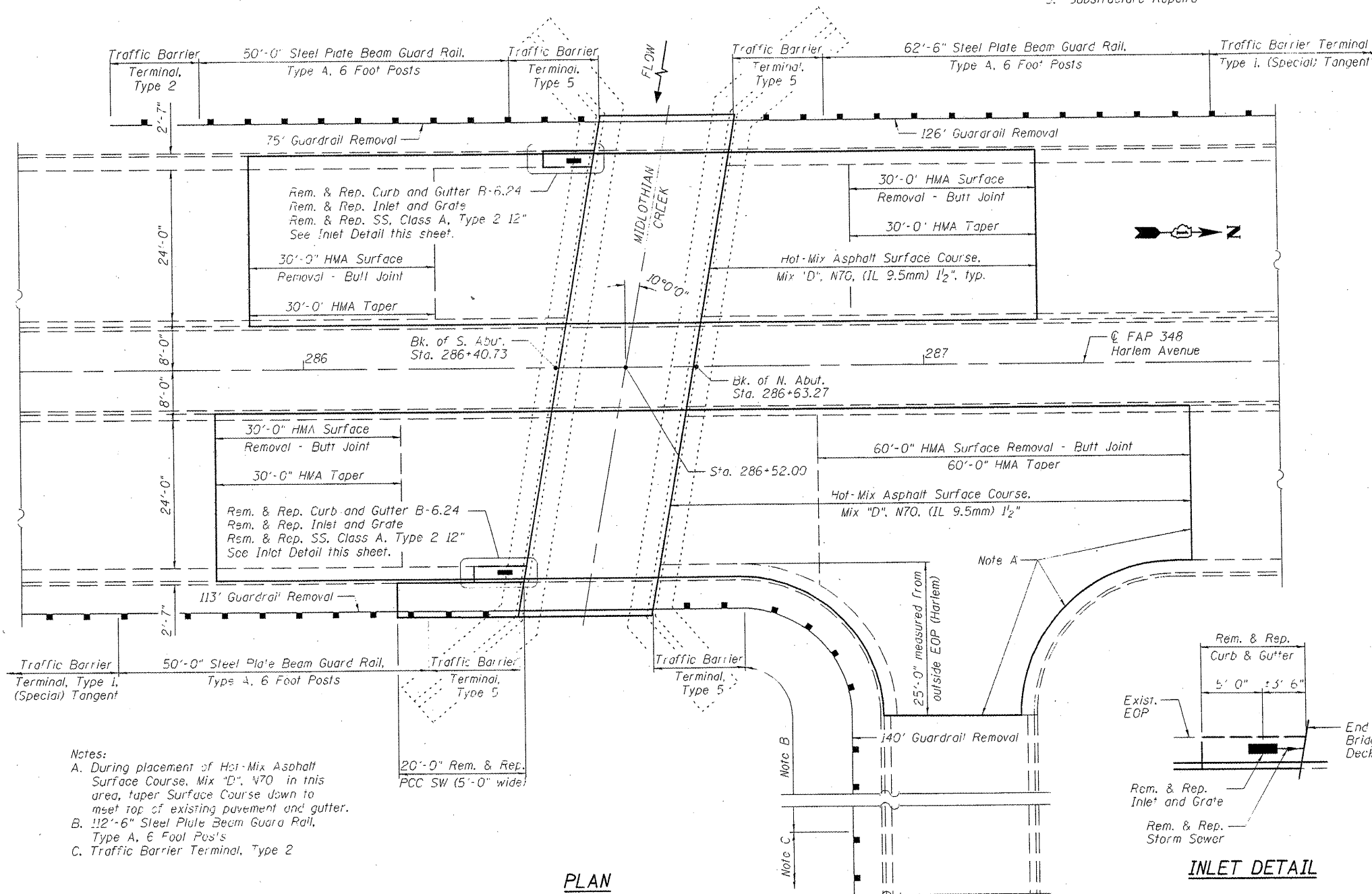
Original Construction

TOTAL BILL OF MATERIAL

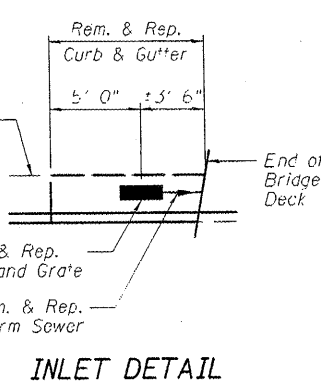
ITEM	UNIT	SUPER	SUB	TOTAL
Deck Slab Repair (Partial) *	Sq. Yd.	40		40
Deck Slab Repair (Full Depth, Type II)	Sq. Yd.	4		4
Approach Slab Repair (Partial Depth)	Sq. Yd.	22		22
Bridge Deck Grooving	Sq. Yd.	120		120
Bridge Deck Scarification 3/4"	Sq. Yd.	130		130
Bridge Deck Latex Concrete Overlay, 2 1/4"	Sq. Yd.	124		124
Combination Curb and Gutter Removal	Foot	17		17
Combination Concrete Curb and Gutter, Type B-6.24	Foot	17		17
Hot-Mix Asphalt Surface Course, Mix "D", N70	Ton	73		73
Protective Coat	Sq. Yd.	74		74
Structural Repair of Concretes (Depth Equal To or Less Than 5 inches)	Sq. Ft.		92	92
Hot-Mix Asphalt Surface Removal - Butt Joint	Sq. Yd.	483		483
Sidewalk Removal	Sq. Ft.	100		100
Portland Cement Concrete Sidewalk 5 Inch	Sq. Ft.	100		100
Storm Sewer, Class A, Type 2 1/2"	Foot	8		8
Inlet, Type A, Type 24 Frame and Grate	Each	2		2
Floor Drains	Each	2		2
Removing Inlets	Each	2		2
Silicone Joint Sealer	Foot	22		22
Polymer Concrete	Cu. Ft.	10.4		10.4
Bituminous Materials (Prime Coat)	Gallon	83		83
Guardrail Removal	Foot	454		454
Steel Plate Beam Guard Rail, Type A, 6 Foot Posts	Foot	275		275
Traffic Barrier Terminal, Type 1 (Special) Tangent	Each	2		2
Traffic Barrier Terminal, Type 2	Each	2		2
Traffic Barrier Terminal, Type 5	Each	1		1

* For Information Only

**GENERAL PLAN AND ELEVATION
 IL 43 (HARLEM AVENUE)
 OVER MIDLOTHIAN CREEK
 F.A.P. RT. 348 - SEC. 3127-2-SB-1
 COOK COUNTY
 STATION 286+52.00
 STRUCTURE NO. 016-0963**



- Notes:**
1. During placement of Hot-Mix Asphalt Surface Course, Mix "D", N70 in this area, taper Surface Course down to meet top of existing pavement and gutter.
 2. 112'-6" Steel Plate Beam Guard Rail, Type A, 6 Foot Posts
 3. Traffic Barrier Terminal, Type 2



USER NAME	DESIGNED - BRT	REVISIONS
PLOT SCALE - 1"=10'	CHECKED - BJM	REVISIONS
PLOT DATE - 3/27/2012	DRAWN - CEY	REVISIONS
	CHECKED - BJM	REVISIONS

**STATE OF ILLINOIS
 DEPARTMENT OF TRANSPORTATION**

**GENERAL PLAN AND ELEVATION
 STRUCTURE NO. 016-0963
 SHEET NO. 1 OF 5 SHEETS**

F.A.P. RTE. 348	SECTION 3127-2-SB-1	COUNTY COOK	TOTAL SHEETS 19	SHEET NO. 8
ILLINOIS FED. AID PROJECT			CONTRACT NO. 60M71	

3/27/2012 1:39:22 PM G:\ENGIN\B-5324\B2-D1-Vo-1000-Structure\TASK-DIGESTS\TASK-DIGESTS\TASK-DIGESTS\Structure\Sheet\016-0963-1-SB-01.dgn