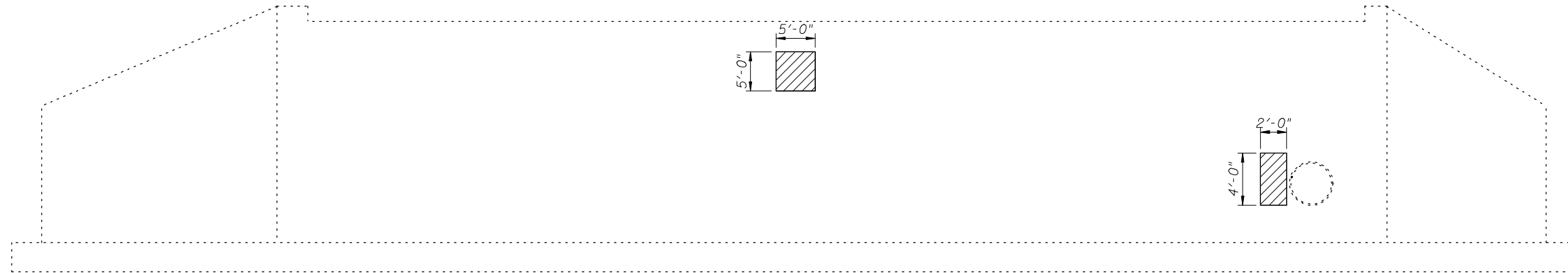
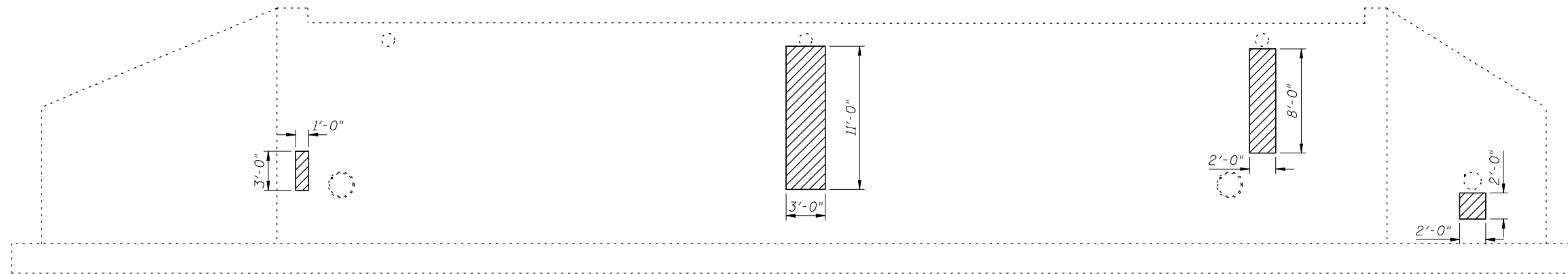




EAST RAILING ELEVATION



NORTH ABUTMENT ELEVATION

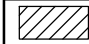


SOUTH ABUTMENT ELEVATION

NOTE

The limits and locations of repair shown on this sheet are taken from the most recent survey performed by the District in March 2009.

BILL OF MATERIAL

SYMBOL	ITEM	UNIT	QUANTITY
	Structural Repair of Concrete (Depth Equal To or Less Than 5 Inches)	Sq. Ft.	92

3/27/2012 1:34:32 PM G:\ENR\06-5324-02 D1 Various Structure\TASK ORDERS\TK-1L\Harlem\CAD\Structure\Shd\DI60M71-Shd-Concrete Repair.dgn



USER NAME =	DESIGNED - BRT	REVISED -
	CHECKED - BJM	REVISED -
PLOT SCALE = 1"=5'	DRAWN - CEY	REVISED -
PLOT DATE = 3/27/2012	CHECKED - BJM	REVISED -

**STATE OF ILLINOIS
DEPARTMENT OF TRANSPORTATION**

**STRUCTURE REPAIRS
STRUCTURE NO. 016-0963**

SHEET NO. 5 OF 5 SHEETS

F.A.P. RTE.	SECTION	COUNTY	TOTAL SHEETS	SHEET NO.
348	3127-2-SB-1	COOK	19	12
CONTRACT NO. 60M71				

ILLINOIS FED. AID PROJECT