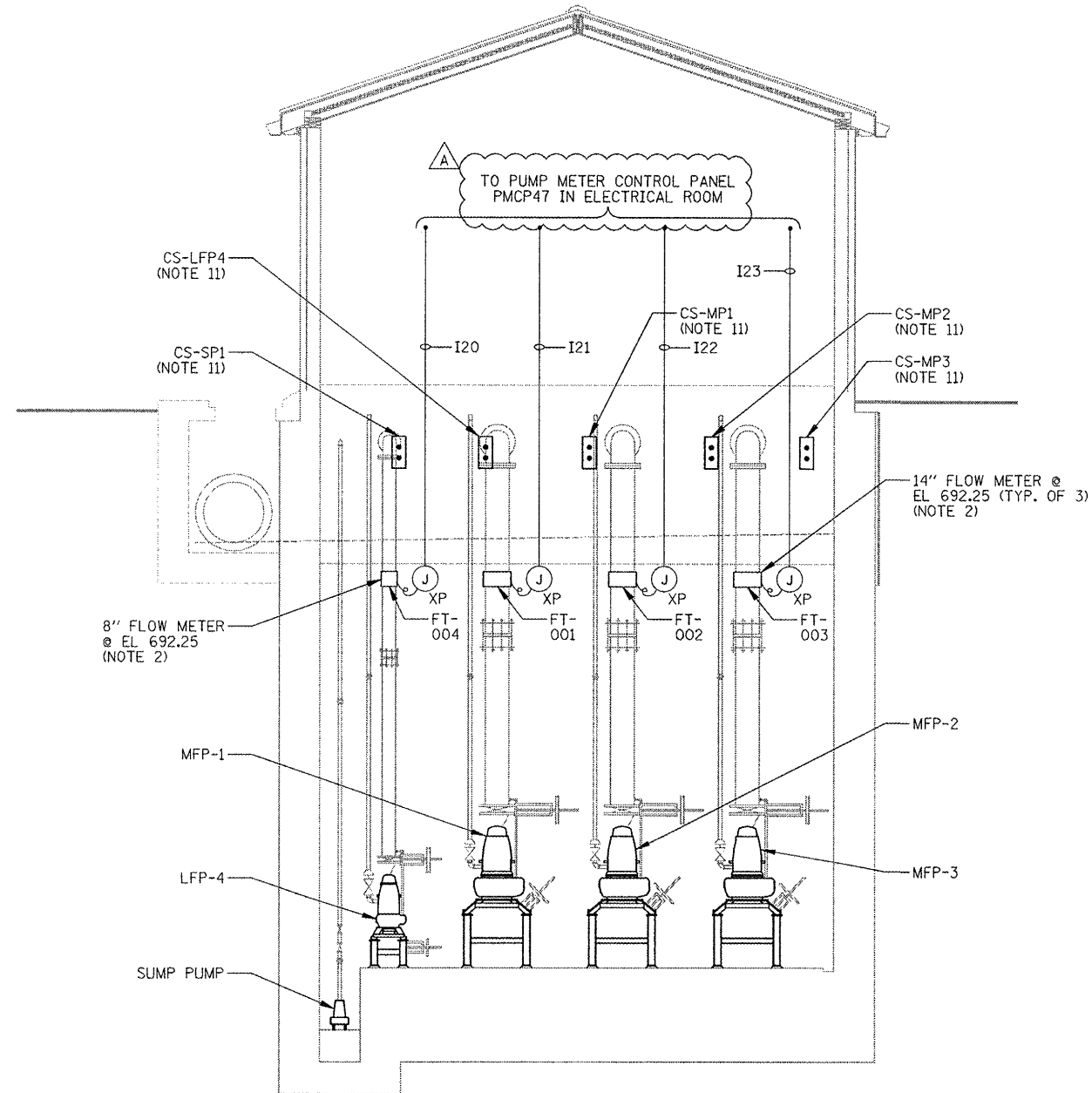
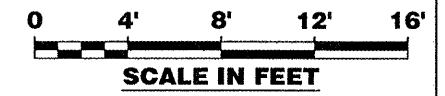


NOTES:

1. SEE SHEETS GI-1 AND GI-2 FOR INSTRUMENTATION SYMBOL LIST, ABBREVIATIONS, AND GENERAL NOTES.
2. REFER TO MECHANICAL DRAWING M4 FOR ADDITIONAL DETAILS.
3. PROVIDE EXPLOSION-PROOF SEAL-OFF FITTINGS ON ALL CONDUIT EXITING CLASSIFIED OR RATED LOCATIONS. FITTINGS SHALL BE INSTALLED IN THE CLASSIFIED OR RATED LOCATION.
4. ALL EQUIPMENT INSTALLED IN DRY WELL, WET WELL, AND DISCHARGE CHAMBER SHALL BE RATED FOR CLASS 1, DIVISION 2 EXPLOSION-PROOF ENVIRONMENT.
5. INTRINSICALLY SAFE WIRING SHALL BE SEGREGATED FROM ALL OTHER TYPES OF WIRING. INTRINSICALLY SAFE WIRING SHALL BE INSTALLED IN A CONDUIT ONLY WITH OTHER INTRINSICALLY SAFE CIRCUITS IN PANELS AND EQUIPMENT. INTRINSICALLY SAFE CIRCUIT WIRING SHALL HAVE A MINIMUM OF 3 INCHES OF CLEARANCE, OR A GROUNDED METAL OR INSULATING PARTITION, BETWEEN THE INTRINSICALLY SAFE AND OTHER TYPES OF WIRING. SEE NEC ARTICLE 504.
6. SHIELDED AND UNSHIELDED CONDUCTORS SHALL BE RUN IN CONDUIT. SHIELDED CONDUCTORS SHALL NOT BE COMBINED WITH UNSHIELDED CONDUCTORS IN ANY CONDUIT. NEITHER SHIELDED NOR UNSHIELDED CONDUCTORS SHALL BE INCLUDED IN THE SAME CONDUIT AS POWER WIRING.
7. SHIELDED AND UNSHIELDED CONDUCTORS SHALL HAVE A MINIMUM OF 6" SEPARATION BETWEEN CONDUIT ON PARALLEL RUNS.
8. SHIELDED AND UNSHIELDED CONDUCTORS SHALL BE SEPARATED BY STEEL BARRIERS IN ALL COMBINED SIGNAL JUNCTION BOXES AND INSTRUMENT TERMINATION CABINETS.
9. CONDUCTORS SHALL NOT BE SPLICED EXCEPT AT TERMINALS OR AS DESIGNATED BY THE ENGINEER.
10. THE CONDUIT PLANS ARE DIAGRAMMATIC IN NATURE, AND DO NOT SHOW A COMPLETE CONDUIT SYSTEM. PROVIDE PULL BOXES AND OTHER CONDUIT SYSTEM COMPONENTS AS REQUIRED FOR INSTALLATION AND TO MEET NEC.
11. REFER TO SHEET E6 FOR ADDITIONAL DETAILS.



1 DRY WELL SECTION
SCALE: 1/4" = 1'-0"



IP-3

McDonough Associates Inc.
Engineers/Architects
130 East Randolph Street, Suite 1000
Chicago, Illinois 60601 Phone: (312) 546-2900

DESIGNED	DKC	REVISED	-Addendum A 5-23-12
CHECKED	KMY	REVISED	-
DRAWN	CJM	REVISED	-
CHECKED	KMY	REVISED	-
SCALE			
DATE	03/22/2012		

STATE OF ILLINOIS
DEPARTMENT OF TRANSPORTATION

PUMP STATION INSTRUMENTATION SECTIONS
PUMP STATION 47
SHEET NO. IP-3 OF 9 SHEETS

F.A.P. RTE.	SECTION	COUNTY	TOTAL SHEETS	SHEET NO.
338/IL 59	2011-035-1	DUPAGE	181	128
			CONTRACT NO. 60P41	
ILLINOIS FED. AID PROJECT				