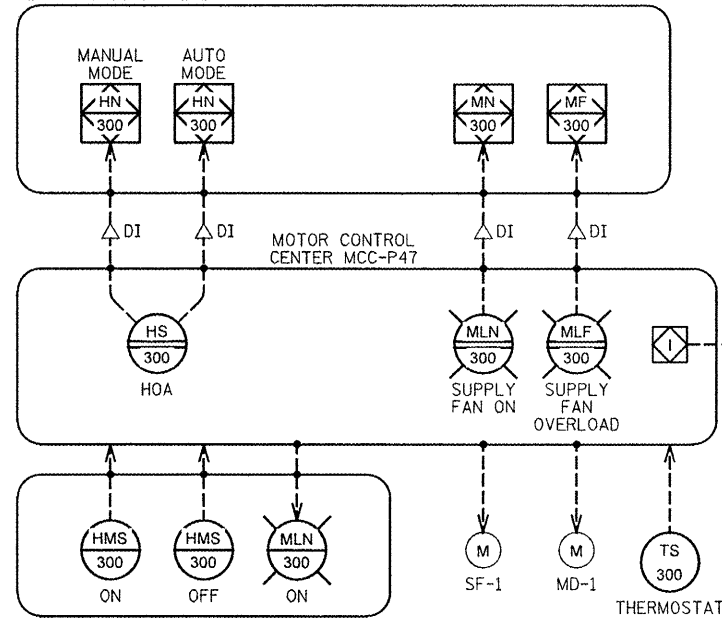


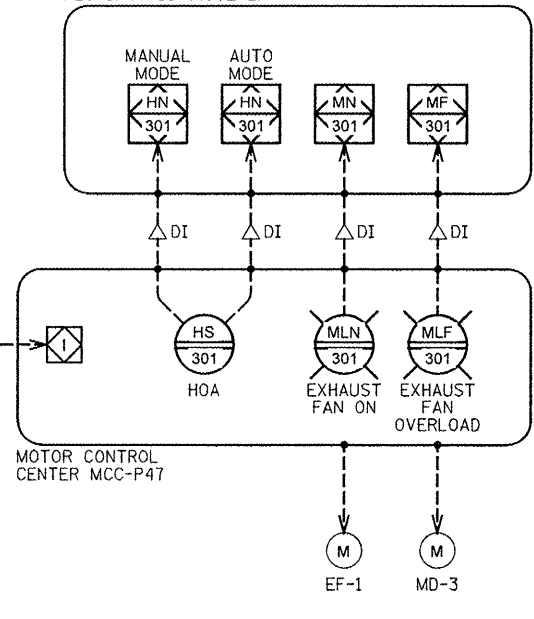
PLC-SP47-03 (NOTE 2)



CS-SF1

1 SUPPLY FAN SF-1 P&ID
(NOTE 3)

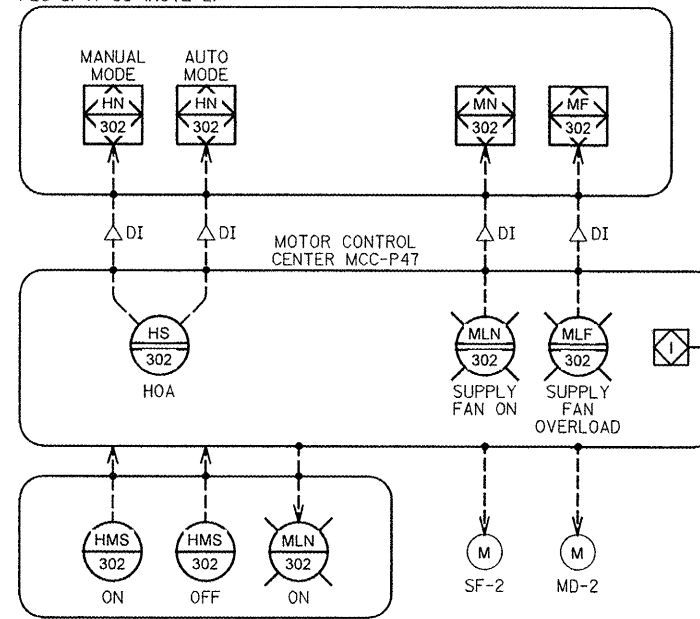
PLC-SP47-03 (NOTE 2)



MOTOR CONTROL CENTER MCC-P47

2 EXHAUST FAN EF-1 P&ID

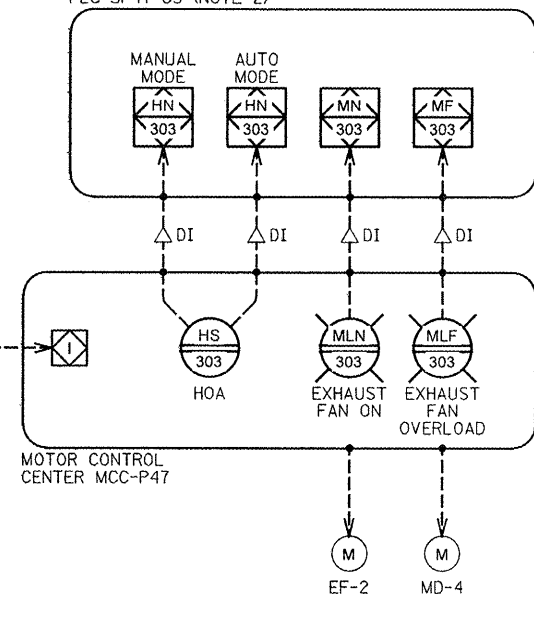
PLC-SP47-03 (NOTE 2)



CS-SF2

3 SUPPLY FAN SF-2 P&ID
(NOTE 3)

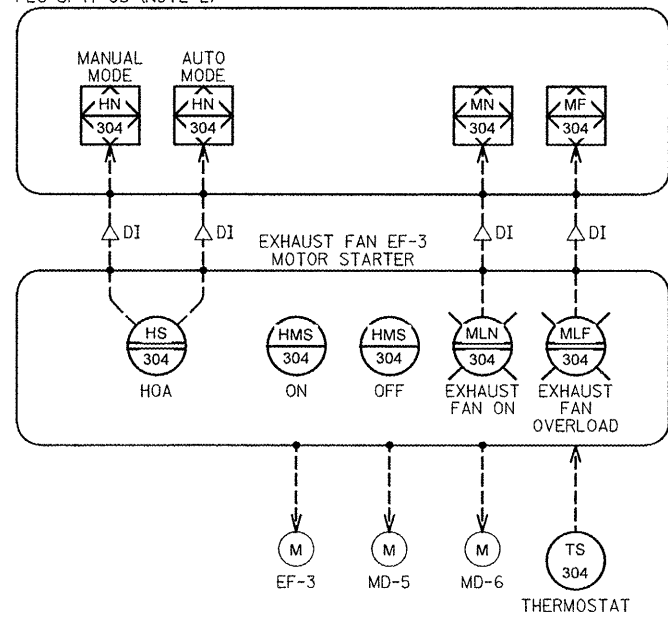
PLC-SP47-03 (NOTE 2)



MOTOR CONTROL CENTER MCC-P47

4 EXHAUST FAN EF-2 P&ID

PLC-SP47-03 (NOTE 2)



5 EXHAUST FAN EF-3 P&ID

NOTES:

- SEE SHEETS GI-1 AND GI-2 FOR INSTRUMENTATION SYMBOL LISTS, ABBREVIATIONS, AND GENERAL NOTES.
- REFER TO SPECIFICATION SECTION 40 94 23 FOR SCADA REQUIREMENTS.
- REFER TO DETAIL 2 ON SHEET I-10 FOR AUTOMATIC START INPUT FROM GAS MONITORING PANEL.

McDonough Associates Inc.
Engineers/Architects
100 East Randolph Street, Suite 1000
Chicago, Illinois 60601 Phone (312) 944-6000

DESIGNED	DKC	REVISED	-Addendum A 5-23-12
CHECKED	KMY	REVISED	-
DRAWN	CJM	REVISED	-
CHECKED	KMY	REVISED	-
SCALE			
DATE	03/22/2012		

STATE OF ILLINOIS
DEPARTMENT OF TRANSPORTATION

I & C MISCELLANEOUS P&ID DRAWINGS
PUMP STATION 47

F.A.P. RTE.	SECTION	COUNTY	TOTAL SHEETS	SHEET NO.
338/IL 59	2011-035-1		181	143
DUPAGE			CONTRACT NO. 60P41	
ILLINOIS FED. AID PROJECT				

SHEET NO. I-9 OF 10 SHEETS

I-9