

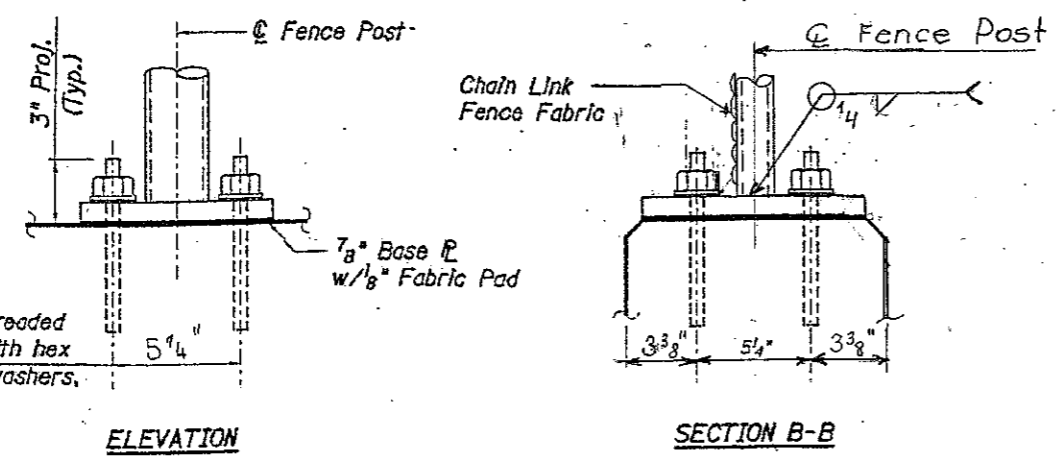
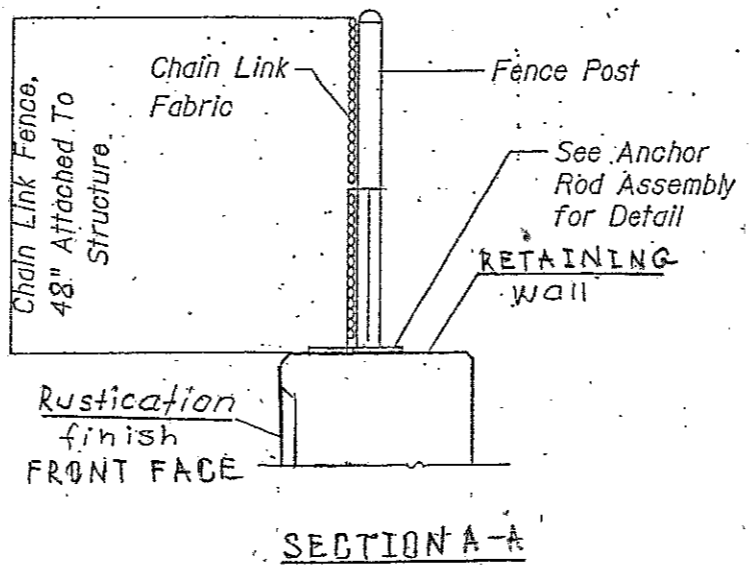
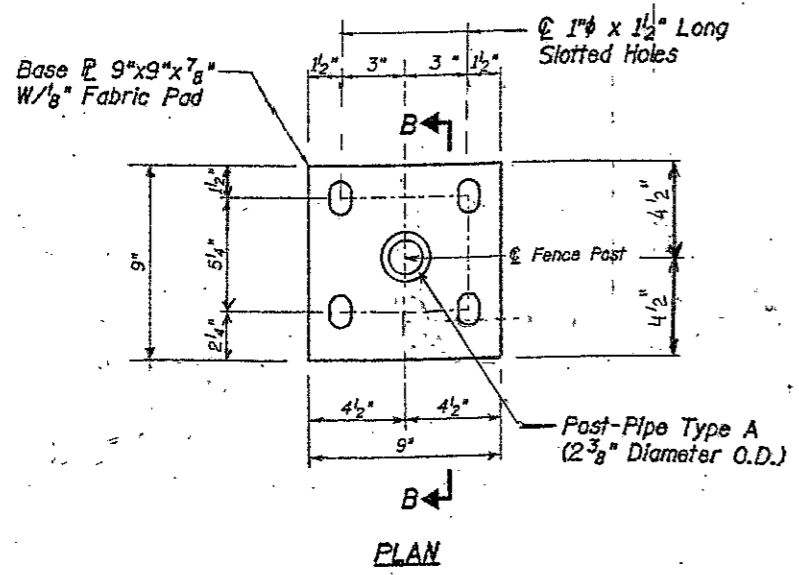
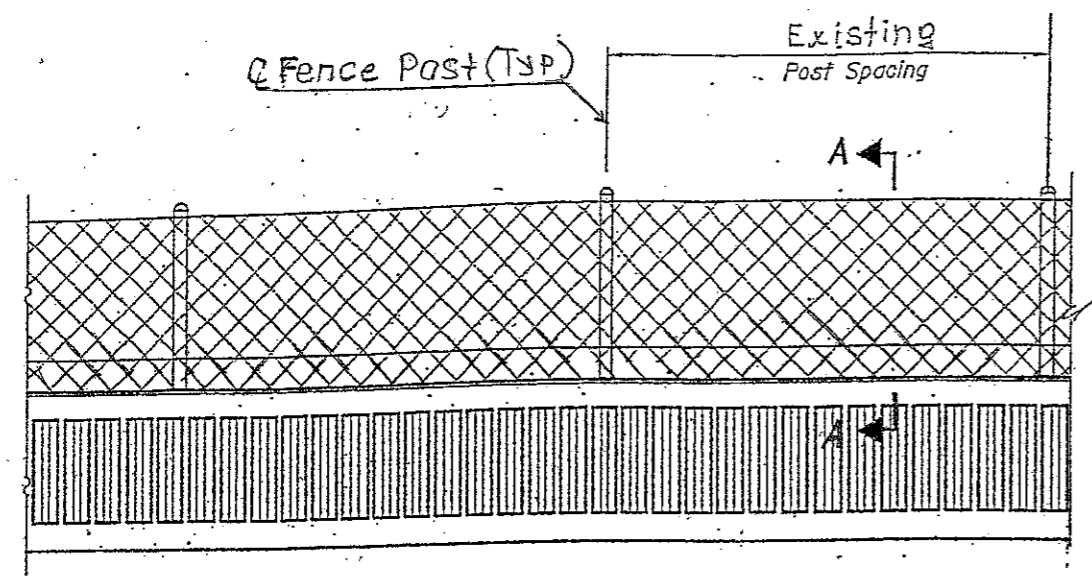
ROUTE	SECTION	COUNTY	TOTAL SHEETS	SHEET NUMBER
VARIOUS	2011-059-1	VARIOUS	44	38

Contract 60P77

**NOTES:**

1. THREADED RODS, NUTS AND WASHERS SHALL CONFORM TO AASHTO M164.
2. NUTS FOR 5/8" DIAMETER THREADED ANCHOR RODS CONNECTING THE BASE PLATE TO THE CONCRETE TO BE TIGHTENED TO A SNUG FIT AND GIVEN AN ADDITIONAL 1/8" TURN.
3. THE COST OF FURNISHING, DRILLING AND INSTALLING BASE PLATE AND THREADED ANCHOR RODS INCLUDING HEX NUTS AND LOCK WASHERS IS INCLUDED IN THE COST OF "CHAIN LINK FENCE, 4".
4. IN LIEU OF THE COST-IN-PLACE ANCHOR DEVICE SHOWN, THE CONTRACTOR HAS THE OPTION OF DRILLING AND SETTING 5/8" DIAMETER ANCHOR RODS ACCORDING TO ARTICLE 509.06 OF THE STANDARD SPECIFICATIONS. EMBEDMENT SHALL BE ACCORDING TO THE MANUFACTURER SPECIFICATIONS.
5. POSTS SHALL NOT BE LOCATED CLOSER THAN 6" TO AN EXPANSION JOINT OR THE END OF THE RETAINING WALL.
6. ALL STEEL ELEMENTS SHALL BE GALVANIZED ACCORDING TO ARTICLE 509.05 OF THE STANDARD SPECIFICATIONS.

**RETAINING WALL AND CHAIN LINK FENCE**



**ANCHOR ROD ASSEMBLY DETAILS**

SHEET 2 OF 2

ILLINOIS DEPARTMENT OF TRANSPORTATION  
 LOCATION 24  
 POST INSTALLATION DETAIL  
 FOR CHAIN LINK FENCE