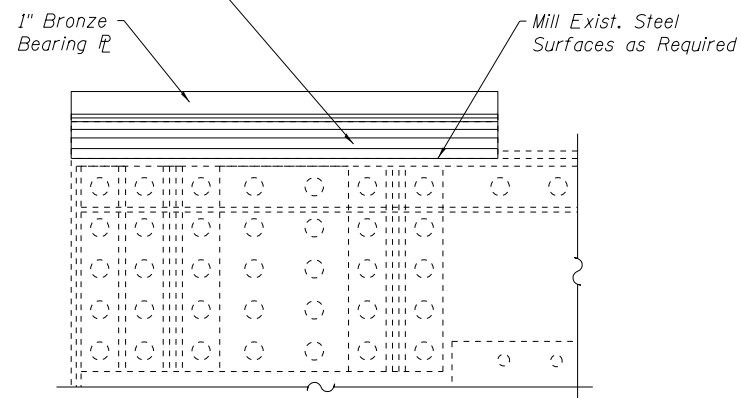
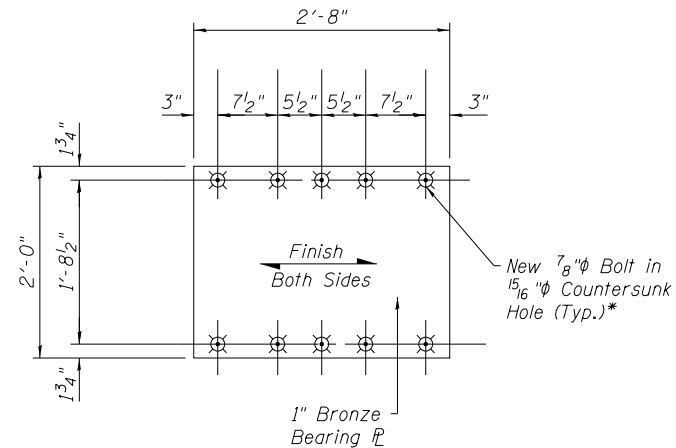


Provide $\pm 3\frac{3}{8}$ " Shim P's of Varying Thickness to Provide Sufficient Bearing; See Table of Shim Plates.



ELEVATION AT LIVE LOAD BEARING

△ Bronze Bearing Plate shall be in full contact with anchorage girder plate to allow for full live load transfer.



BRONZE BEARING PLATE DETAIL

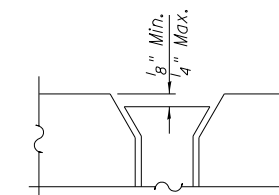
Material: ASTM B171, Alloy C464000
*See Countersink Detail

TABLE OF SHIM PLATES**

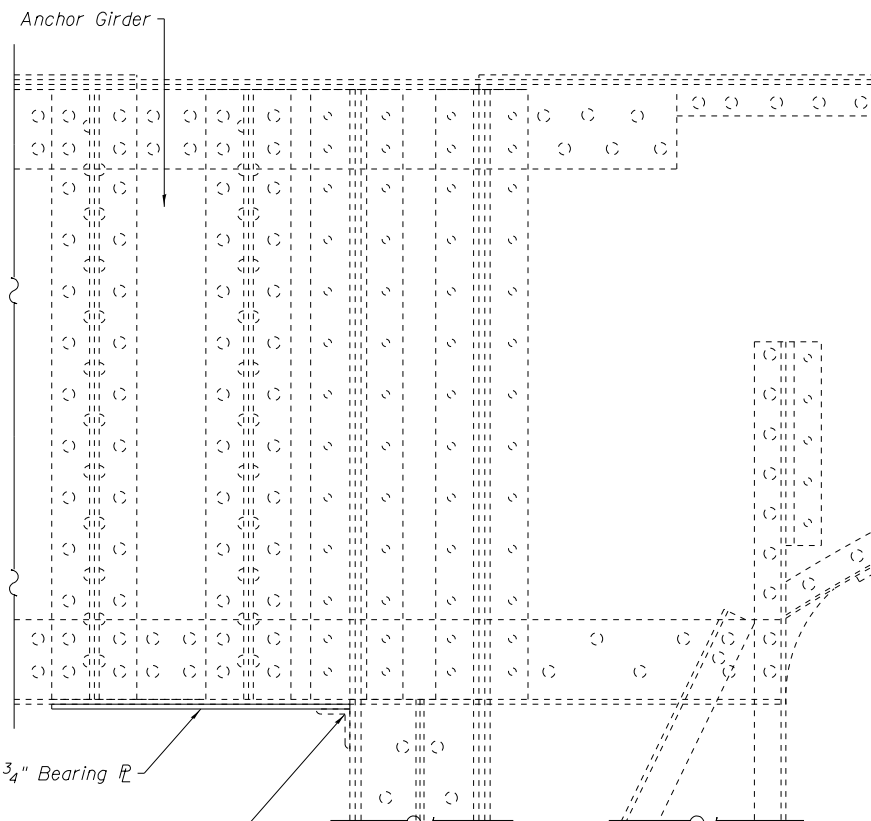
Material: ASTM B19, UNS 26000, 1/2 Hard

No.	Thickness (in.)
5	1/2
2	1/4
2	1/8
2	1/16

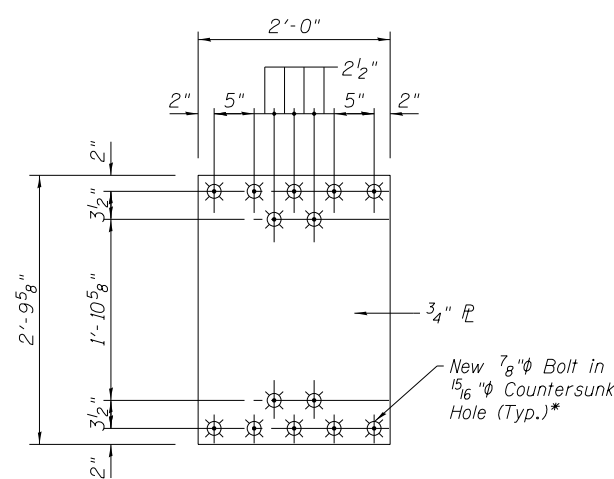
**Match dimensions and bolt hole locations shown on Bronze Bearing Plate Detail.



COUNTERSINK DETAIL



ANCHORAGE GIRDER ELEVATION



BEARING PLATE DETAIL

*See Countersink Detail

BILL OF MATERIAL

ITEM	UNIT	Quantity
Refurbishing of Live Load Bearings	Each	4

Notes:

1. Plan dimensions and details relative to existing plans are subject to nominal construction variations. The Contractor shall field verify existing dimensions and details affecting new construction and make necessary approved adjustments prior to construction or ordering of materials. Such variations shall not be cause for additional compensation for a change in scope of the work, however, the Contractor will be paid for the quantity actually furnished at the unit price bid for the work.
2. The details shown are the final configurations and details. The Contractor shall be responsible for obtaining approval for all methods and procedures necessary to achieve the details shown.
3. The Contractor shall verify all pertinent dimensions prior to fabrication.
4. Where removal of existing rivets is required to facilitate the work, remove rivets and replace with the same diameter high strength bolts, unless noted otherwise.
5. See Sheet S2 for notes regarding painting of new and existing steel.
6. Cost of removal and disposal of existing bronze plates, bearing plates, shim plates, and bolts is included in the pay item Refurbishing Live Load Bearings.
7. Cost of all bronze plates, bearing plates, shim plates, and bolts included in pay item Refurbishing Live Load Bearings.
8. As-received surfaces must be 63 microinch or better. If not, plates shall be ground or machined to 63 microinch or better.

FILE NAME =	USER NAME =	DESIGNED - JMS	REVISED -
		CHECKED - JMH	REVISED -
	PLOT SCALE =	DRAWN - PRH	REVISED -
	PLOT DATE =	CHECKED - JMH	REVISED -

**STATE OF ILLINOIS
DEPARTMENT OF TRANSPORTATION**

**LIVE LOAD BEARING DETAILS
STRUCTURE NO. 099-0101**

SHEET NO. S3 OF S6 SHEETS

F.A.P. RTE.	SECTION	COUNTY	TOTAL SHEETS	SHEET NO.
607	2011-065-BR	WILL	33	10
			CONTRACT NO. 60P84	
ILLINOIS FED. AID PROJECT				