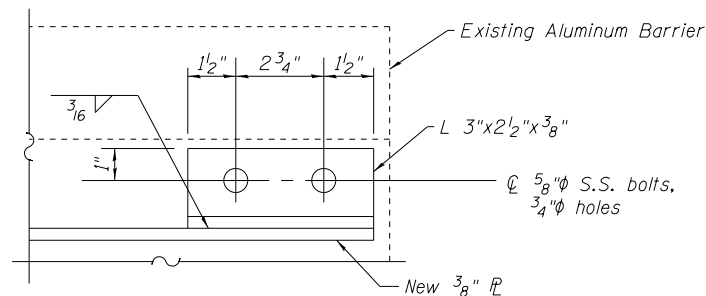
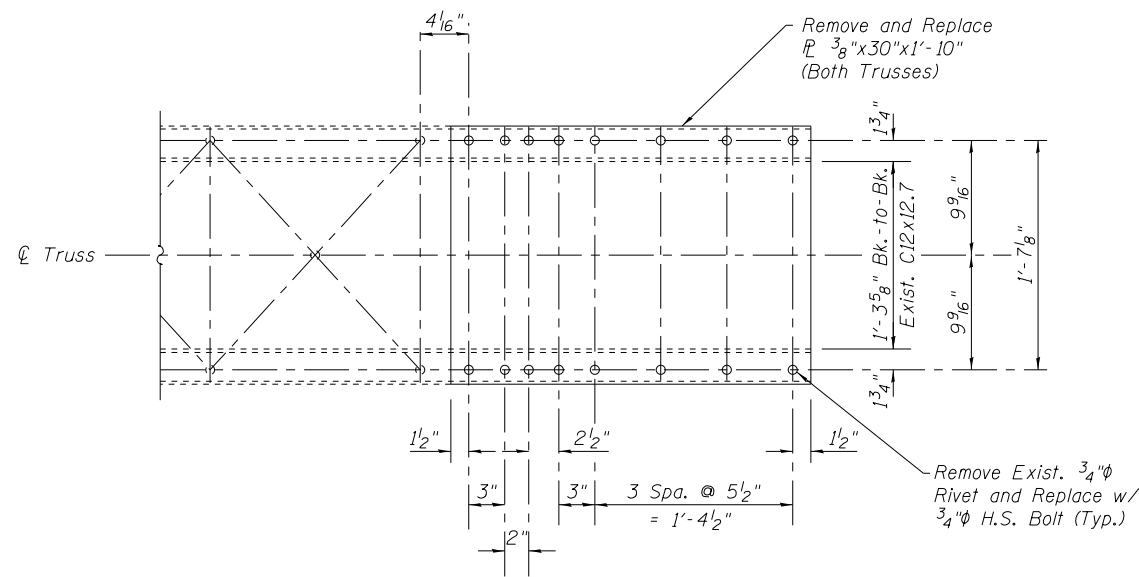


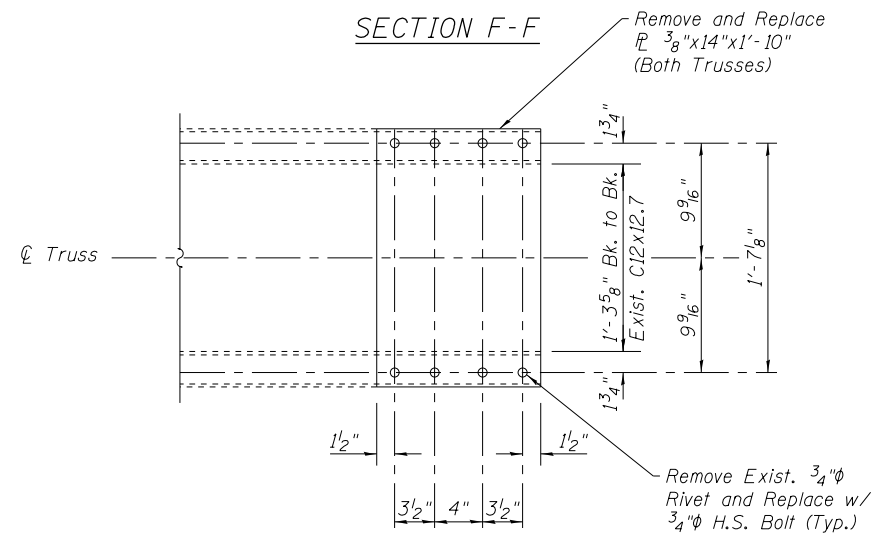
WEST LEAF TRUSS
(Looking North)



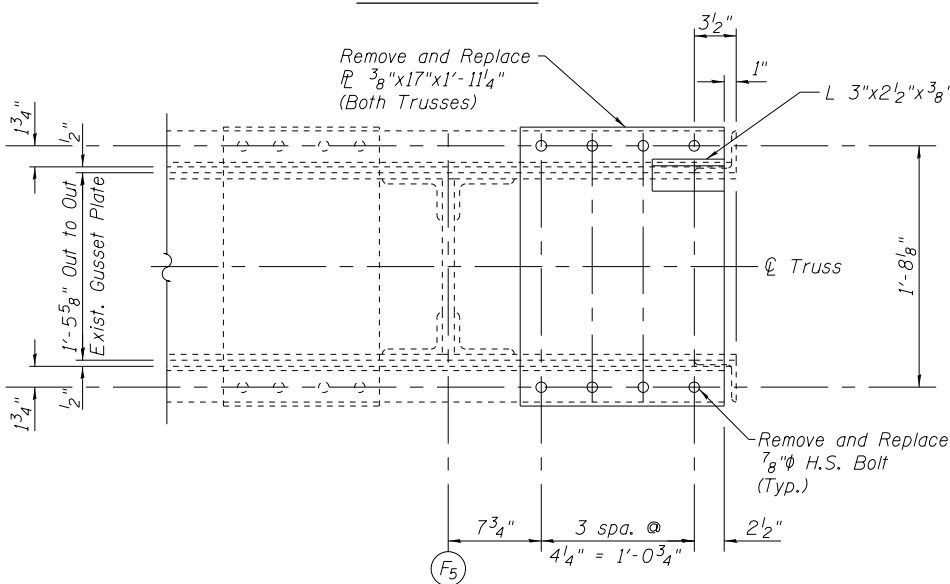
DETAIL 1



SECTION F-F



SECTION G-G



SECTION H-H

(Aluminum Barrier not shown for clarity)

Notes:

1. Plan dimensions and details relative to existing plans are subject to nominal construction variations. The Contractor shall field verify existing dimensions and details affecting new construction and make necessary approved adjustments prior to construction or ordering of materials. Such variations shall not be cause for additional compensation for a change in scope of the work, however, the Contractor will be paid for the quantity actually furnished at the unit price bid for the work.
2. The details shown are the final configurations and details. The Contractor shall be responsible for obtaining approval for all methods and procedures necessary to achieve the details shown.
3. The Contractor shall verify all pertinent dimensions prior to fabrication.
4. Where removal of existing rivets is required to facilitate the work, remove rivets and replace with the same diameter high strength bolts, unless noted otherwise.
5. See Sheet S2 for notes regarding painting of new and existing steel.
6. Removal and reattachment of the Aluminum Barrier required for repair work shall be included in cost of Structural Steel Repair.
7. Members attached to Batten Plates may require straightening prior to installation of proposed Batten Plates. Any straightening required shall be included in the pay item Structural Steel Repair.

BILL OF MATERIAL

ITEM	UNIT	LOAD
Structural Steel Repair	Pound	390

FILE NAME =	USER NAME =	DESIGNED - AMS	REVISED -
		CHECKED - JMH	REVISED -
		DRAWN - PRH	REVISED -
		CHECKED - AMS	REVISED -

STATE OF ILLINOIS
DEPARTMENT OF TRANSPORTATION

BATTEN PLATE REPAIRS
STRUCTURE NO. 099-0239

SHEET NO. S4 OF 55 SHEETS

F.A.U. RTE.	SECTION	COUNTY	TOTAL SHEETS	SHEET NO.
297	2011-065-BR	WILL	33	26
			CONTRACT NO. 60P84	

ILLINOIS FED. AID PROJECT