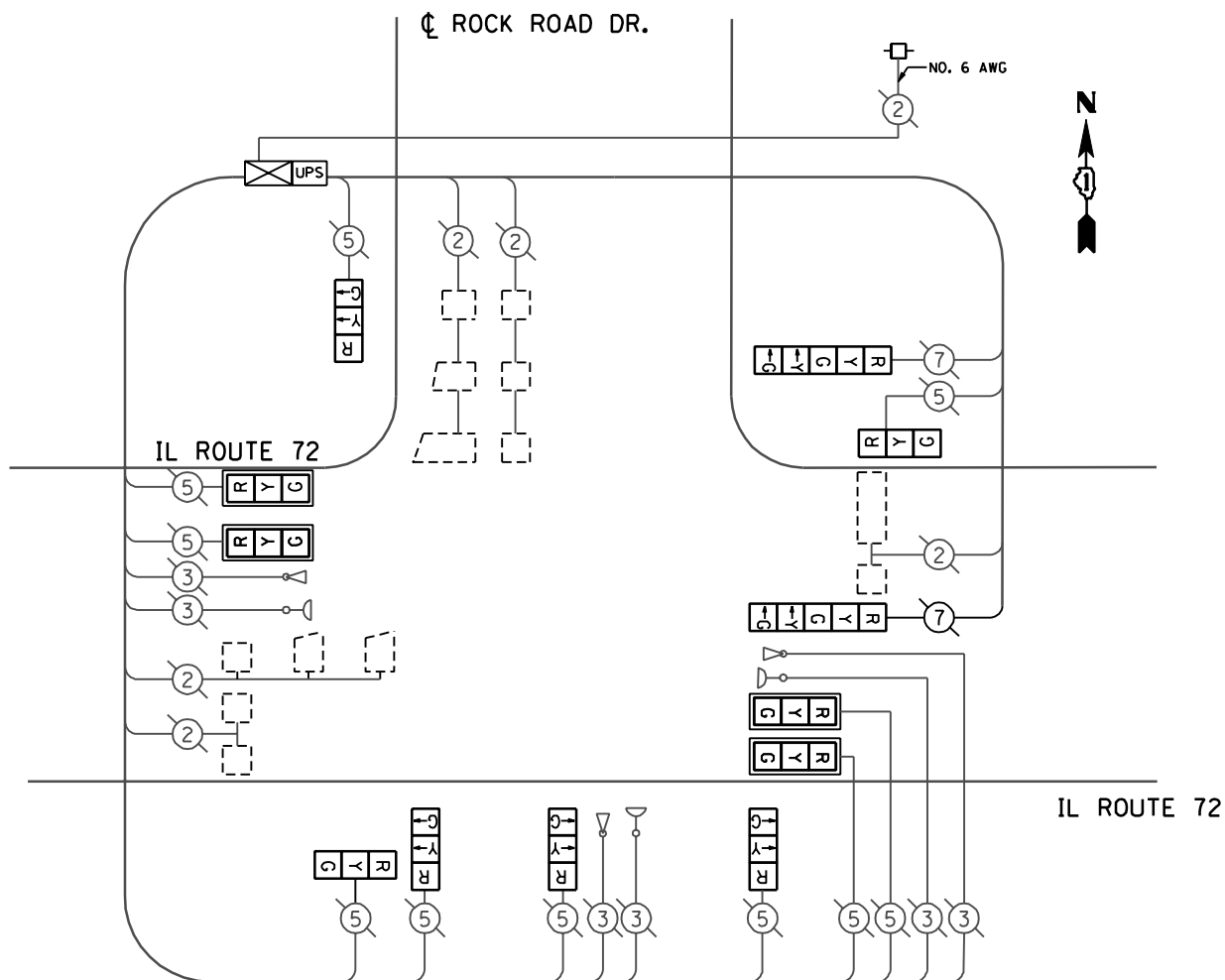


SCHEDULE OF QUANTITIES

ITEM	UNIT	QTY
PORTLAND CEMENT CONCRETE SIDEWALK 5 INCH	SO FT	38
SIGNAL HEAD, LED, 1-FACE, 3-SECTION, MAST ARM MOUNTED	EACH	4
SIGNAL HEAD, LED, 1-FACE, 3-SECTION, BRACKET MOUNTED	EACH	3
SIGNAL HEAD, LED, 1-FACE, 5 SECTION, BRACKET MOUNTED	EACH	1
SIGNAL HEAD, LED, 2-FACE, 1-3 SECTION, 1-5 SECTION, BRACKET MOUNTED	EACH	1
SIGNAL HEAD, LED, 2-FACE, 3 SECTION, BRACKET MOUNTED	EACH	1
TRAFFIC SIGNAL BACKPLATE, LOUVERED, ALUMINUM	EACH	4
REMOVE EXISTING SIGNAL HEAD	EACH	12
UNINTERRUPTABLE POWER SUPPLY, SPECIAL	EACH	1



THE TRAFFIC SIGNAL CONTROL EQUIPMENT FOR THIS SIGNAL SHALL BE "ECONOLITE" TO MATCH THE EXISTING ADJACENT SYSTEM.

I. D. O. T TRAFFIC SIGNAL INSTALLATION ELECTRICAL SERVICE REQUIREMENTS					TOTAL WATTAGE
TYPE	NO. OF LAMPS	WATTAGE INCAND.	L. E. D.	OPERATION	
SIGNAL (RED)	12	135	17	0.50	102
(YELLOW)	12	135	25	0.25	75
(GREEN)	12	135	15	0.25	45
ARROW	4	135	12	0.10	4.8
PED. SIGNAL		90	25	1.00	-
CONTROLLER	1	100	100	1.00	100
ILLUM. SIGN		84	120	0.05	
VIDEO VEH. SENSOR		15	15	1.00	
FLASHER				0.50	
TOTAL					326.8

ILLINOIS DEPARTMENT OF TRANSPORTATION
DIVISION OF HIGHWAY/DISTRICT 1
201 CENTER CT/SCHAUMBURG, IL 60196-1096
ENERGY SUPPLY - CONTACT: ROSE PECORARO
PHONE: (847) 608-2331
COMPANY: COMMONWEALTH EDISON

200 22ND Street, Suite 216, Lombard, IL 60148
630.705.0110 voice, 630.839.3566 fax
www.mps-il.com
MILLENNIA PROFESSIONAL SERVICES

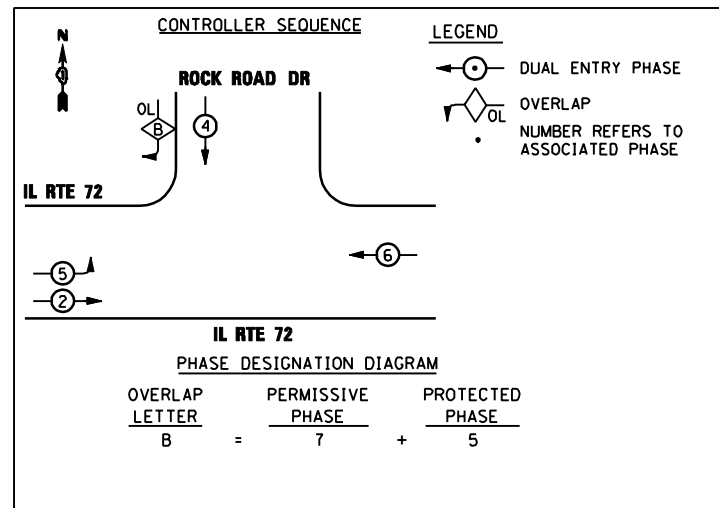
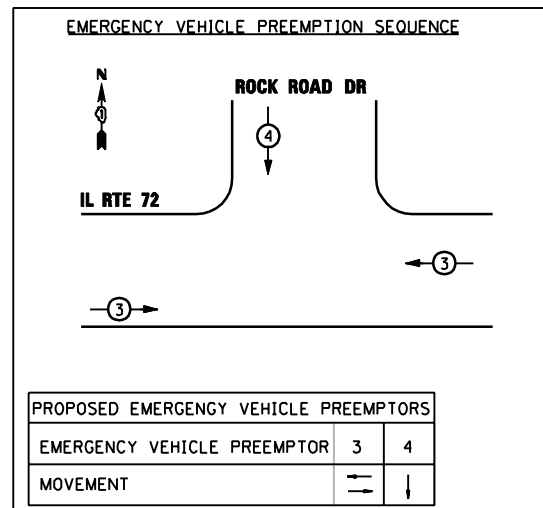
DESIGNED - CJD	REVISED -
DRAWN - CJD	REVISED -
CHECKED - TVN	REVISED -
DATE - 4/5/2012	REVISED -

STATE OF ILLINOIS
DEPARTMENT OF TRANSPORTATION

CABLE PLAN, PHASE DESIGNATION DIAGRAM,
SCHEDULE OF QUANTITIES
IL ROUTE 72 AT ROCK ROAD DRIVE

SCALE: N/A SHEET NO. OF SHEETS STA. TO STA.

F.A.P. RTE.	SECTION	COUNTY	TOTAL SHEETS	SHEET NO.
341	2011-071-N	COOK/KANE	56	30
CONTRACT NO. 60P90				



FILE NAME : p:\2009\me09006-ver-ver-ph1\cadd\038-IL72-Beverly\Shvs\0160P90-sh-06TS22-RockRd-CBL.dgn
 USER : ME09006
 MILLENNIA PROFESSIONAL SERVICES

p:\2009\me09006-ver-ver-ph1\cadd\038-IL72-Beverly\Shvs\0160P90-sh-06TS22-RockRd-CBL.dgn