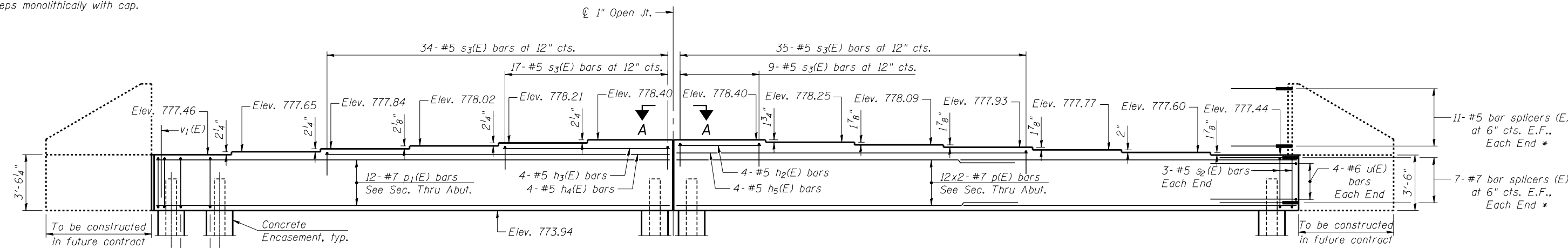
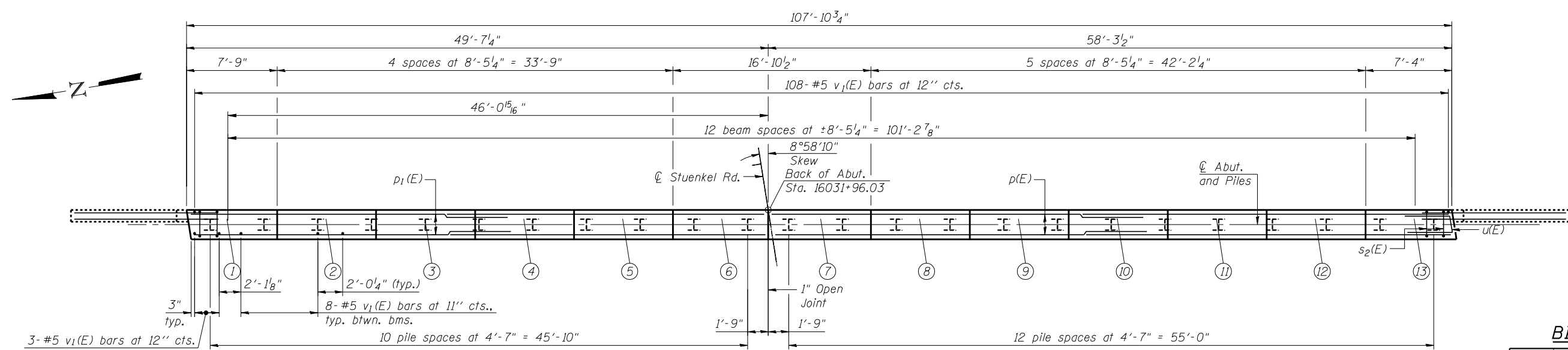


Notes:
Pour steps monolithically with cap.



ELEVATION
(Looking East)

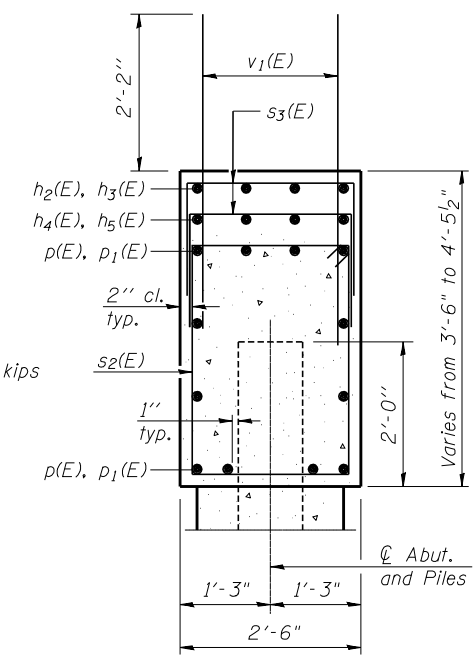
* Rest of bar splicer to be installed in future contract



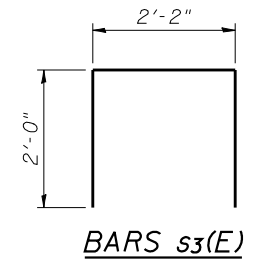
PLAN

PILE DATA

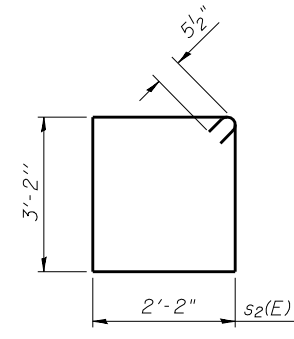
Type: HP 14x73
Nominal Required Bearing: 392 kips
Factored Resistance Available: 215 kips
Est. Length: 53 feet
No. Production Piles: 23
No. Test Piles: 1



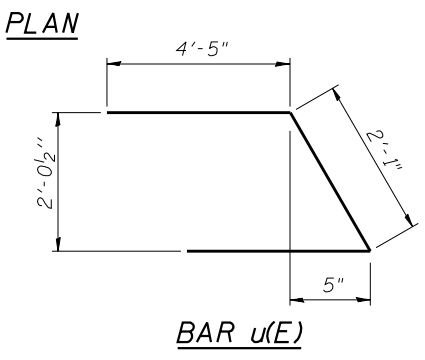
SEC. THRU ABUT.



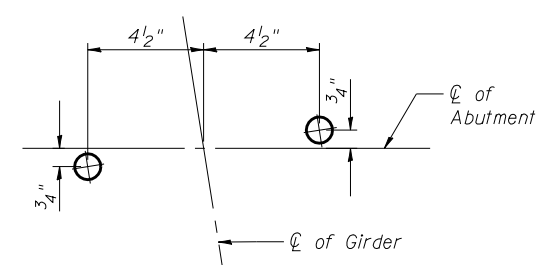
BARS s3(E)



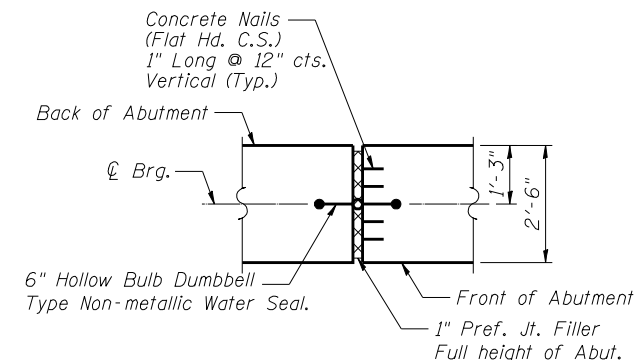
BARS s2(E)



BAR u(E)



ANCHOR BOLT LAYOUT



SECTION A-A

Cost of Water Seal included with Concrete Structures.

MINIMUM BAR LAP

#6 bar = 4'-5"
#7 bar = 5'-10"

BILL OF MATERIAL

Bar	No.	Size	Length	Shape
h ₂ (E)	4	#5	8'-2"	—
h ₃ (E)	4	#5	16'-3"	—
h ₄ (E)	4	#5	33'-1"	—
h ₅ (E)	4	#5	33'-8"	—
p(E)	24	#7	31'-11"	—
p ₁ (E)	12	#7	49'-3"	—
s ₂ (E)	98	#5	11'-7"	□
s ₃ (E)	95	#5	6'-2"	□
u(E)	8	#6	10'-11"	—
v ₁ (E)	210	#5	4'-4"	—
Structure Excavation		Cu. Yd.	54	
Concrete Structures		Cu. Yd.	39.8	
Reinforcement Bars, Epoxy Coated		Pound	6,030	
Furnishing Steel Piles HP 14x73		Foot	1,219	
Driving Piles		Foot	1,219	
Test Pile Steel HP 14x73		Each	1	
Concrete Encasement		Cu. Yd.	13.1	

For details of Bar Splicers, see sheet 29 of 35.
For details of piles and Concrete Encasement, see sheet 28 of 35.