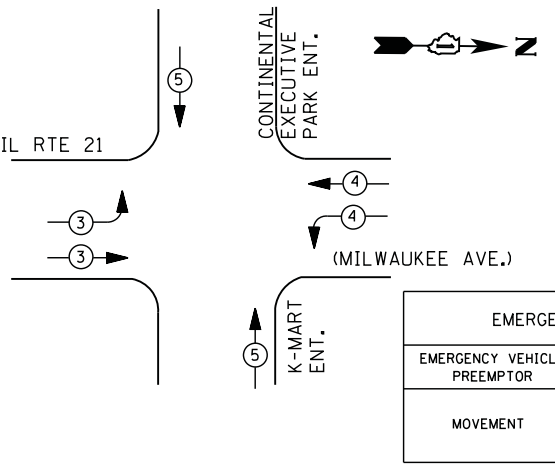


**LEGEND**

- DUAL ENTRY PHASE
- PEDESTRIAN PHASE
- SINGLE ENTRY PHASE
- OVERLAP
- \* NUMBER REFERS TO ASSOCIATED PHASE

**RIGHT TURN OVERLAP PHASE DESIGNATION**

OVERLAP LETTER	PERMISSIVE PHASE	PROTECTED PHASE
A =	2 +	3
C =	6 +	7
D =	8 +	1



**EMERGENCY VEHICLE PREEMPTORS**

EMERGENCY VEHICLE PREEMPTOR	3	4	5
MOVEMENT			

**EMERGENCY VEHICLE PREEMPTION SEQUENCE**

**I. D. O. T. TRAFFIC SIGNAL INSTALLATION ELECTRICAL SERVICE REQUIREMENTS**

TYPE	NO. LAMPS	WATTAGE		% OPERATIONS	TOTAL WATTAGE
		INCAND.	LED		
SIGNAL (RED)	18	135	17	0.50	153
(YELLOW)	18	135	25	0.25	113
(GREEN)	18	135	15	0.25	68
ARROW	20	135	12	0.10	24
PED. SIGNAL	4	90	25	1.00	100
CONTROLLER	1	100	100	1.00	100
ILLUM. SIGN		252	25	0.05	--
VIDEO SYSTEM		150	-	1.00	--
TOTAL =					458

ENERGY COSTS- BILLED TO: VILLAGE OF VERNON HILLS  
 290 EVERGREEN DRIVE  
 VERNON HILLS, IL 60061

ENERGY SUPPLY - CONTACT **TERRI BLECK**  
 PHONE 847-816-5239  
 COMMONWEALTH EDISON

**REMOVAL OF EXISTING TRAFFIC SIGNAL EQUIPMENT**

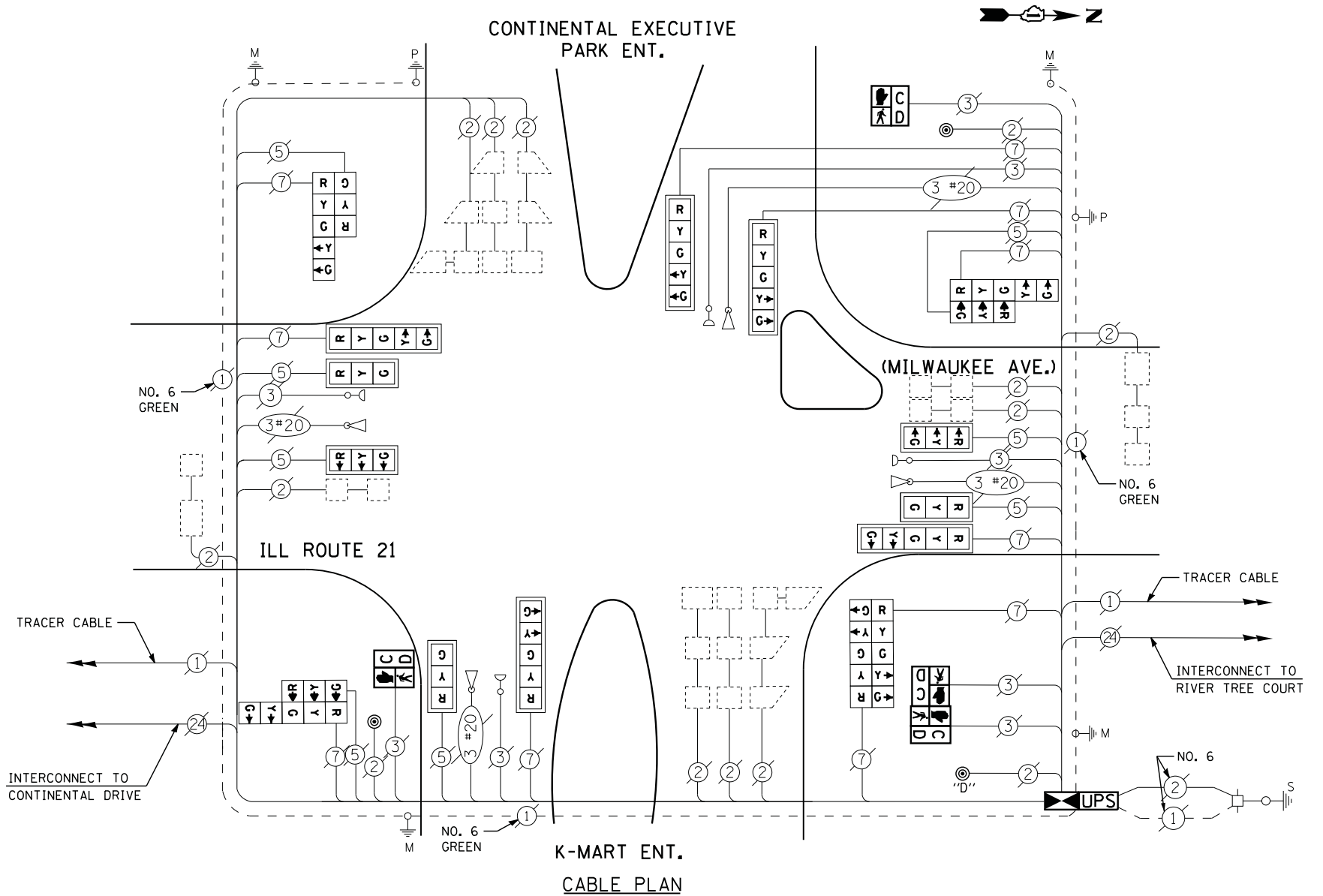
THE FOLLOWING ITEMS SHALL BE REMOVED BY THE CONTRACTOR AND SHALL BE DISPOSED OF BY THEM OUTSIDE THE RIGHT-OF-WAY AT THEIR EXPENSE. THE SALVAGE VALUE OF THE REMOVED EQUIPMENT SHALL BE REFLECTED IN THE CONTRACT BID PRICE.

- 1 EACH CONTROLLER AND CABINET (COMPLETE)
- 4 EACH PEDESTRIAN SIGNAL HEAD
- 3 EACH PEDESTRIAN PUSH-BUTTON

**SCHEDULE OF QUANTITIES**

QUANTITY	UNIT	ITEM
1	EACH	MAINTENANCE OF EXISTING TRAFFIC SIGNAL INSTALLATION
1	EACH	TRANSCIVER - FIBER OPTIC
2	EACH	PEDESTRIAN SIGNAL HEAD, LED, 1-FACE, BRACKET MOUNTED WITH COUNTDOWN TIMER
1	EACH	PEDESTRIAN SIGNAL HEAD, LED, 2-FACE, BRACKET MOUNTED WITH COUNTDOWN TIMER
11	EACH	INDUCTIVE LOOP DETECTOR
* 2	EACH	RELOCATE EXISTING EMERGENCY VEHICLE PRIORITY SYSTEM, PHASING UNIT
1	EACH	REMOVE EXISTING TRAFFIC SIGNAL EQUIPMENT
1	EACH	FULL-ACTUATED CONTROLLER AND TYPE IV CABINET, SPECIAL
1	EACH	UNINTERRUPTABLE POWER SUPPLY, SPECIAL
3	EACH	SIGNAL HEAD, LED, 2-FACE, 1-3 SECTION, 1-5 SECTION, BRACKET MOUNTED, RETROFIT
5	EACH	SIGNAL HEAD, LED, 1-FACE, 3-SECTION, MAST ARM MOUNTED, RETROFIT
5	EACH	SIGNAL HEAD, LED, 1-FACE, 5-SECTION, MAST ARM MOUNTED, RETROFIT
1	EACH	SIGNAL HEAD, LED, 2-FACE, 5-SECTION, BRACKET MOUNTED RETROFIT
3	EACH	PEDESTRIAN PUSH-BUTTON, NON-LATCHING

\* - 100% COST TO VILLAGE OF VERNON HILLS



NOTE: PUSH-BUTTON "D" SHALL PLACE A CALL IN PHASES 2 AND 8.

RETROFIT ALL EXISTING SIGNAL HEADS TO L.E.D.

**CONSTRUCTION NOTES**

- 1) THE TRAFFIC SIGNAL CONTROL EQUIPMENT FOR THIS PROJECT SHALL BE "ECONOLITE" TO MATCH THE EXISTING ADJACENT SYSTEM.
- 2) CONTRACTOR SHALL RELOCATE EXISTING FIBER OPTIC SPLICE BOX TO A NEW CONTROLLER CABINET. THE COST OF THIS WORK SHALL BE INCLUDED IN THE FULL-ACTUATED CONTROLLER AND TYPE IV CABINET, SPECIAL PAY ITEM.
- 3) CONTRACTOR SHALL REPLACE BROKEN MOUNTING BRACKETS AT ALL RETROFIT SIGNAL HEADS OR AS DIRECTED BY THE ENGINEER. THE COST OF THIS WORK SHALL BE INCLUDED IN THE CORRESPONDING SIGNAL HEAD, LED, RETROFIT PAY ITEM OF THE TYPE AND NUMBER OF SIGNAL HEADS, FACES, AND SECTIONS AS SPECIFIED IN THE PLANS.

TS# 22050  
VERNON HILLS