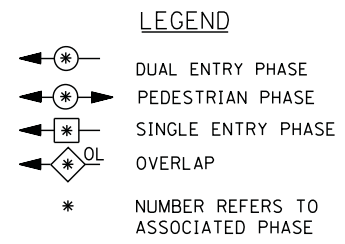
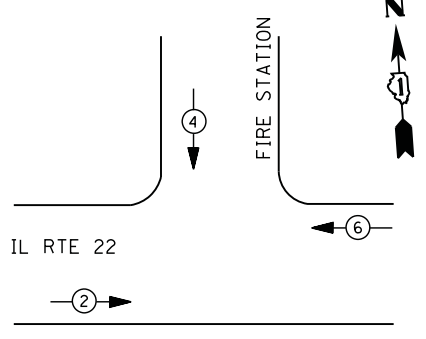
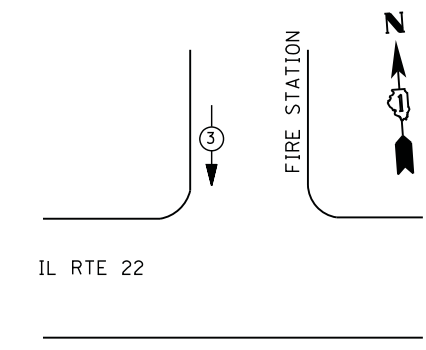


**CONTROLLER SEQUENCE**



**PHASE DESIGNATION DIAGRAM**



**EMERGENCY VEHICLE PREEMPTION SEQUENCE**

EMERGENCY VEHICLE PREEMPTORS	
EMERGENCY VEHICLE PREEMPTOR	3
MOVEMENT	↓

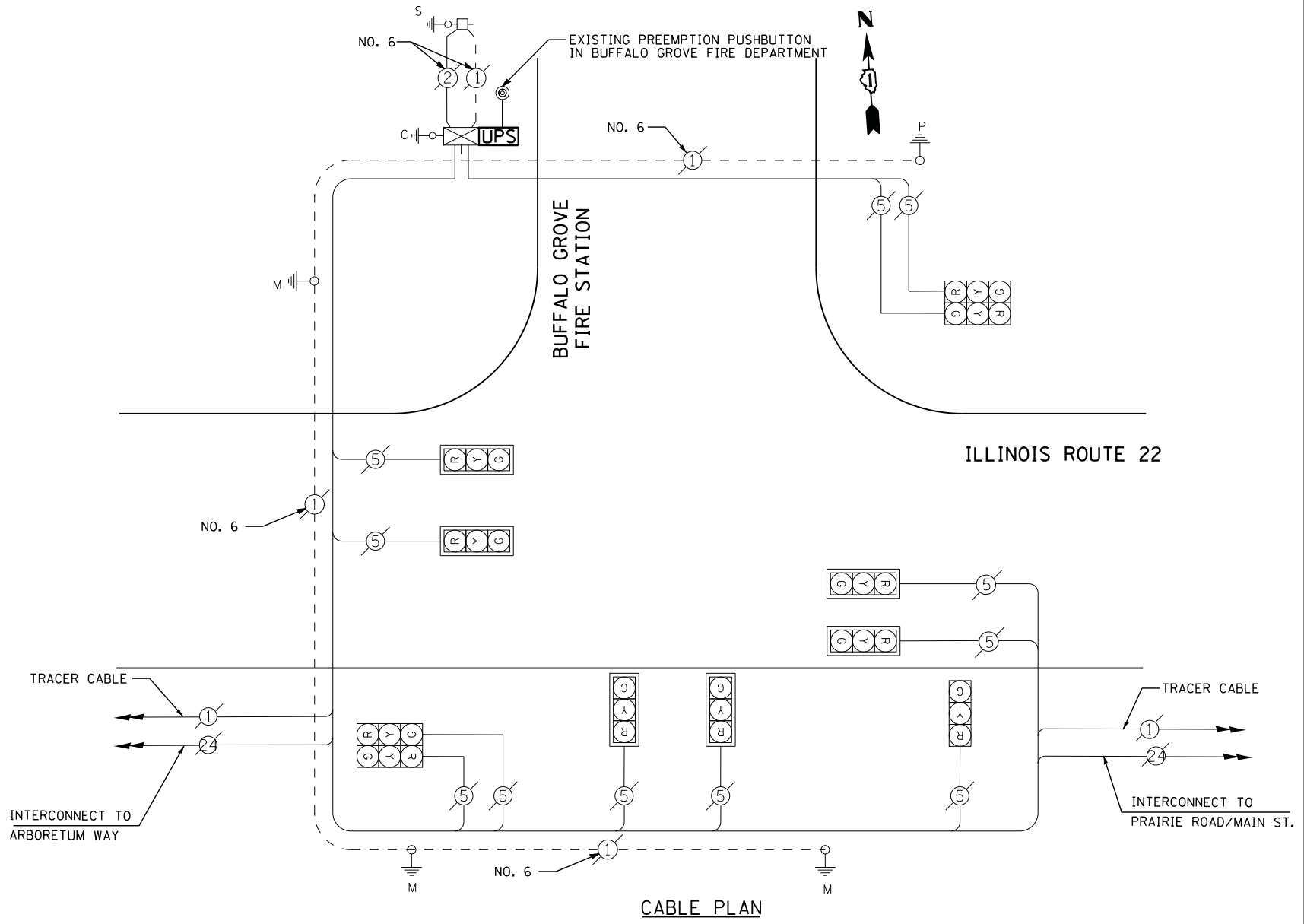
I. D. O. T. TRAFFIC SIGNAL INSTALLATION ELECTRICAL SERVICE REQUIREMENTS					
TYPE	NO. LAMPS	WATTAGE		% OPERATIONS	TOTAL WATTAGE
		INCAND.	LED		
SIGNAL ( RED )	11	135	17	0.50	94
( YELLOW )	11	135	25	0.25	69
( GREEN )	11	135	15	0.25	41
ARROW		135	12	0.10	--
PED. SIGNAL		90	25	1.00	--
CONTROLLER	1	100	100	1.00	100
ILLUM. SIGN		252	25	0.05	--
VIDEO SYSTEM		150	-	1.00	--
TOTAL =					304

ENERGY COSTS- BILLED TO: VILLAGE OF BUFFALO GROVE  
 50 RAUPP BOULEVARD  
 BUFFALO GROVE, IL 60089

ENERGY SUPPLY - CONTACT DAVE SCHACHT  
 PHONE 630-437-2129  
 COMMONWELTH EDISON

**SCHEDULE OF QUANTITIES**

QUANTITY	UNIT	ITEM
1	EACH	MAINTENANCE OF EXISTING TRAFFIC SIGNAL INSTALLATION
1	EACH	MODIFY EXISTING CONTROLLER CABINET
1	EACH	UNINTERRUPTABLE POWER SUPPLY, SPECIAL



FILE NAME =	USER NAME = *USER*	DESIGNED - DW	REVISED -
N:\Projects\312004\DesignCAD\Sheet Files\12-001 Sheets SE Lake Co\20426_CAB.LAKE.dgn		DRAWN - JDH	REVISED -
	PLOT SCALE = *SCALE*	CHECKED - KMM	REVISED -
	PLOT DATE = 3/28/2012	DATE -	REVISED -

**STATE OF ILLINOIS  
DEPARTMENT OF TRANSPORTATION**

**IL ROUTE 22 AT BUFFALO GROVE (FIRE STATION) - CABLE PLAN,  
SCHEDULE OF QUANTITIES, PHASE DESIGN. DIAGRAM & EVP SEQUENCE**

SCALE: N.T.S. SHEET NO. OF SHEETS STA. TO STA.

F.A. RTÉ.	SECTION	COUNTY	TOTAL SHEETS	SHEET NO.
	2012-003 I	LAKE	102	67
CONTRACT NO. 60T41				
ILLINOIS FED. AID PROJECT				

TS# 20426  
BUFFALO GROVE