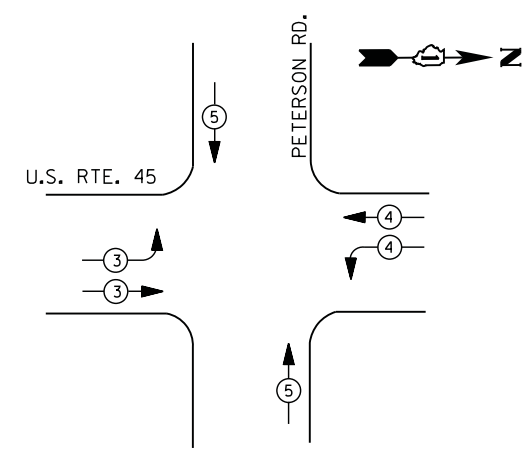


LEGEND

- DUAL ENTRY PHASE
- PEDESTRIAN PHASE
- SINGLE ENTRY PHASE
- OVERLAP
- * NUMBER REFERS TO ASSOCIATED PHASE

RIGHT TURN OVERLAP PHASE DESIGNATION

OVERLAP LETTER	PERMISSIVE PHASE	PROTECTED PHASE	DISPLAY
A =	2 +	3 -	2
B =	4 +	5 -	4
C =	6 +	7 -	6
D =	8 +	1 -	8



EMERGENCY VEHICLE PREEMPTORS			
EMERGENCY VEHICLE PREEMPTOR	3	4	5
MOVEMENT			

I. D. O. T. TRAFFIC SIGNAL INSTALLATION ELECTRICAL SERVICE REQUIREMENTS

TYPE	NO. LAMPS	WATTAGE		% OPERATIONS	TOTAL WATTAGE
		INCAND.	LED		
SIGNAL (RED)	18	135	17	0.50	153
(YELLOW)	18	135	25	0.25	113
(GREEN)	18	135	15	0.25	68
ARROW	24	135	12	0.10	29
PED. SIGNAL	2	90	25	1.00	50
CONTROLLER	1	100	100	1.00	100
ILLUM. SIGN		252	25	0.05	--
VIDEO SYSTEM	1	150	-	1.00	150
FLASHER LED					
TOTAL =					663

ENERGY COSTS- BILLED TO: IDOT DISTRICT 1
 201 WEST CENTER COURT
 SCHAUMBURG, IL 60196-1096

ENERGY SUPPLY - CONTACT TERRI BLECK
 PHONE 847-816-5239
 COMMONWEALTH EDISON

SCHEDULE OF QUANTITIES

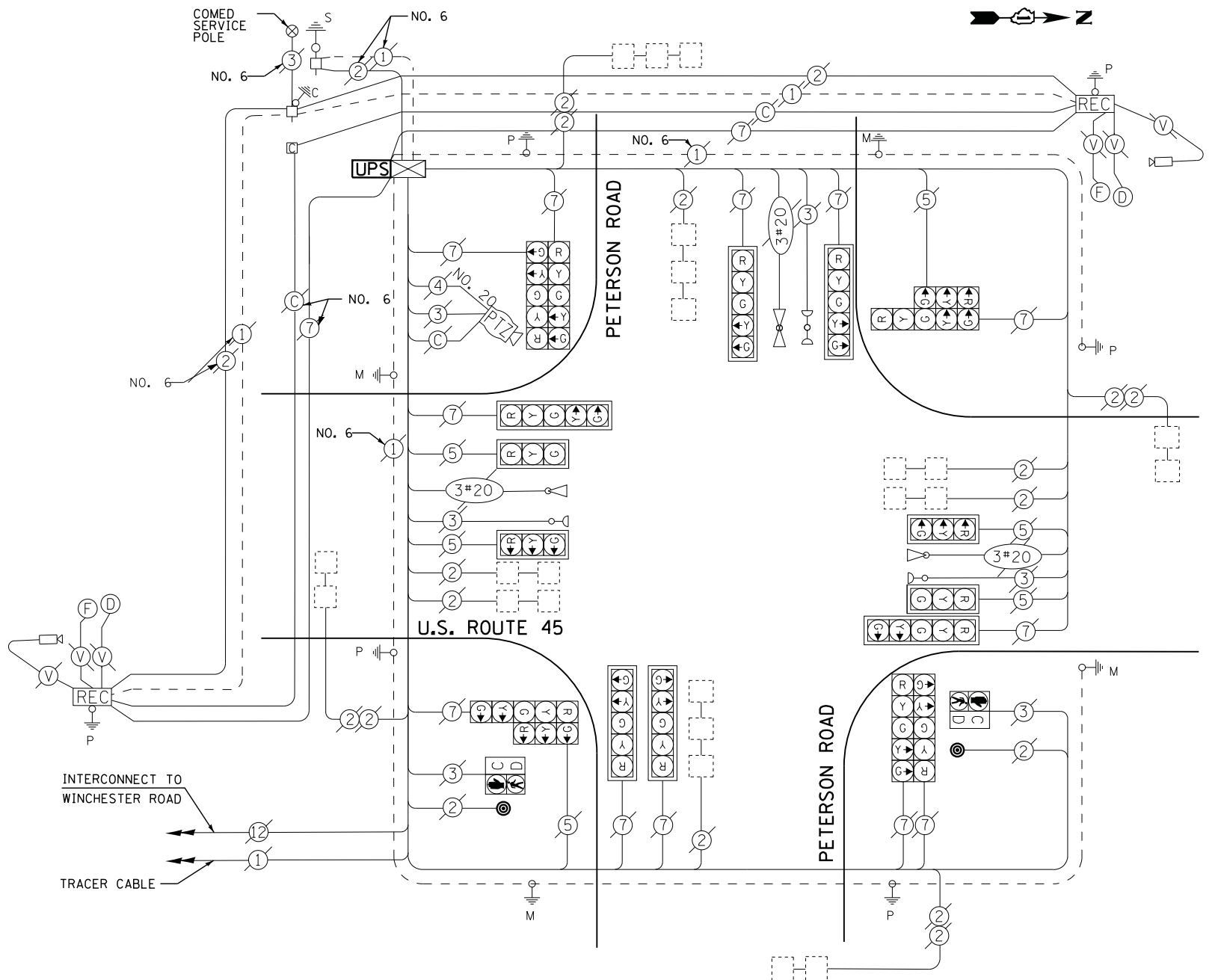
QUANTITY	UNIT	ITEM
1	EACH	MAINTENANCE OF EXISTING TRAFFIC SIGNAL INSTALLATION
2	EACH	PEDESTRIAN PUSH-BUTTON
1	EACH	MODIFY EXISTING CONTROLLER CABINET
1	EACH	REMOVE EXISTING TRAFFIC SIGNAL EQUIPMENT
1	EACH	UNINTERRUPTIBLE POWER SUPPLY, SPECIAL

DUE TO THE PRESENCE OF A RED LIGHT RUNNING (RLR) CAMERA WITHIN THE PROJECT LIMITS, CONTRACTOR SHALL NOTIFY THE VILLAGE OF LIBERTYVILLE AND GATSO USA, INC. PRIOR TO THE START OF CONSTRUCTION.

VILLAGE OF LIBERTYVILLE
 200 W. COOK AVENUE
 LIBERTYVILLE, IL 60048
 847-918-2100

GATSO USA, INC.
 900 CUMMINGS CENTER, SUITE 321-U
 BEVERLY, MA 01915
 978-922-7294

THE VILLAGE OF LIBERTYVILLE OR GATSO USA, INC. SHALL MAKE THE RLR CAMERA INOPERATIVE FOR THE TIME OF CONSTRUCTION. ANY RLR CAMERA EQUIPMENT THAT IS IN CONFLICT WITH THE PROPOSED CONSTRUCTION SHALL BE REMOVED BY ITS RESPECTIVE OWNERS PRIOR TO THE START OF CONSTRUCTION.



CABLE PLAN

REMOVAL OF EXISTING TRAFFIC SIGNAL EQUIPMENT

THE FOLLOWING ITEMS SHALL BE REMOVED BY THE CONTRACTOR AND SHALL BE DISPOSED OF BY THEM OUTSIDE THE RIGHT-OF-WAY AT THEIR EXPENSE. THE SALVAGE VALUE OF THE REMOVED EQUIPMENT SHALL BE REFLECTED IN THE CONTRACT BID PRICE.

2 EACH PEDESTRIAN PUSH-BUTTON

FILE NAME =	USER NAME = *USER*	DESIGNED - DW	REVISED -
N:\Projects\3\12004\Design\CAD\Sheet Files\12-001 Sheets SE Lake Co\06675_CAB.LAKE.dgn		DRAWN - JDH	REVISED -
	PLOT SCALE = *SCALE*	CHECKED - KMM	REVISED -
	PLOT DATE = 3/28/2012	DATE -	REVISED -

STATE OF ILLINOIS
 DEPARTMENT OF TRANSPORTATION

U.S. RTE. 45 AT PETERSON ROAD. - CABLE PLAN,
 SCHEDULE OF QUANTITIES, PHASE DESIGN. DIAGRAM & EVP SEQUENCE

SCALE: N.T.S. SHEET NO. OF SHEETS STA. TO STA.

F.A. RTE.	SECTION	COUNTY	TOTAL SHEETS	SHEET NO.
	2012-003 I	LAKE	102	87
CONTRACT NO. 60T41				
ILLINOIS FED. AID PROJECT				

TS# 6675
 LIBERTYVILLE