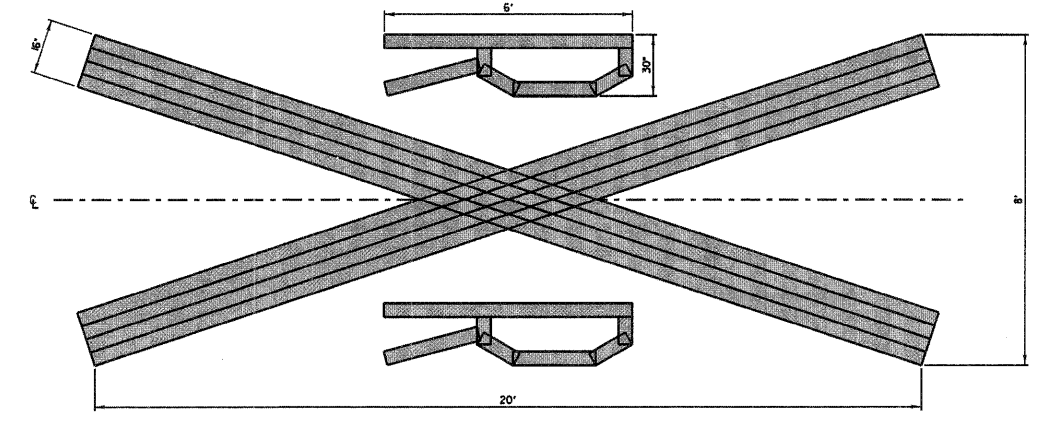
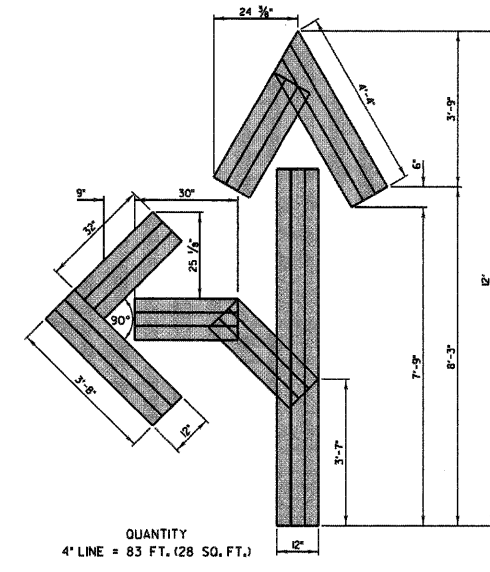
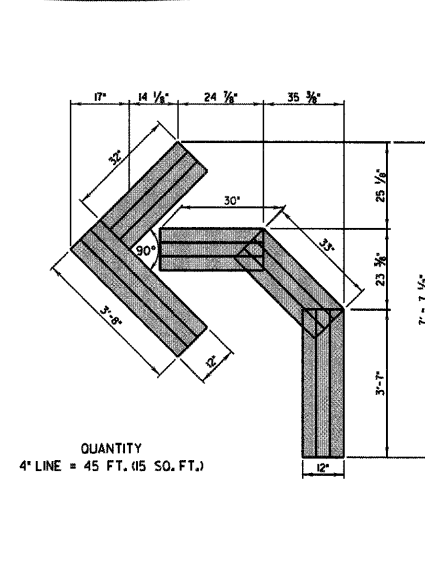
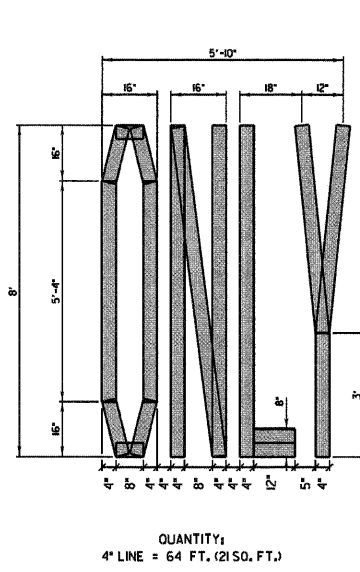
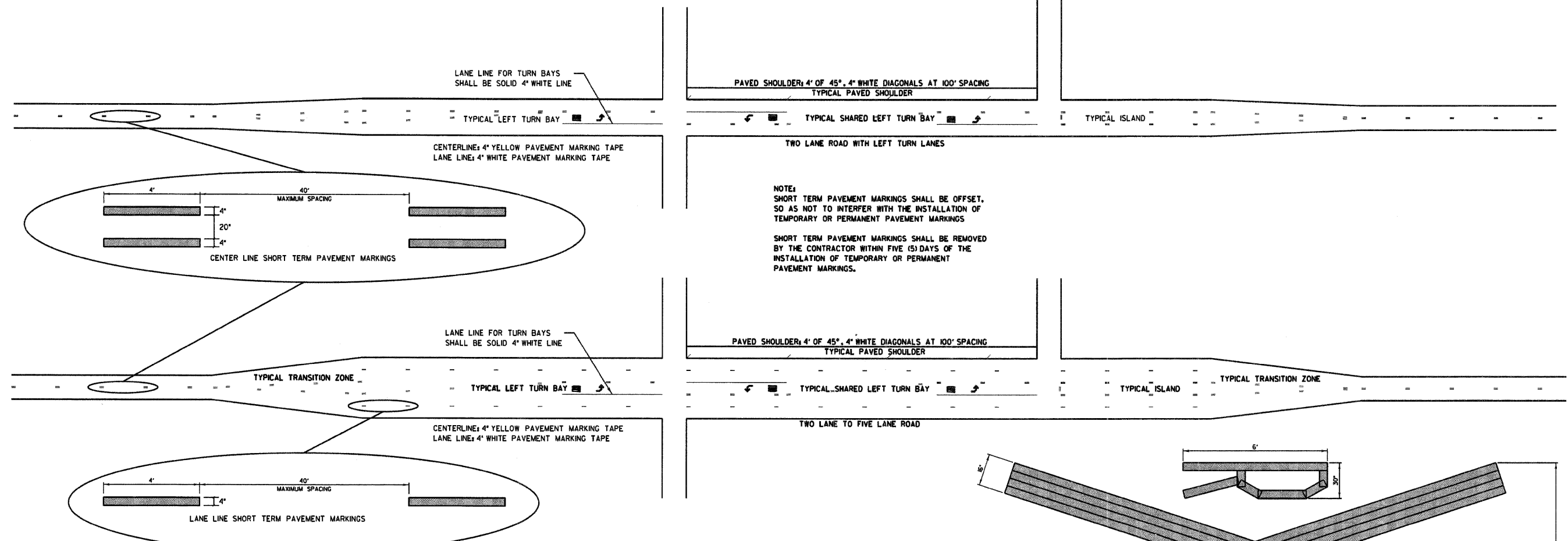


TYPICAL SHORT TERM PAVEMENT MARKINGS



REVISIONS	DATE
REMOVE DUAL DIMENSIONS	2/18/08

Lake County
Division of Transportation

APPROVED BY: A. KHAWAJA
DATE: APRIL 1, 2007

SHORT TERM PAVEMENT MARKINGS

LC7802

NO.	REVISIONS / REMARKS	DATE	BY	SURVEYOR	DSGNER/LIAISON	PLOTTED BY	DATE	PROJECT NAME	ROUTE	SECTION	SECTION NUMBER	SHEET	SHEETS
						hdmg	5/23/2011	LAKE COUNTY STANDARDS & DETAILS	CHXX	XXX	XX-XXXXX-XX-XX	XX	XX

FILE NAME: C:\Documents and Settings\hdmg\My Documents\LCDOT DETAILS\LC7802 SHORT TERM PAVEMENT MARKINGS.dgn

DATE	
BY	
SURVEYED	
TEMP. PLT.	
NOTE BOOK	
AREAS CHECKED	

DATE	
BY	
SURVEYED	
TEMP. PLT.	
NOTE BOOK	
AREAS CHECKED	

CIVILTECH
450 E Devon Ave, Suite 300
Itasca, Illinois 60143
Tel: 630.773.3900 Fax: 630.773.3975
www.civiltechinc.com

DESIGNED -	JRR	REVISED -	
DRAWN -	JRR	REVISED -	
CHECKED -	RTM	REVISED -	
DATE	10/24/2011	REVISED -	

STATE OF ILLINOIS
DEPARTMENT OF TRANSPORTATION

Lake County
Division of Transportation

SHEET NO. 9 OF 9 SHEETS STA. TO STA.

F.A.U. RTE.	SECTION	COUNTY	TOTAL SHEETS	SHEET NO.
364	02-00051-08-WR	LAKE	188	188
FED. ROAD DIST. NO. 1				ILLINOIS FED. AID PROJECT

CONTRACT NO. 63649