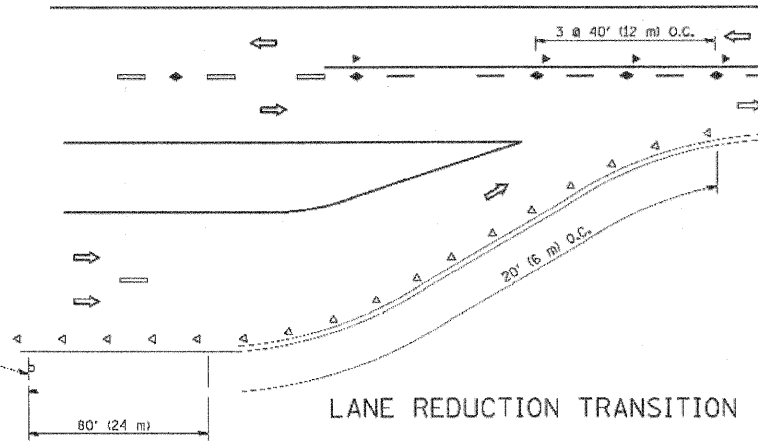
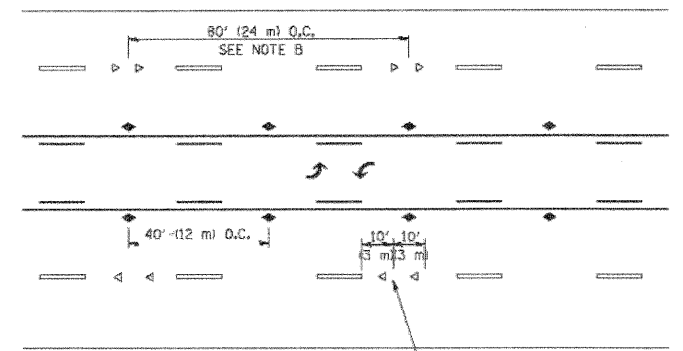


*** REDUCE TO 40' (12 m) O.C. ON CURVES WITH POSTED OR ADVISORY SPEED 45 M.P.H. (70 km/h) OR LESS.

TWO-LANE/TWO-WAY

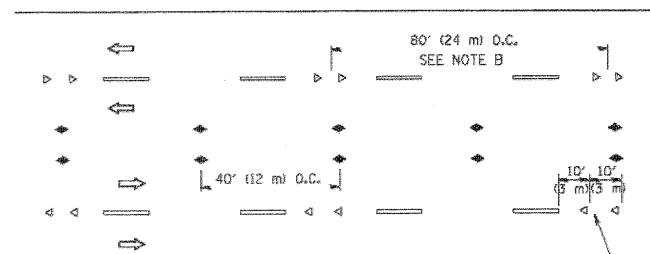


LANE REDUCTION TRANSITION



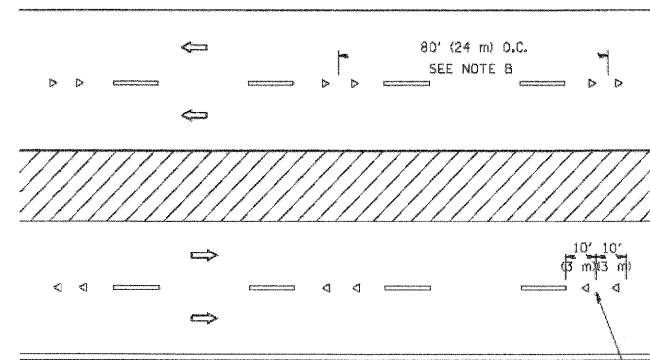
SEE NOTE A

TWO-WAY LEFT TURN



SEE NOTE A

MULTI-LANE/UNDIVIDED



SEE NOTE A

MULTI-LANE/DIVIDED

GENERAL NOTES

1. MARKERS USED WITH DASHED LINES SHALL BE CENTERED IN THE GAP BETWEEN SEGMENTS.
2. MARKERS USED ADJACENT TO SOLID LINES SHALL BE OFFSET 2 TO 3 (50 TO 75) TOWARD TRAFFIC AS SHOWN.
3. MARKERS THROUGH TANGENTS LESS THAN 500' (150 m) IN LENGTH BETWEEN CURVES SHALL BE INSTALLED AT THE LESSER OF THE TWO CURVE SPACINGS.

LANE MARKER NOTES

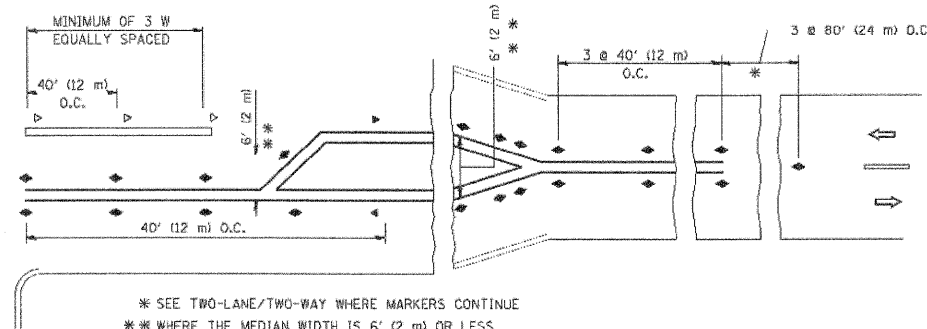
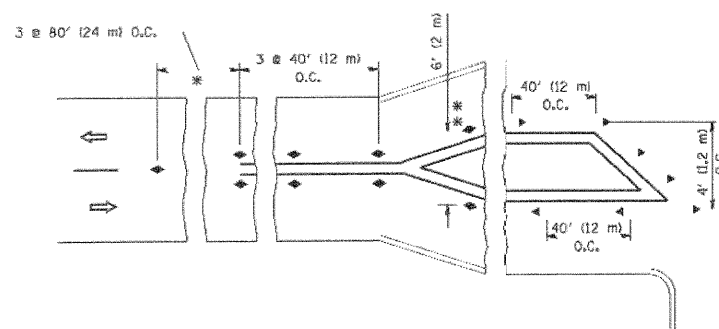
- A. USE DOUBLE LANE LINE MARKERS SPACED AS SHOWN.
- B. REDUCE TO 40' (12 m) O.C. ON CURVES WHERE ADVISORY SPEEDS ARE 10 M.P.H. (20 km/h) LOWER THAN POSTED SPEEDS.

SYMBOLS

- YELLOW STRIPE
- WHITE STRIPE
- ▲ ONE-WAY AMBER MARKER
- ◀ ONE-WAY CRYSTAL MARKER (W/O)
- ◆ TWO-WAY AMBER MARKER

DESIGN NOTES

1. DOUBLE LANE LINE MARKERS SHALL BE USED UNLESS SPECIFIED OTHERWISE.
2. EXCEPT AS SHOWN ON THE LANE REDUCTION TRANSITION AND FREEWAY EXIT RAMP DETAIL, MARKERS ARE NOT TO BE SPECIFIED ON RIGHT EDGE LINES.
3. THE EXACT MARKER LIMITS, SPACING, AND COLOR SHOULD BE INCLUDED IN THE PLANS.
4. MARKERS SHOULD NOT BE USED ALONGSIDE CURBS EXCEPT FOR EXTREMELY SHORT SECTIONS OF CURBS WHERE NOT MORE THAN TWO MARKERS WOULD BE INVOLVED.



* SEE TWO-LANE/TWO-WAY WHERE MARKERS CONTINUE
 ** WHERE THE MEDIAN WIDTH IS 6' (2 m) OR LESS USE TWO-WAY MARKERS.

LEFT TURN

All dimensions are in inches (millimeters) unless otherwise shown.

COMPANY NAME: HRGreen
 PROJECT CONTACT: HRGreen.com
 CLIENT: Illinois Professional Design Firm
 DATE PLOTTED: 4/5/2012 5:06:46 PM
 FILE NAME: 10-00084-00-CH
 PLOT DATE: 4/5/2012



USER NAME =	DESIGNED -	REVISED - T., RAMMACHER 09-19-94
	DRAWN -	REVISED - T., RAMMACHER 03-12-99
PLOT SCALE = 1/8" = 1'-0"	CHECKED -	REVISED - T., RAMMACHER 01-06-00
PLOT DATE = 4/5/2012	DATE - 4/5/12	REVISED - C. JUCLUS 09-09-09

STATE OF ILLINOIS
 DEPARTMENT OF TRANSPORTATION

TYPICAL APPLICATIONS	
RAISED REFLECTIVE PAVEMENT MARKERS (SNOW-PLOW RESISTANT)	
SCALE: NONE	SHEET NO. 1 OF 1 SHEETS STA. TO STA.

F.A.P. RTE.	SECTION	COUNTY	TOTAL SHEETS	SHEET NO.
338	10-00084-00-CH	COOK	63	46
TC-11			CONTRACT NO. 63711	
FED. ROAD DIST. NO. 1 ILLINOIS FED. AID PROJECT				