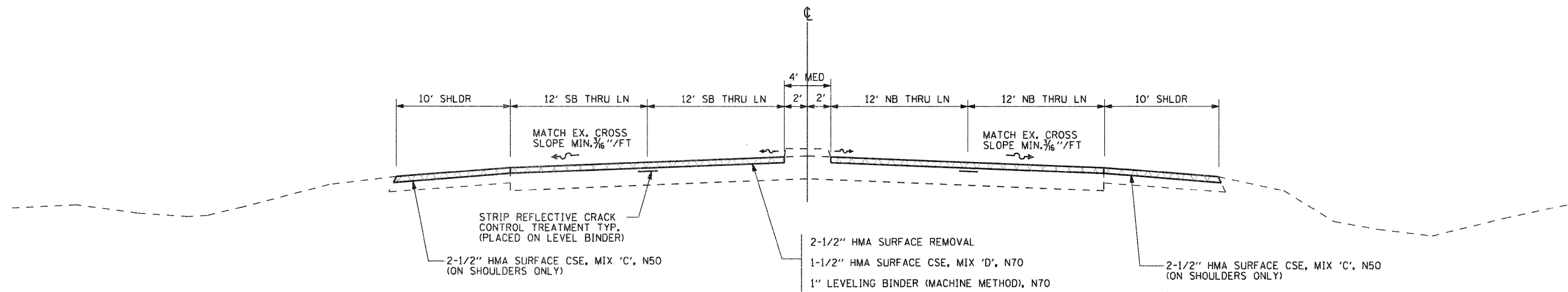
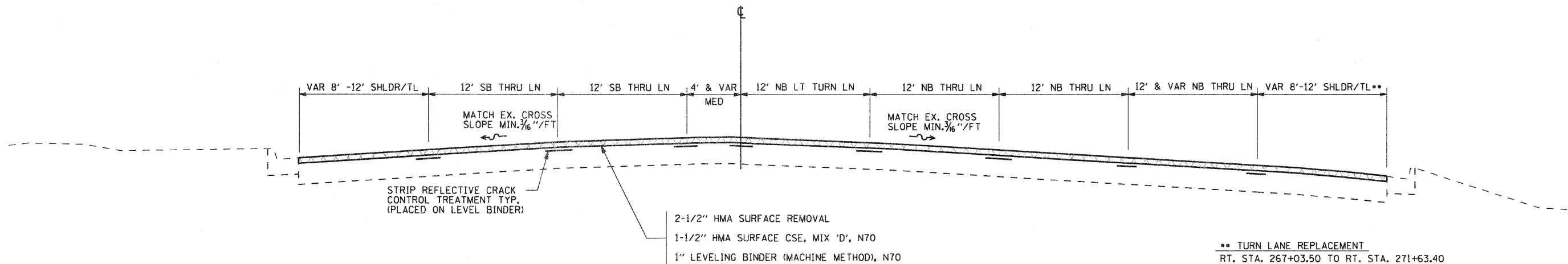


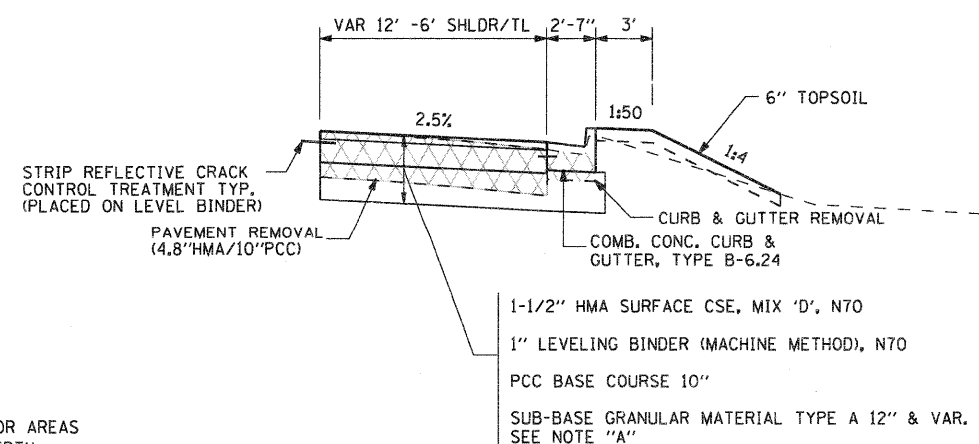
OMISSION
 STA. 244+95.00 - 253+78.00
 IL ROUTE 2
 STA. 253+78.00 - STA. 262+94.74



IL ROUTE 2
 STA. 262+94.74 - STA. 270+28.50



•• TURN LANE REPLACEMENT
 RT. STA. 267+03.50 TO RT. STA. 271+63.40



NOTE "A"
 SEE SCHEDULE FOR AREAS
 OF INCREASED DEPTH

HMA MIXTURE APPLICATION RATE = 112 LB/SY/IN

FILE NAME =	USER NAME = petp	DESIGNED -	REVISED -	STATE OF ILLINOIS DEPARTMENT OF TRANSPORTATION	FAP 742 (IL 2) TYPICAL SECTIONS	F.A.P. RTE.	SECTION	COUNTY	TOTAL SHEETS	SHEET NO.	
G:\2010\TRANS\B10T00\VDGN\Typicals\081500-Typical.dgn		DRAWN -	REVISED -			734	34R	WINNEBAGO	491	21	
PLOT SCALE = 10.0000' / IN.		CHECKED -	REVISED -			CONTRACT NO. 64515					
PLOT DATE = 1/25/2012		DATE -	REVISED -			ILLINOIS FED. AID PROJECT					