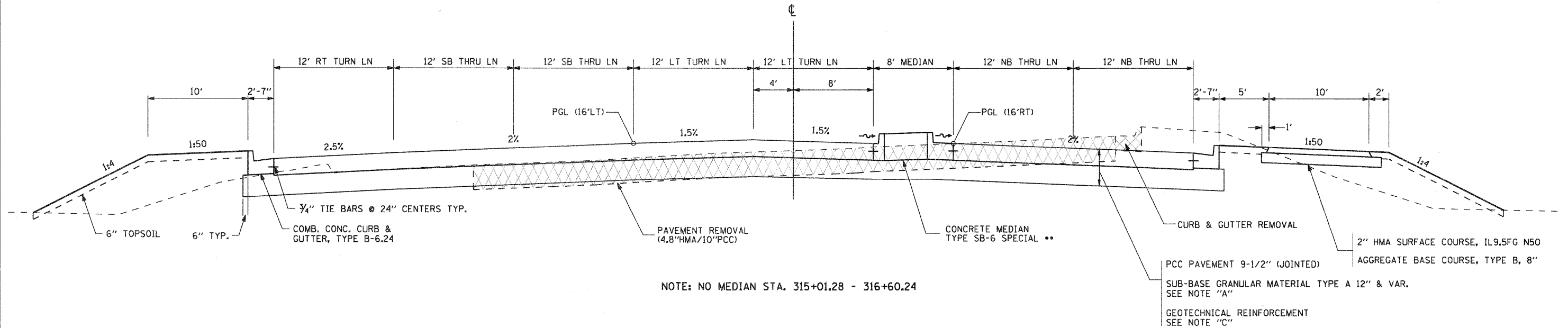
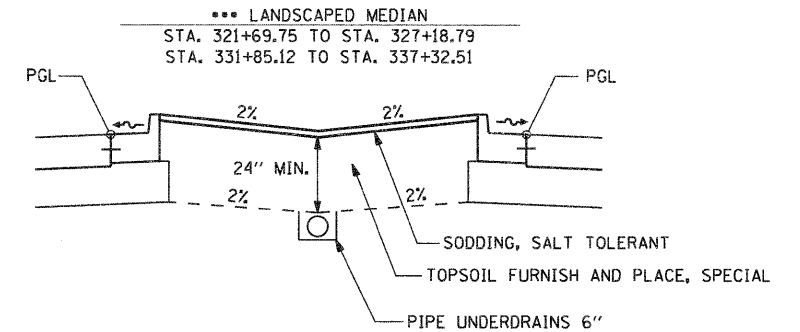
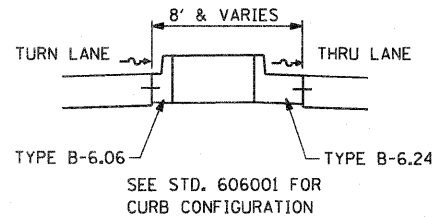


IL ROUTE 2
STA. 315+77.18 - STA. 320+53.10

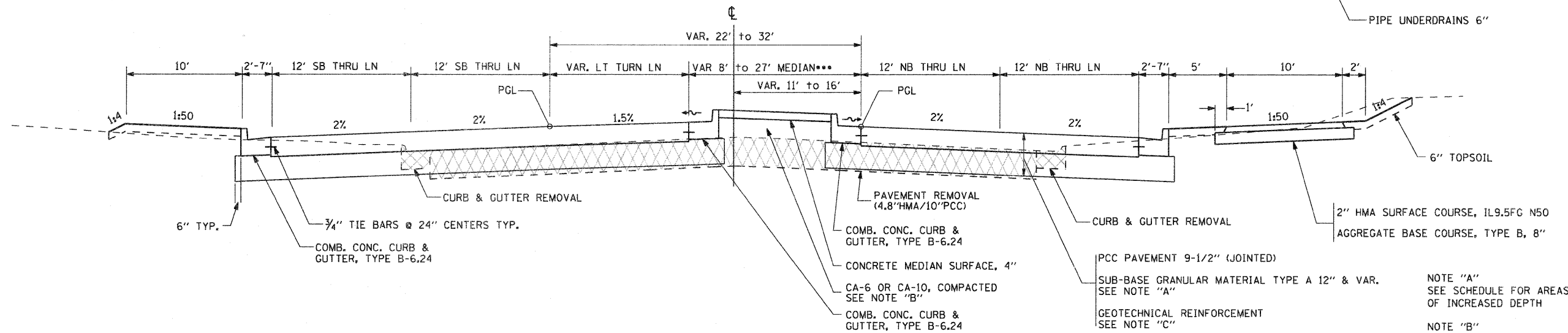


NOTE: NO MEDIAN STA. 315+01.28 - 316+60.24

•• CONCRETE MEDIAN TYPE SB-6 SPECIAL
STA. 316+60.24 TO STA. 321+69.75



IL ROUTE 2
STA. 320+53.10 - STA. 325+90.10



NOTE "A"
SEE SCHEDULE FOR AREAS
OF INCREASED DEPTH

NOTE "B"
THE COST OF THE CA-6 OR CA-10
IS TO BE INCLUDED IN THE COST
OF EACH TYPE OF MEDIAN

NOTE "C"
SEE SCHEDULE FOR AREAS TO
RECEIVE GEOTECHNICAL REINFORCEMENT

HMA MIXTURE APPLICATION RATE = 112 LB/SY/IN

FILE NAME =	USER NAME = petp	DESIGNED -	REVISED -	STATE OF ILLINOIS DEPARTMENT OF TRANSPORTATION	FAP 742 (IL 2) TYPICAL SECTIONS	F.A.P. RTE.	SECTION	COUNTY	TOTAL SHEETS	SHEET NO.	
G:\2010\TRANS\B101001\DCN\Typical\081500-Typical.dgn	PLOT SCALE = 10.0000' / IN.	DRAWN -	REVISED -			734	34R	WINNEBAGO	491	25	
PLOT DATE = 1/25/2012	DATE -	CHECKED -	REVISED -			CONTRACT NO. 64515					
		DATE -	REVISED -			ILLINOIS FED. AID PROJECT					