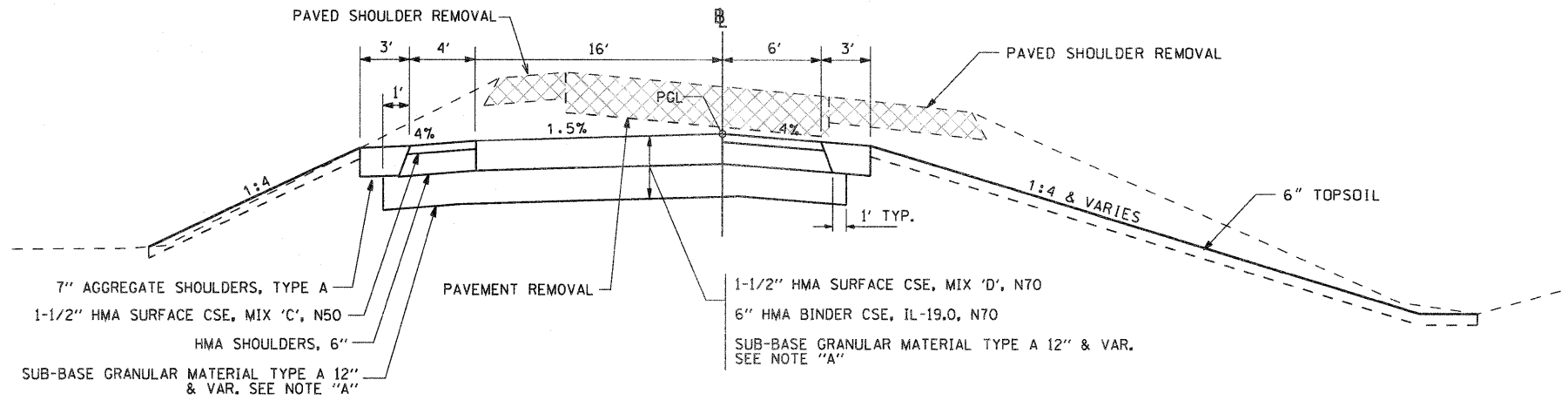
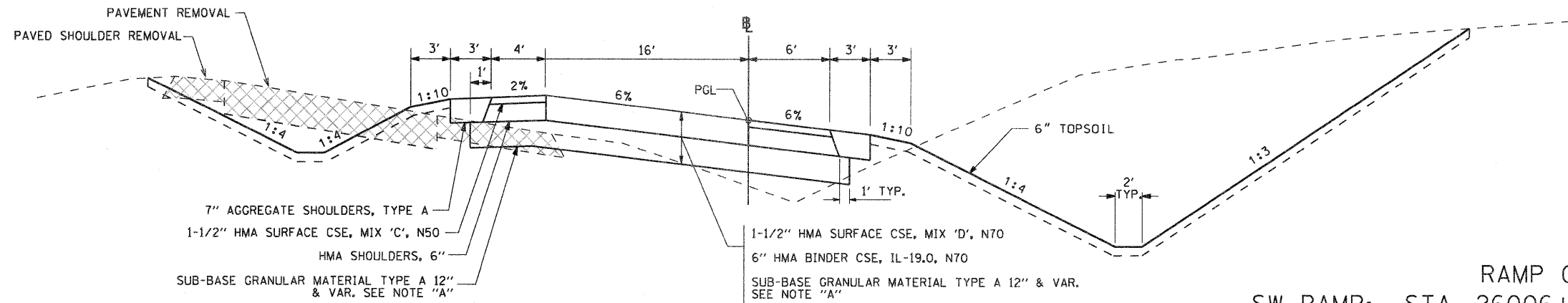


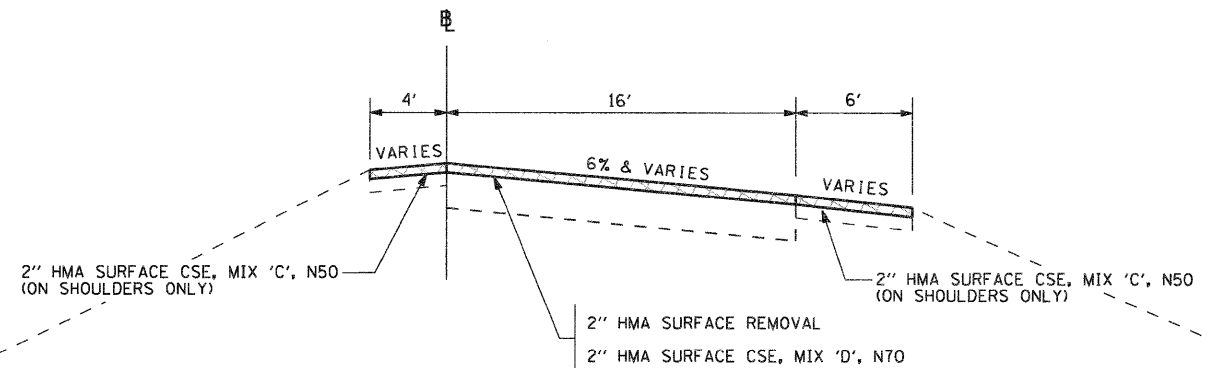
SW RAMP  
STA. 26016+50.00 - STA. 26019+83.69



SE RAMP  
STA. 10+00 - STA. 18+38.25



- RAMP OVERLAYS
- SW RAMP: STA. 26006+95.93 - STA. 26016+50.00
  - SE RAMP: STA. 24011+34.59 - STA. 24019+82.84
  - NW RAMP: STA. 26998+83.21 - STA. 27014+15.28
  - NE RAMP: STA. 25007+02.72 - STA. 25019+57.89



NOTE "A"  
SEE SCHEDULE FOR AREAS  
OF INCREASED DEPTH

HMA MIXTURE APPLICATION RATE = 112 LB/SY/IN

FILE NAME = G:\2010\TRANS\B10T001\0GN\Typicals\021502-Typical.dgn	USER NAME = pete	DESIGNED -	REVISED -	<b>STATE OF ILLINOIS DEPARTMENT OF TRANSPORTATION</b>	<b>FAP 742 (IL 2) TYPICAL SECTIONS</b>			F.A.P. RTE. 734	SECTION 34R	COUNTY WINNEBAGO	TOTAL SHEETS 491	SHEET NO. 28
PLOT SCALE = 10.0000' / IN.	CHECKED -	REVISED -	SCALE: N/A					SHEET NO. OF SHEETS	STA. TO STA.	CONTRACT NO. 64515		
PLOT DATE = 1/25/2012	DATE -	REVISED -	ILLINOIS FED. AID PROJECT									