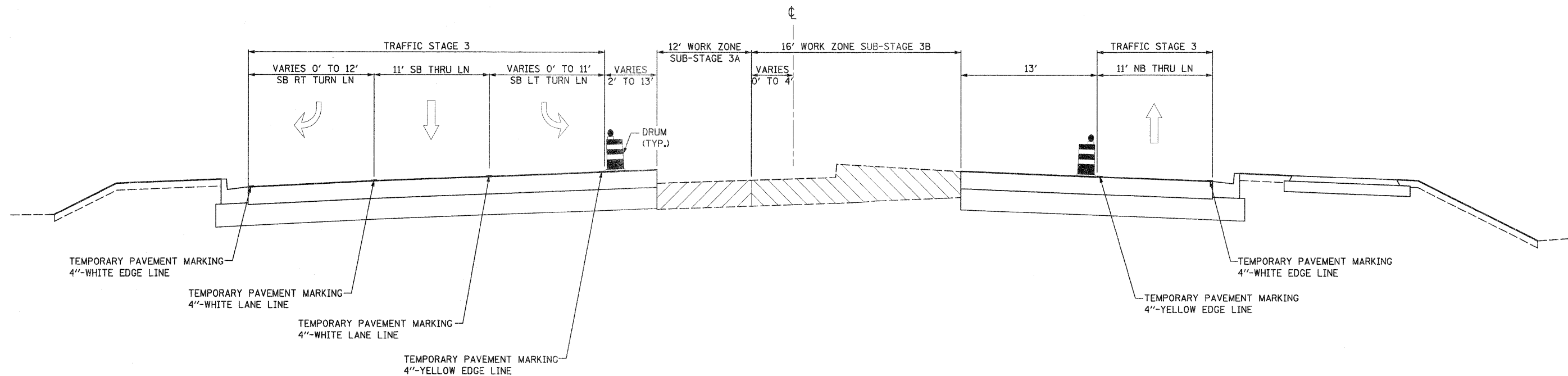
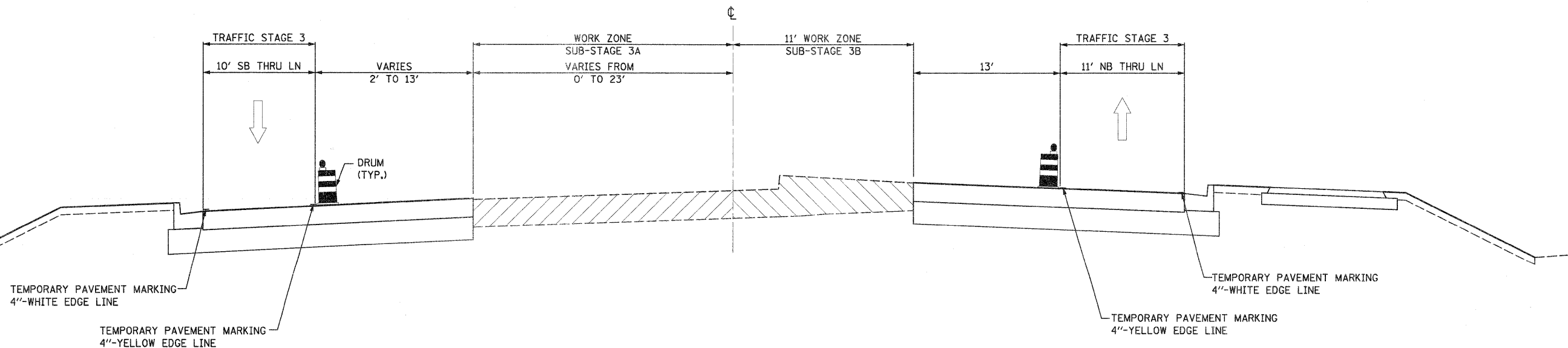


IL ROUTE 2
STA. 316+42.07 - STA. 321+33.43



IL ROUTE 2
STA. 321+33.43 - STA. 333+50.85



FILE NAME = D201500-sh1t-staging02_typical18.dgn	USER NAME = TERRA	DESIGNED - BCB	REVISED -	STATE OF ILLINOIS DEPARTMENT OF TRANSPORTATION	MAINTENANCE OF TRAFFIC STAGE III TYPICAL SECTIONS			F.A. RTE. 742	SECTION 34R	COUNTY WINNEBAGO	TOTAL SHEETS 491	SHEET NO. 108
PLOT SCALE = 10.0000' / IN.	CHECKED - DPA	DATE - 01/17/12	REVISED -		SCALE:	SHEET NO. OF SHEETS	STA. TO STA.	ILLINOIS FED. AID PROJECT				
PLOT DATE = 1/16/2012	DATE - 01/17/12	REVISED -	REVISED -									
CONTRACT NO. 64515												