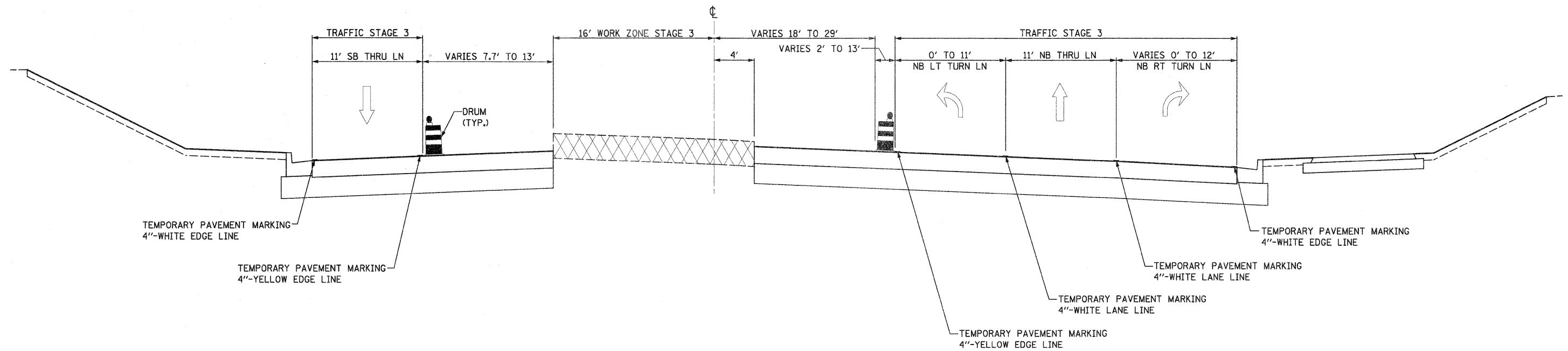
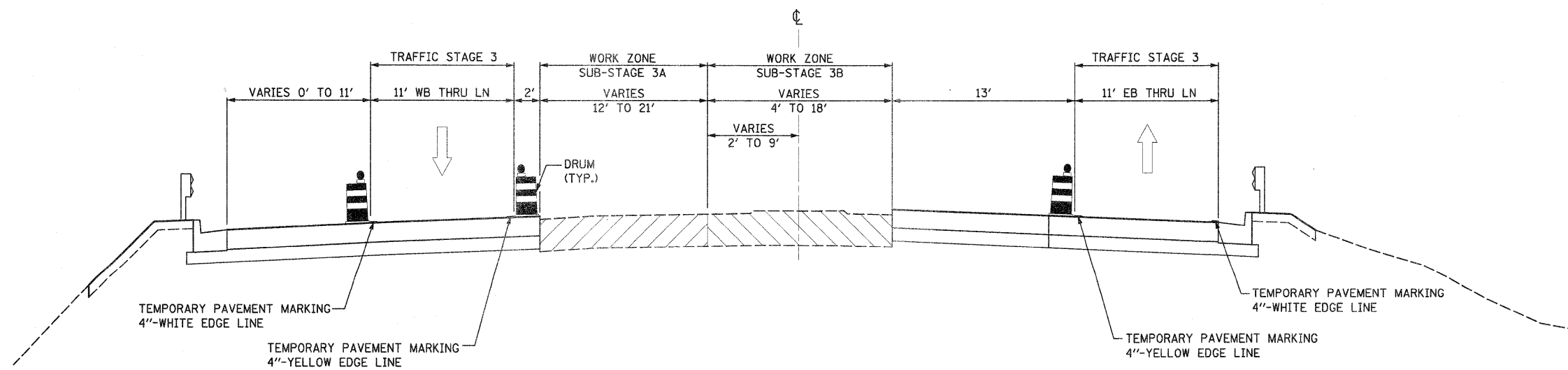


IL ROUTE 2
 STA. 306+82.00 - STA. 314+32.19



HARRISON AVENUE
 STA. 37+95.65 - STA. 41+21.11



FILE NAME =
 0201500-sht-staging02-typical20.dgn

USER NAME = TERRA
 PLOT SCALE = 1/8" = 1' / 31.68"
 PLOT DATE = 1/16/2012

DESIGNED - BCB
 DRAWN - CVM
 CHECKED - DPA
 DATE - 01/17/12

REVISED -
 REVISED -
 REVISED -
 REVISED -

STATE OF ILLINOIS
 DEPARTMENT OF TRANSPORTATION

MAINTENANCE OF TRAFFIC
 STAGE III TYPICAL SECTIONS

SCALE: SHEET NO. OF SHEETS STA. TO STA.

F.A. RTE.	SECTION	COUNTY	TOTAL SHEETS	SHEET NO.
742	34R	WINNEBAGO	491	110
CONTRACT NO. 64515				
ILLINOIS FED. AID PROJECT				