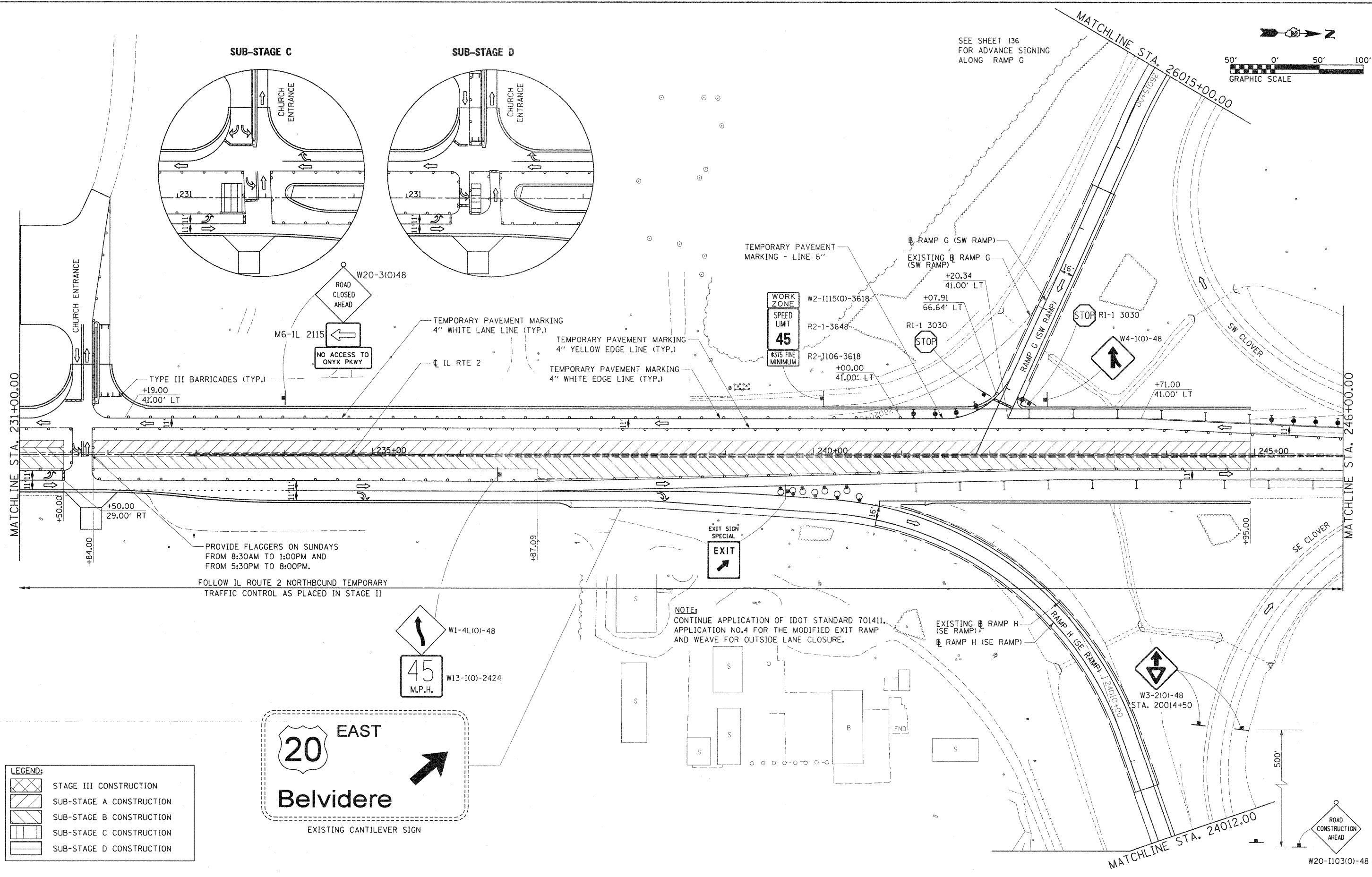
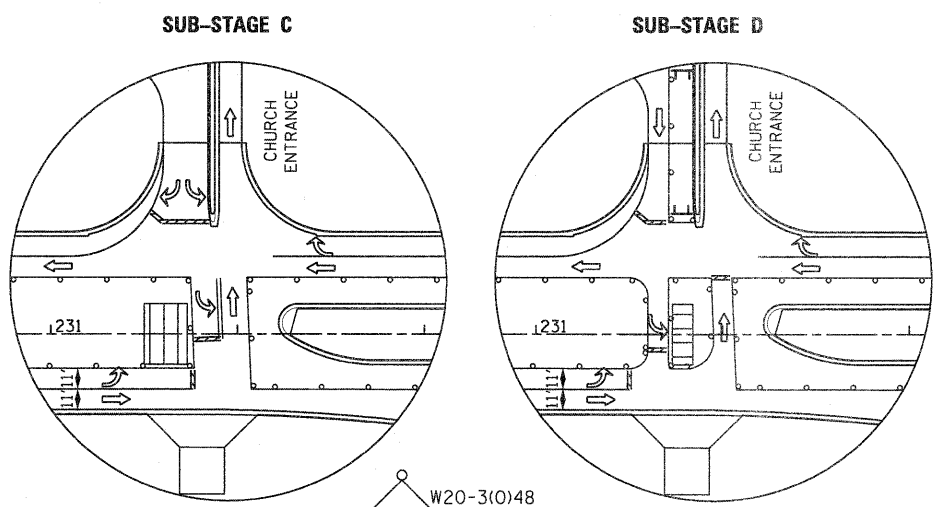
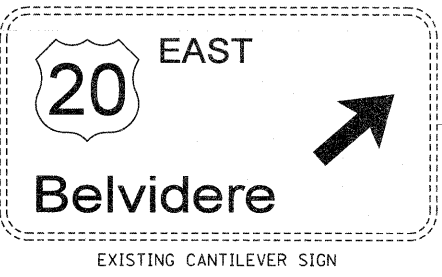
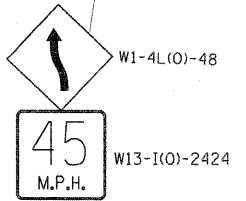
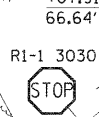
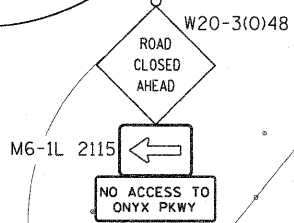


SEE SHEET 136
FOR ADVANCE SIGNING
ALONG RAMP G



TYPE III BARRICADES (TYP.)
+19.00
41.00' LT



NOTE:
CONTINUE APPLICATION OF IDOT STANDARD 701411,
APPLICATION NO.4 FOR THE MODIFIED EXIT RAMP
AND WEAVE FOR OUTSIDE LANE CLOSURE.

PROVIDE FLAGGERS ON SUNDAYS
FROM 8:30AM TO 1:00PM AND
FROM 5:30PM TO 8:00PM.
FOLLOW IL ROUTE 2 NORTHBOUND TEMPORARY
TRAFFIC CONTROL AS PLACED IN STAGE II

LEGEND:

	STAGE III CONSTRUCTION
	SUB-STAGE A CONSTRUCTION
	SUB-STAGE B CONSTRUCTION
	SUB-STAGE C CONSTRUCTION
	SUB-STAGE D CONSTRUCTION

FILE NAME = D281520-ah-t-staging36.dgn	USER NAME = TERRA	DESIGNED - BCB	REvised -	STATE OF ILLINOIS DEPARTMENT OF TRANSPORTATION	MAINTENANCE OF TRAFFIC PLAN STAGE III	F.A. RTE. 742	SECTION 34R	COUNTY WINNEBAGO	TOTAL SHEETS 491	SHEET NO. 149	
PLOT SCALE = 50.0000' / 1"	CHECKED - DPA	DATE - 01/17/12	REvised -			SCALE: 1" = 50'	SHEET NO. 2 OF 7 SHEETS	STA. 231+00.00 TO STA. 246+00.00	CONTRACT NO. 64515		ILLINOIS FED. AID PROJECT
PLOT DATE = 1/16/2012	DATE - 01/17/12	REvised -	REvised -								