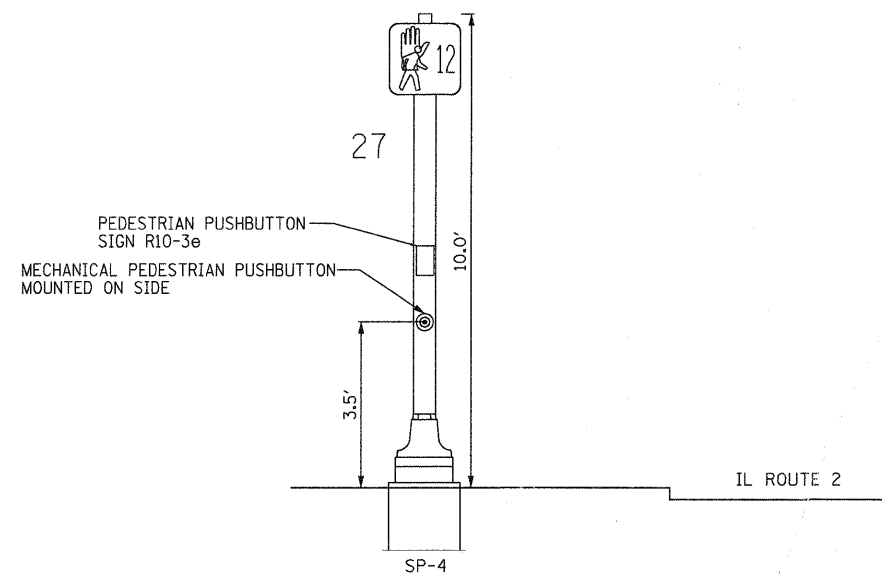


NORTHBOUND PEDESTRIAN SIGNAL  
 NORTHEAST CORNER OF N. IL ROUTE 2 AND  
 SPRINGFIELD AVE/HARRISON AVENUE



SOUTHBOUND PEDESTRIAN SIGNAL  
 SOUTHEAST CORNER OF IL ROUTE 2 AND  
 SPRINGFIELD AVE/HARRISON AVENUE

|                                     |                             |                |                           |   |  |                    |                         |           |                 |              |
|-------------------------------------|-----------------------------|----------------|---------------------------|---|--|--------------------|-------------------------|-----------|-----------------|--------------|
| FILE NAME =<br>D201500-sh1-ta05.dgn | USER NAME = TERRA           | DESIGNED - MCH | REVISED -                 | <b>STATE OF ILLINOIS<br/>DEPARTMENT OF TRANSPORTATION</b> | <b>TRAFFIC SIGNAL INSTALLATION PLAN SIGNAL POST DETAILS<br/>AND LIGHTING CONTROLLER DETAIL</b> | F.A.<br>RTE.       | SECTION                 | COUNTY    | TOTAL<br>SHEETS | SHEET<br>NO. |
|                                     | PLOT SCALE = 4.0000' / 1IN. | DRAWN - MCH    | REVISED -                 |   |  | 742                | 34R                     | WINNEBAGO | 491             | 300          |
|                                     | PLOT DATE = 2/3/2012        | CHECKED - DPA  | REVISED -                 |   |  | CONTRACT NO. 64515 |                         |           |                 |              |
|                                     | DATE - 01/17/12             | REVISED -      | ILLINOIS FED. AID PROJECT |   |  |                    |                         |           |                 |              |
|                                     |                             |                |                           |   |  | SCALE:             | SHEET NO. 5 OF 5 SHEETS | STA.      | TO STA.         |              |