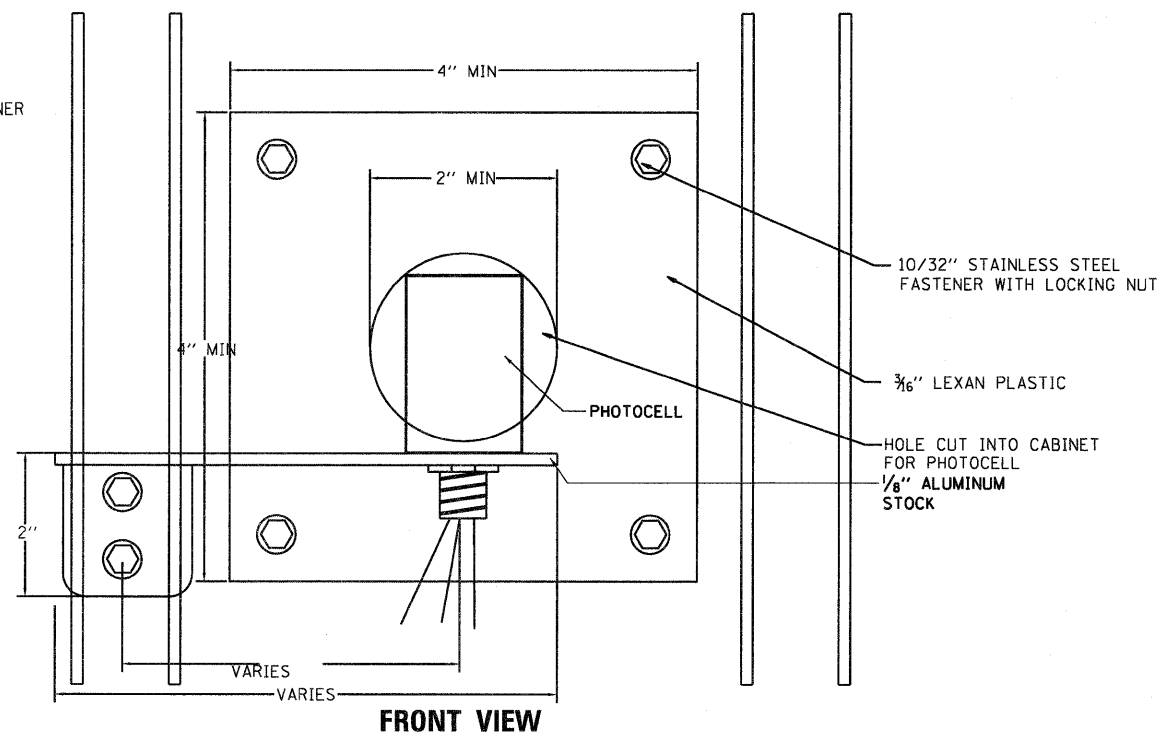
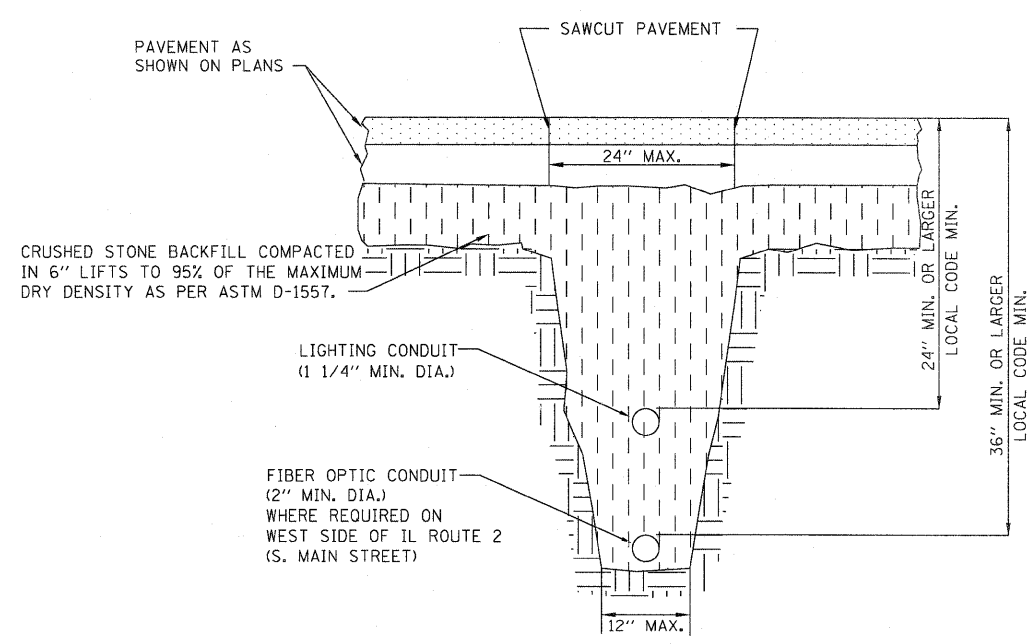


SIDE VIEW

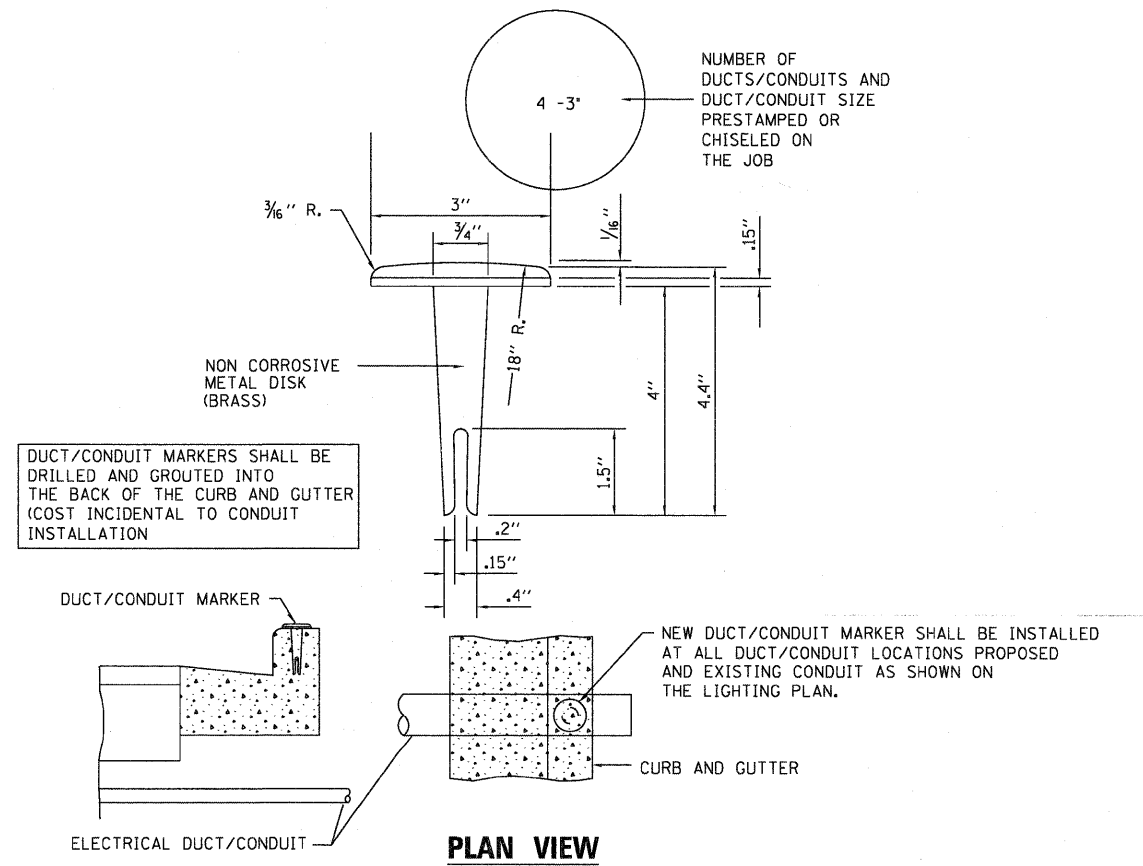


FRONT VIEW

PHOTOCELL MOUNTING DETAIL



FIBER OPTICS AND STREET LIGHTING CONDUIT TRENCH



PLAN VIEW

DUCT MARKER DETAIL
NOT TO SCALE

DIRECTORY = L:\ROCKFORD\1126094\1D\04\ACADD_Sheets\0264515_Miseman.dwg

<p>CMT CRAWFORD, MURPHY & TILLY, INC. CONSULTING ENGINEERS License No. 184-000613</p>	USER NAME = H&B Workstation Aurora FILE NAME = D264515-shd-light513.dgn PLOT SCALE = 20.0000' / in. PLOT DATE = 1/25/2012 - 2:04:26 PM	DESIGNED - AS DRAWN - JWD CHECKED - AB DATE -	REVISED - REVISED - REVISED - REVISED -	STATE OF ILLINOIS DEPARTMENT OF TRANSPORTATION	ROADWAY LIGHTING DETAIL CONDUIT TRENCH - DUCT MARKER - PHOTOCELL MOUNTING				F.A.P. RTE. = 742 SECTION = 34R COUNTY = WINNEBAGO ILLINOIS FED. AID PROJECT	TOTAL SHEETS = 491 SHEET NO. = 313 CONTRACT NO. = 64515
	SCALE: N/A				SHEET 17 OF 20 SHEETS STA. TO STA.					