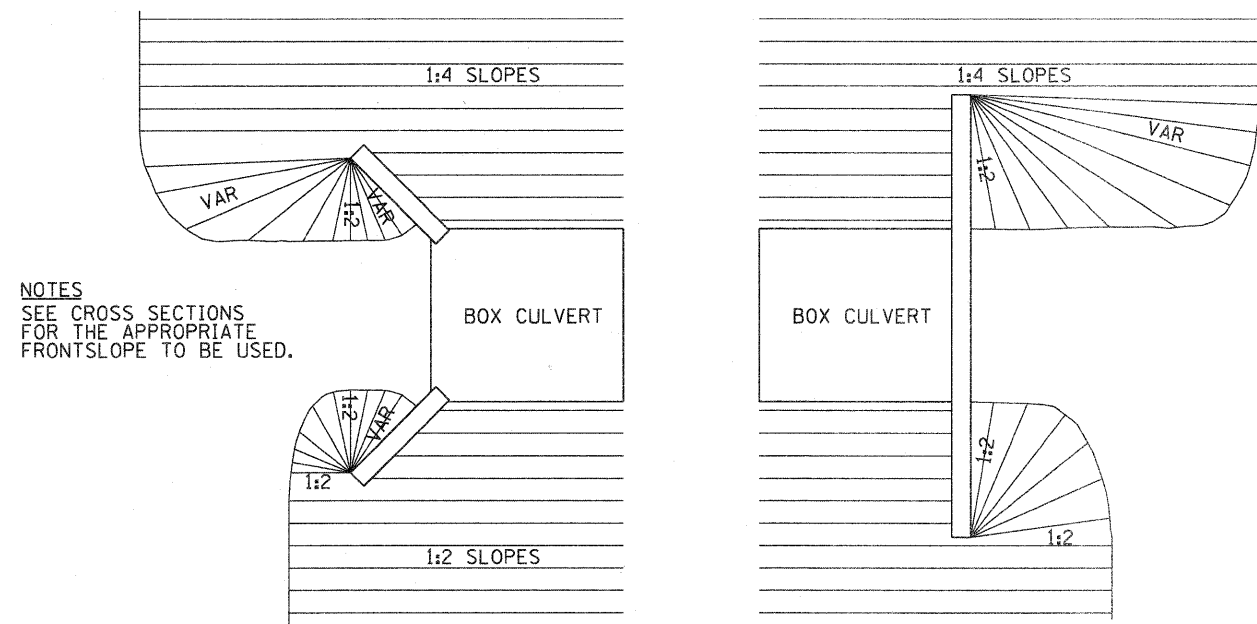


# GRADING AROUND WINGWALLS

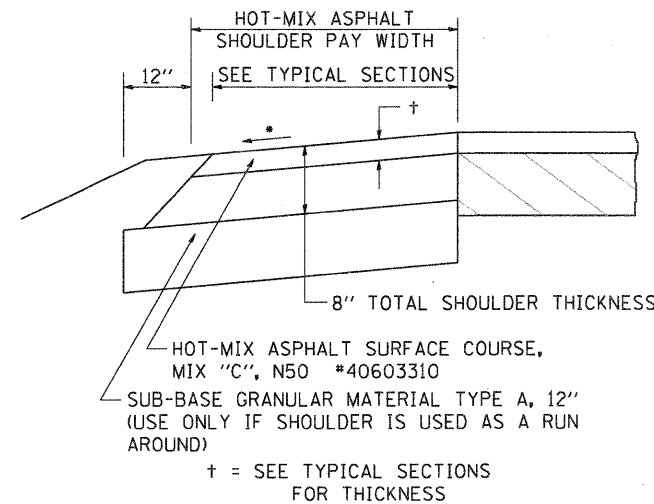


NOTES  
SEE CROSS SECTIONS  
FOR THE APPROPRIATE  
FRONTSLOPE TO BE USED.

5-27-09

GRADING AROUND WINGWALLS 20.4

# HOT-MIX ASPHALT SHOULDER



## GENERAL NOTES

THE HOT-MIX ASPHALT SHOULDER SHALL BE CONSTRUCTED IN ACCORDANCE WITH SECTION 482 EXCEPT THE TOP LIFT SHALL BE HOT-MIX ASPHALT SURFACE COURSE, MIX "C", N50 \*40603310. THE WORK WILL BE PAID FOR AT THE CONTRACT UNIT PRICE PER TON FOR HOT-MIX ASPHALT SURFACE COURSE, MIX "C", N50 \*40603310 AND SQUARE YARD FOR HOT-MIX ASPHALT SHOULDERS OF THE THICKNESS SPECIFIED.

USE HOT-MIX ASPHALT SURFACE COURSE, MIX "C", N50 \*40603310. WHEN RESURFACING EXISTING HOT-MIX ASPHALT SHOULDERS. THE THICKNESS IS SHOWN ON THE TYPICAL SECTIONS. THIS WORK WILL BE PAID FOR AT THE CONTRACT UNIT PRICE PER TON FOR HOT-MIX ASPHALT SURFACE COURSE, MIX "C", N50 \*40603310.

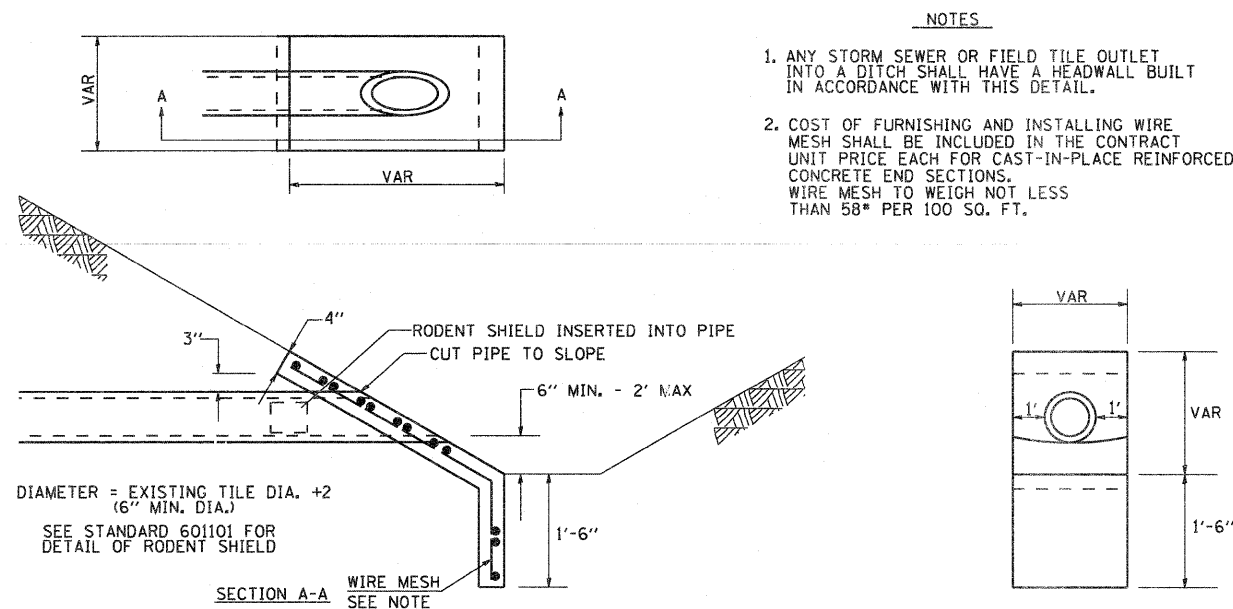
REMOVAL OF MATERIAL FOR PLACEMENT OF THE HOT-MIX ASPHALT SHOULDER TO BE PAID FOR IN UNITS FOR EXCAVATING AND GRADING EXISTING SHOULDERS OR IN CUBIC YARDS FOR EARTH EXCAVATION OR EARTH EXCAVATION WIDENING.

\* 4% WHEN MAINLINE IS ON TANGENT. FOR CROSS SLOPE ON SUPERELEVATION SECTION, SEE HIGHWAY STANDARD 482001 OR 482006.

REVISED - 6-06-11

HOT-MIX ASPHALT SHOULDER 23.4a

# CAST-IN-PLACE REINFORCED CONCRETE END SECTIONS



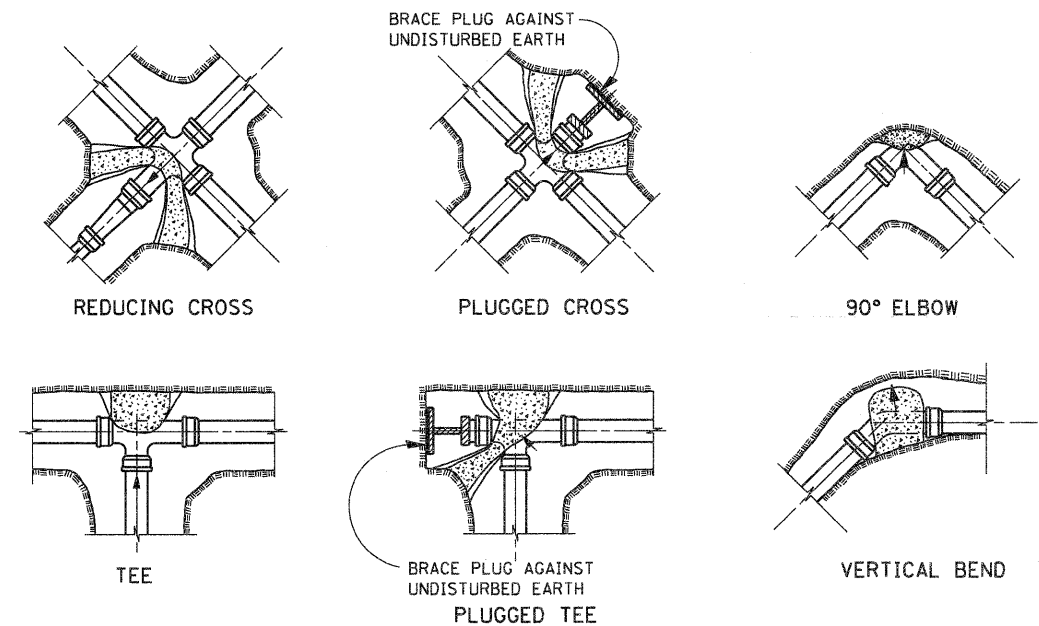
## NOTES

1. ANY STORM SEWER OR FIELD TILE OUTLET INTO A DITCH SHALL HAVE A HEADWALL BUILT IN ACCORDANCE WITH THIS DETAIL.
2. COST OF FURNISHING AND INSTALLING WIRE MESH SHALL BE INCLUDED IN THE CONTRACT UNIT PRICE EACH FOR CAST-IN-PLACE REINFORCED CONCRETE END SECTIONS. WIRE MESH TO WEIGH NOT LESS THAN 58# PER 100 SQ. FT.

REVISED - 9-07-10

CAST-IN-PLACE REINFORCED CONCRETE END SECTIONS 28.4

# THRUST BLOCK DETAILS



NOTES:  
ALL BLOCKS TO BEAR AGAINST UNDISTURBED EARTH.  
ARROWS INDICATE DIRECTION OF THRUST.  
ALL BLOCKS TO BE CLASS SI CONCRETE.  
ALL FITTINGS SHOWN IN PLAN EXCEPT VERTICAL BEND.

ALL DIMENSIONS ARE IN INCHES UNLESS OTHERWISE NOTED.

REVISED - 10-3-11	REGION 2 / DISTRICT 2 STANDARD		F.A. RTE.	SECTION	COUNTY	TOTAL SHEETS	SHEET NO.
REVISED -			742	34R	WINNEBAGO	491	335
REVISED -			CONTRACT NO. 64515				
REVISED -			FED. ROAD DIST. NO. [ILLINOIS] FED. AID PROJECT				

THRUST BLOCK DETAILS 34.4