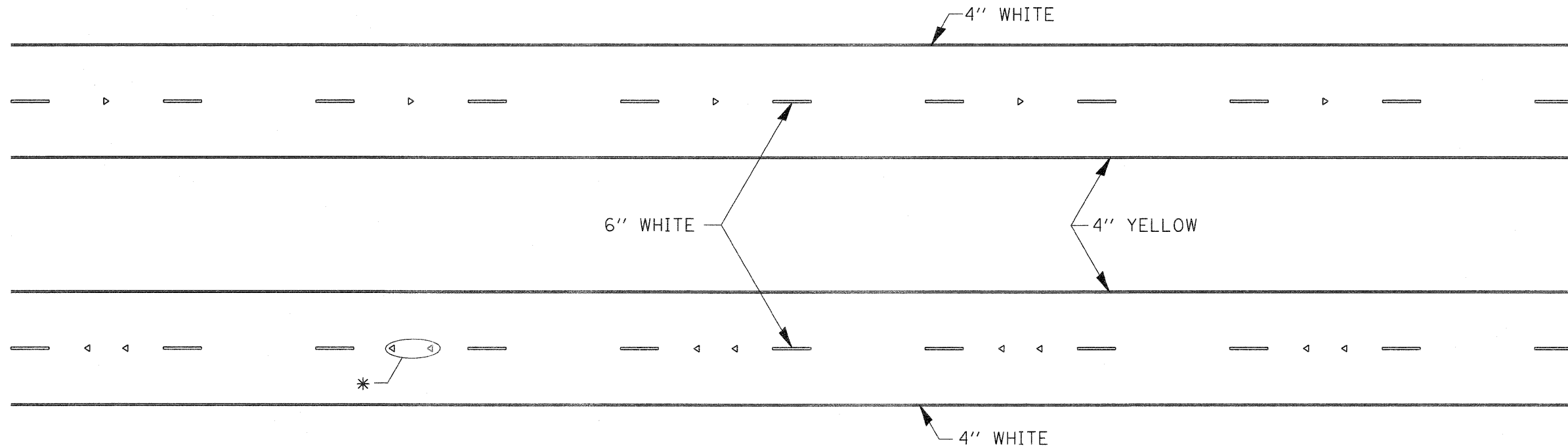
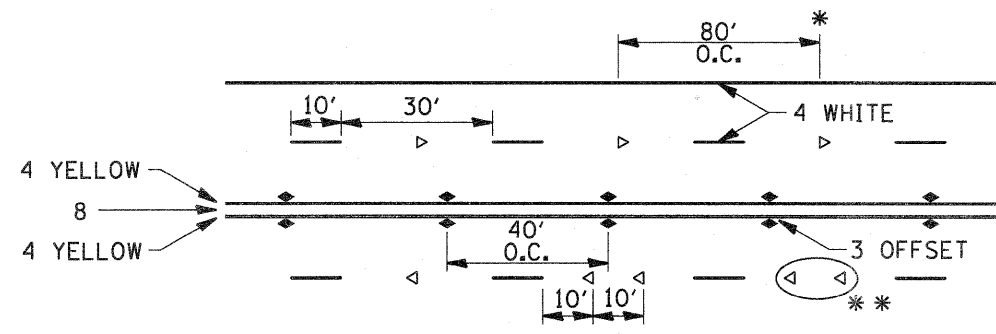


# TYPICAL PAVEMENT MARKINGS



\* SEE HIGHWAY STANDARD 781001 FOR SPACING DETAILS.  
USE DOUBLE MARKERS WHEN ADT  $\geq$  25,000.

## MULTI-LANE / DIVIDED

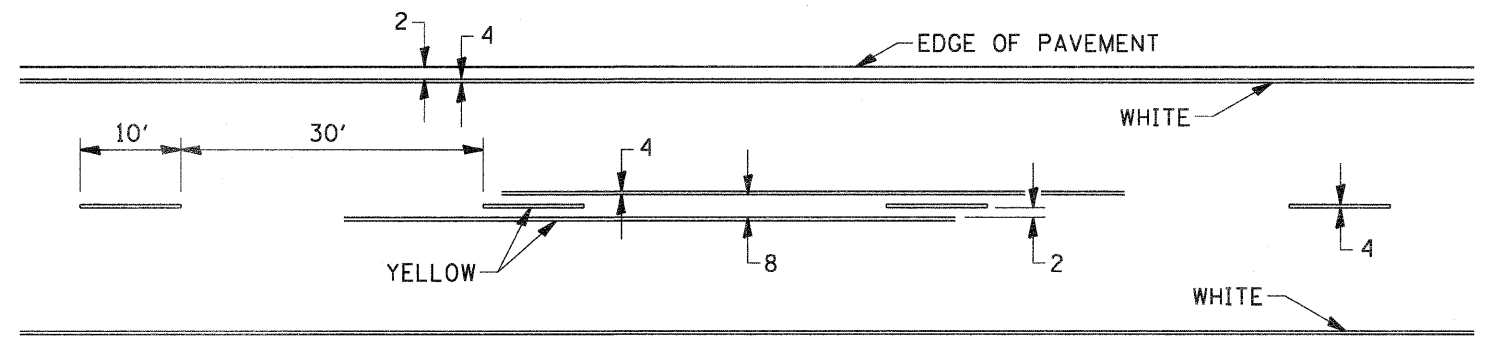


- REDUCE TO 40' O.C. ON CURVES WHERE ADVISORY SPEEDS ARE 10 MPH LOWER THAN POSTED SPEEDS.
- USE DOUBLE MARKERS WHEN ADT  $\geq$  25,000

## MULTI-LANE / UNDIVIDED

(FOR MULTI-LANE UNDIVIDED HIGHWAYS USE THIS  
DETAIL NOT HIGHWAY STANDARD 781001)

## TYPICAL PAVEMENT MARKING FOR TWO LANE SECTION - NO PASSING ZONES



SYMBOLS

FILE NAME =	USER NAME = petp	DESIGNED -	REVISED - 10-18-11	<b>STATE OF ILLINOIS DEPARTMENT OF TRANSPORTATION</b>	<b>REGION 2 / DISTRICT 2 STANDARD</b>			F.A. RTE.	SECTION	COUNTY	TOTAL SHEETS	SHEET NO.
GA\2010\TRANS\B191001\DCN\District Standards\District Standards.dgn	PLOT SCALE = 50.0000' / IN.	DRAWN -	REVISED -					742	34R	WINNEBAGO	491	353
	PLOT DATE = 1/17/2012	CHECKED -	REVISED -		SCALE: SHEET NO. OF SHEETS STA. TO STA.			FED. ROAD DIST. NO. ILLINOIS FED. AID PROJECT		CONTRACT NO. 64515		
		DATE -	REVISED -		<b>TYPICAL PAVEMENT MARKINGS SHEET 3 OF 3 41.1</b>							