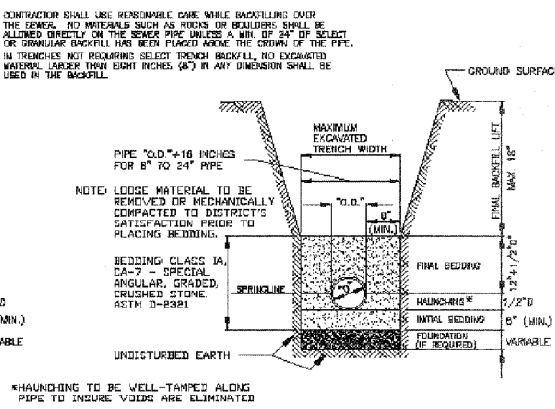
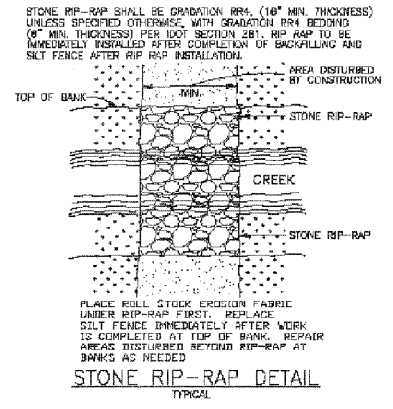


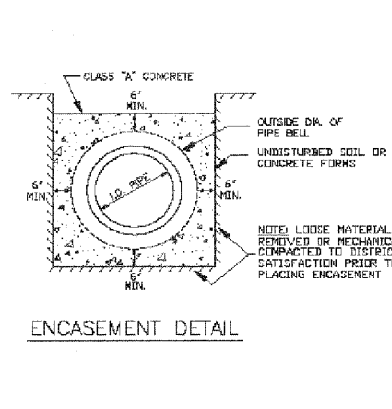
CLAY, RCP & DIP PIPE BEDDING DETAIL



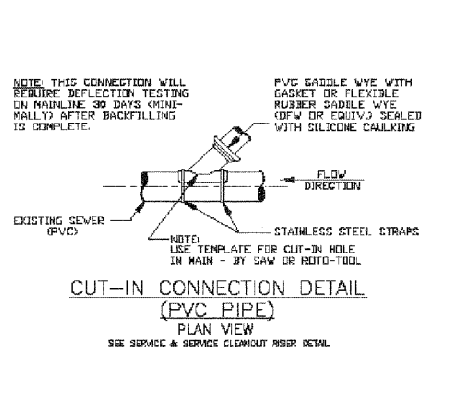
PVC PIPE BEDDING DETAIL



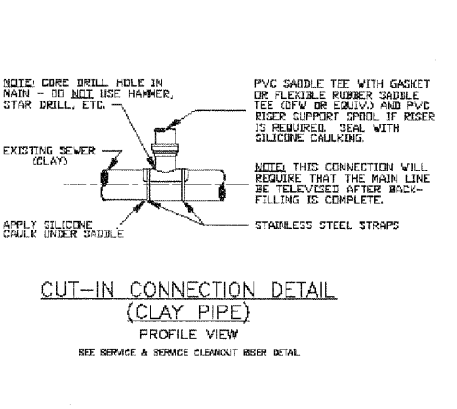
STONE RIP-RAP DETAIL



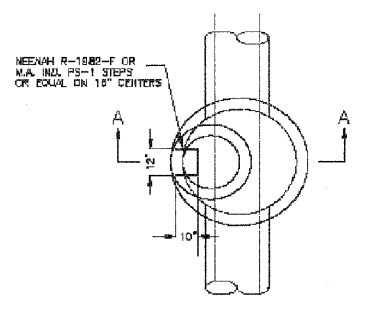
ENCASEMENT DETAIL



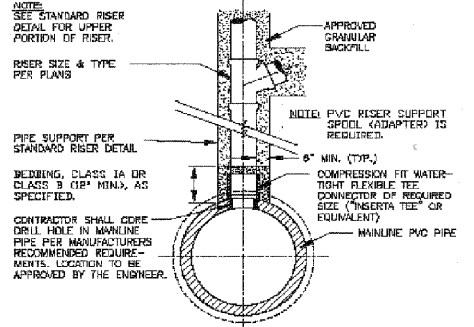
CUT-IN CONNECTION DETAIL (PVC PIPE)



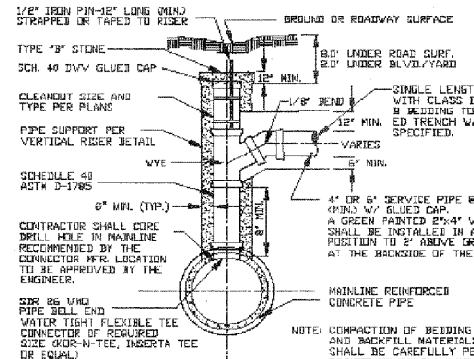
CUT-IN CONNECTION DETAIL (CLAY PIPE)



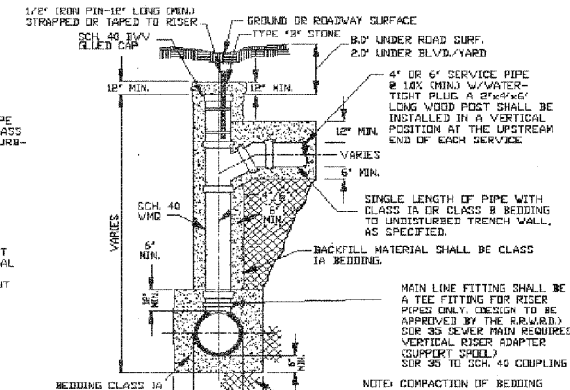
MANHOLE DETAIL - PLAN



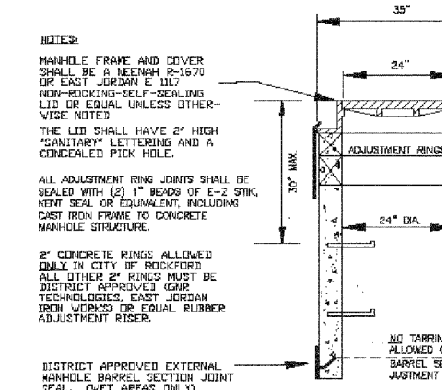
SERVICE CONNECTION FOR PVC TRUNK SEWER



SERVICE CONNECTION DETAIL FOR RCP



VERTICAL RISER DETAIL



SANITARY MANHOLE ADJUSTMENT DETAIL

PIPE SIZE	MIN. DIAMETER	MIN. WALL THICKNESS
6" - 18"	1/2" MIN.	3/8"
18" - 24"	3/4" MIN.	1/2"
24" - 36"	1" MIN.	3/4"

(OR AS DIRECTED BY THE DISTRICT)

NOTE: THE MAXIMUM DROP FROM THE INVERT OF ANY PIPE IN A MANHOLE TO THE POURED CHANNEL UNDER THAT PIPE SHALL BE 6".

NOTE: MANHOLES LOCATED OUTSIDE PUBLIC RIGHT-OF-WAY MUST BE MARKED WITH A METAL FENCE POST.

ALL NEW MANHOLES SHALL BE VACUUM TESTED PER ASTM D244 PRIOR TO PLACING INTO SERVICE. EXISTING RCP'S WILL NOT REQUIRE VACUUM TESTING.

12" MAX. ONLY (1) - 2" ADJUSTMENT RING PER MANHOLE. NOTE: 4" ADJUSTMENT RING NOT REQUIRED IN TURF AREA OR CURB AND GUTTER ROADWAYS.

NOTE: MANHOLE SHALL BE BACKFILLED WITH CLASS II GRANULAR CRUSHED STONE TO 12" ABOVE PROPOSED SEWER, PROPERLY COMPACTED, APPROVED BY THE ENGINEER.

NOTE: MANHOLE SHALL BE BACKFILLED WITH CLASS II GRANULAR CRUSHED STONE TO 12" ABOVE PROPOSED SEWER, PROPERLY COMPACTED, APPROVED BY THE ENGINEER.

NOTE: OPENINGS IN MANHOLE WALL SHALL BE 6" MIN. FROM ANY JOINT.

FOR BROWNING SEWER SMALLER THAN 12" USE VERTICAL PIPE OF SAME DIAMETER FOR WORKING SEWER 12" OR GREATER, USE 12" VERTICAL PIPE.

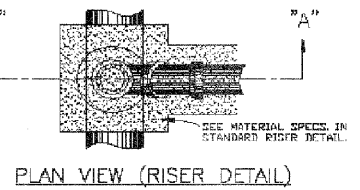
CAST-IN-PLACE CLASS II CONCRETE OR PRECAST PER THIS DESIGN.

PIPE CONNECTION TO PROPOSED MANHOLE SHALL BE MADE WATER-TIGHT BY MEANS OF RUBBER GASKET SEAL, A-LOCK OR EQUIV., CONFORMING TO A.S.T.M. F-497.

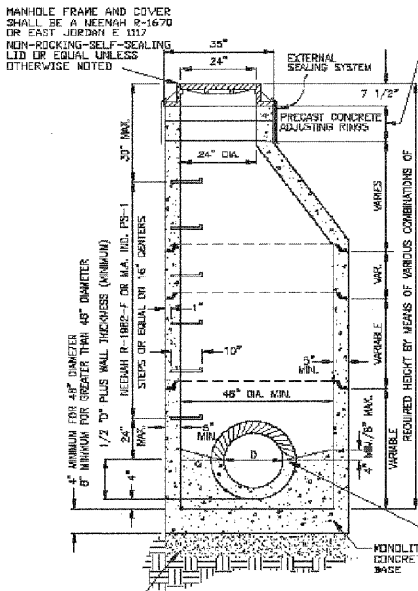
PIPE CONNECTION TO EXISTING MANHOLE SHALL BE MADE WATER-TIGHT BY MEANS OF RUBBER GASKET SEAL AND STAINLESS STEEL CLAMP, CONFORMING TO A.S.T.M. C-563.

PIPE ACCESS SHALL BE MADE BY CORE DRILLING MANHOLE WALL.

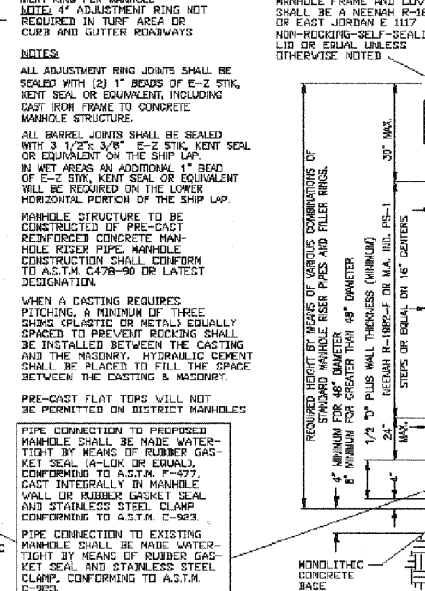
PKS SERIES GASKETS ARE NOT PERMITTED ON ANY BEDDINGS OVER 2" DEEP SHALL REQUIRE A-LOCK TO MANHOLE GASKET.



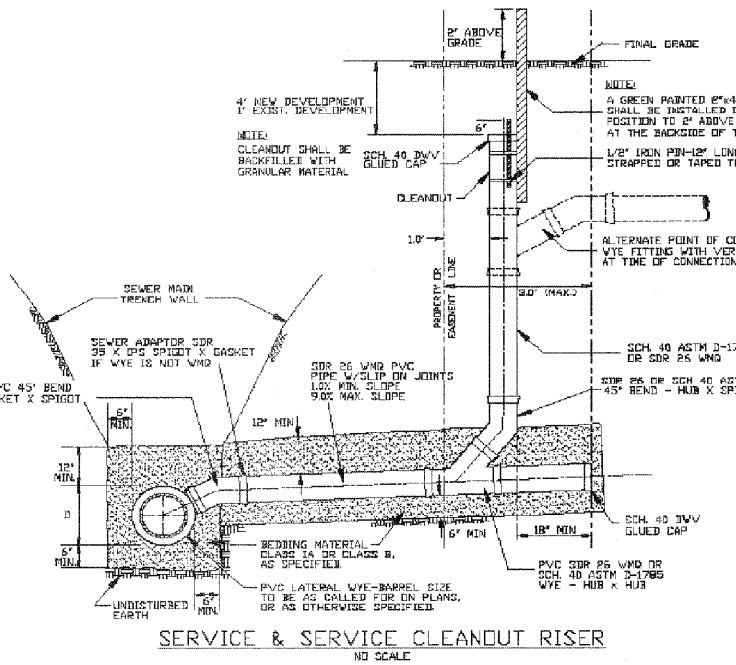
PLAN VIEW (RISER DETAIL)



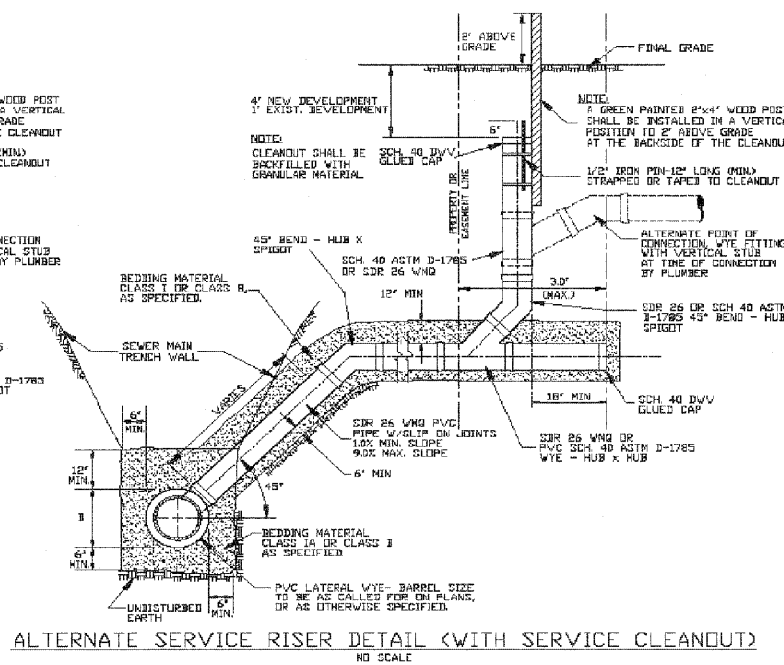
SANITARY MANHOLE DETAIL



SANITARY DROP MANHOLE DETAIL



SERVICE & SERVICE CLEANOUT RISER



ALTERNATE SERVICE RISER DETAIL (WITH SERVICE CLEANOUT)

ROCK RIVER WATER RECLAMATION DISTRICT
 3501 KISHWAUKEE ST., P.O. BOX 7400, ROCKFORD, ILLINOIS 6126-7400 - PH. (815) 367-7660/FAX (815) 367-7665

REVISED: 5/19/09 PAD **STANDARD DETAIL SHEET**

FILE NAME =	USER NAME = petp	DESIGNED -	REVISED -	STATE OF ILLINOIS	FAP 742 (IL 2)	F.A.P. RTE.	SECTION	COUNTY	TOTAL SHEETS	SHEET NO.
gn\2010\trons\10\2010\Detail\RRWRD	DETAIL_SHT.dgn	DRAWN -	REVISED -	DEPARTMENT OF TRANSPORTATION	R.R.W.R.D. STANDARD DETAIL SHEET	742	34R	WINNEBAGO	491	356
PLOT SCALE = 50.0000' / IN.		CHECKED -	REVISED -							
PLOT DATE = 1/13/2012		DATE -	REVISED -							
										CONTRACT NO. 64515
										ILLINOIS FED. AID PROJECT