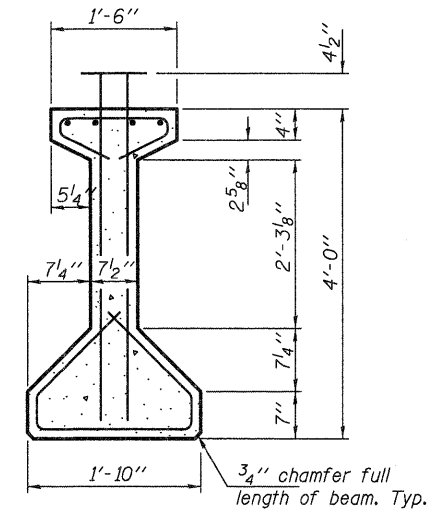
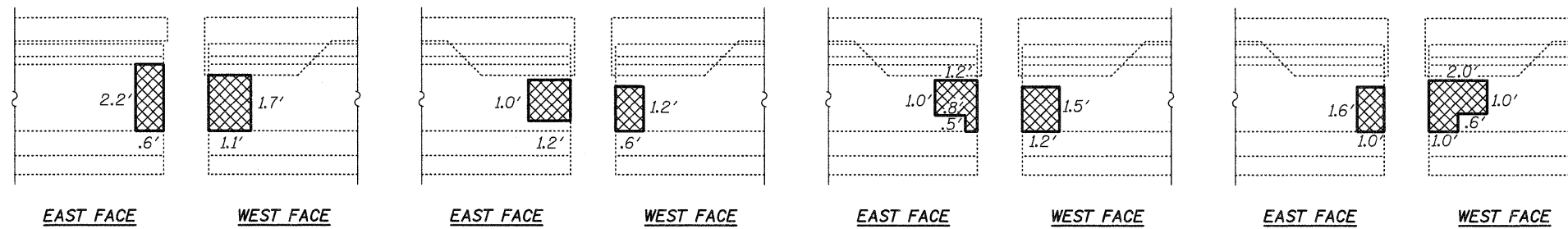


PARTIAL FRAMING PLAN



BEAM DIMENSIONS

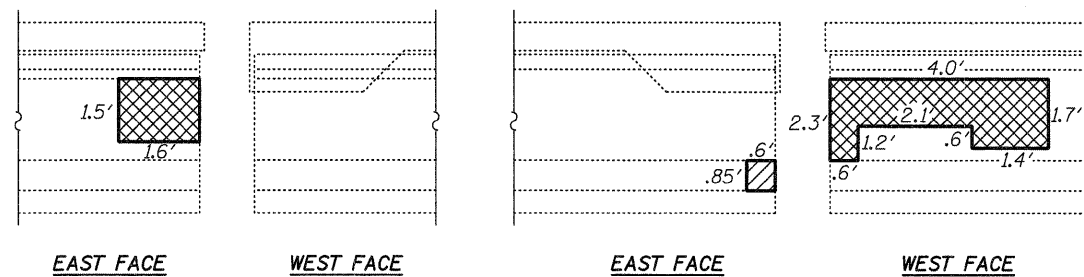


BEAM 1 - N. ABUT.
SN 101-0154

BEAM 2 - N. ABUT.
SN 101-0154

BEAM 3 - N. ABUT.
SN 101-0154

BEAM 4 - N. ABUT.
SN 101-0154



BEAM 1 - N. ABUT.
SN 101-0158

BEAM 6 - N. ABUT.
SN 101-0158

- Polymer Modified Portland Cement Mortar
- Structural Repair of Concrete ≤ 5 Inches

BILL OF MATERIAL SN 101-0154

ITEM	UNIT	QUANTITY
Polymer Modified Portland Cement Mortar	Sq. Ft.	12.5

BILL OF MATERIAL SN 101-0158

ITEM	UNIT	QUANTITY
Polymer Modified Portland Cement Mortar	Sq. Ft.	8.6
Structural Repair of Concrete ≤ 5 inches	Sq. Ft.	0.5

DESIGNED <i>IJL</i>	EXAMINED <i>Joyce F. Jelliff</i>	DATE <u>MAY 1, 2012</u>
CHECKED <i>ADY</i>	ACTING ENGINEER OF STRUCTURAL SERVICES	REVISED
DRAWN <i>balliva</i>	PASSED <i>Carl Perry</i>	REVISED
CHECKED <i>IJL ADY</i>	ACTING ENGINEER OF BRIDGES AND STRUCTURES	

STATE OF ILLINOIS
DEPARTMENT OF TRANSPORTATION

REPAIR DETAILS
SN 101-0154 (SB) & 101-0158 (NB)

SHEET NO. 6 OF 7 SHEETS

F.A.S. RTE. 1042	SECTION 11B, 1BR, 1BR-2RM	COUNTY WINNEBAGO	TOTAL SHEETS 31	SHEET NO. 12
CONTRACT NO. 64H75				
ILLINOIS FED. AID PROJECT				