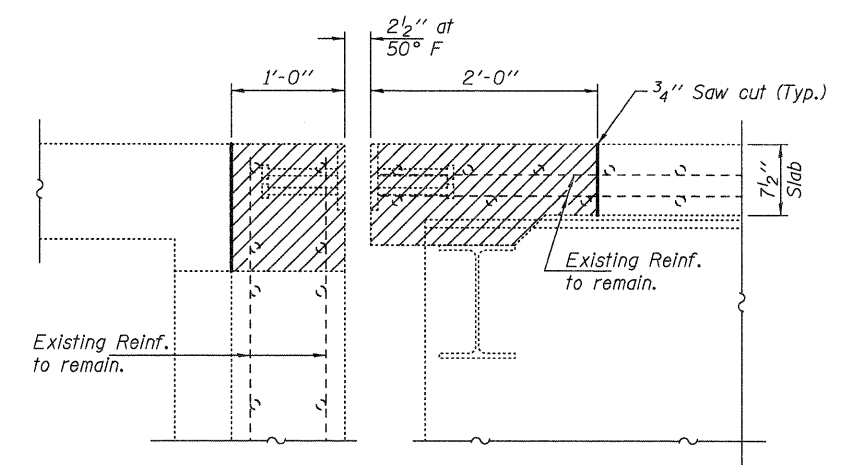


TYPICAL SECTION AT APPROACH PARAPET

Remove portion of wingwall as required at corners to allow clearance for new deck overhang. Cut reinf. flush and seal surface with epoxy. Cost included with Concrete Removal.



SECTION A-A
(Near Roadway)
(Dims at RT L's to end of deck)

CONCRETE REMOVAL PLAN

DESIGNED - ATH	EXAMINED - <i>Joanne F. Jelliffe</i> ACTING ENGINEER OF STRUCTURAL SERVICES	DATE - MAY 1, 2012
CHECKED - IJL	PASSED - <i>Carl R. ...</i> ACTING ENGINEER OF BRIDGES AND STRUCTURES	
DRAWN - Kyle M. Steffen		
CHECKED - ATH IJL		

STATE OF ILLINOIS
DEPARTMENT OF TRANSPORTATION

CONCRETE REMOVAL DETAILS
SN 004-0013

SHEET NO. 2 OF 5 SHEETS

F.A.P. RTE.	SECTION	COUNTY	TOTAL SHEETS	SHEET NO.
517	(1B, 1BR, 1BR-2RM)	BOONE	31	19
CONTRACT NO. 64H75				
ILLINOIS FED. AID PROJECT				