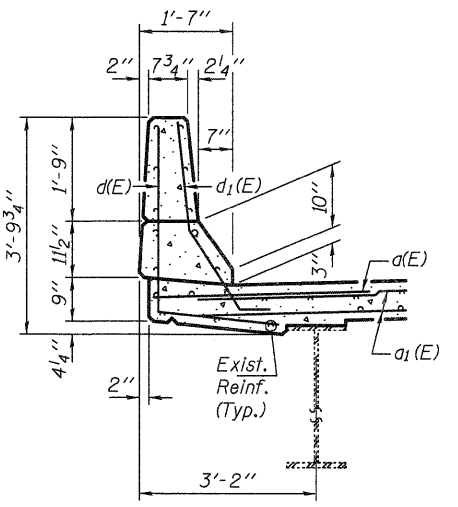
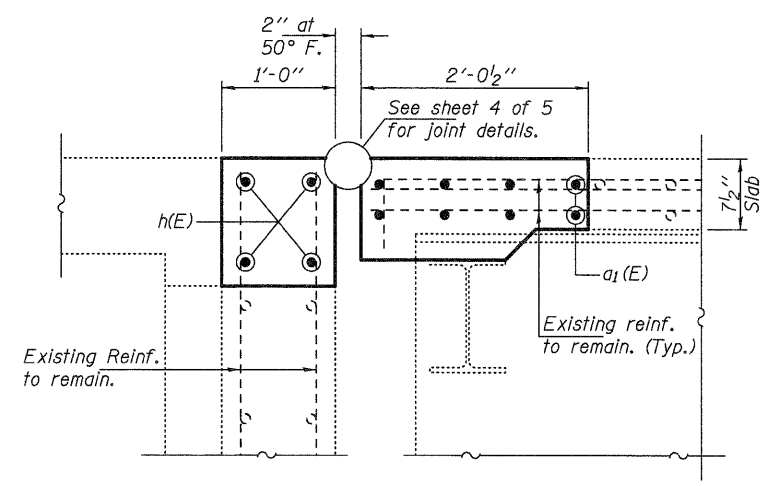


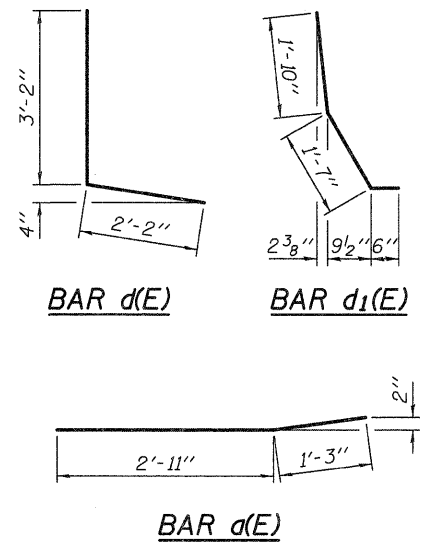
CONCRETE REPLACEMENT PLAN



TYPICAL PARAPET SECTION



SECTION B-B
(Near Roadway)
(Dims at RT L's to end of deck)



BILL OF MATERIAL

Bar	No.	Size	Length	Shape
a(E)	8	#6	4'-2"	—
a1(E)	32	#5	25'-1"	—
d(E)	12	#5	5'-4"	L
d1(E)	12	#5	3'-11"	L
h(E)	16	#6	26'-0"	—
Concrete Removal		Cu. Yd.	14.9	
Concrete Superstructure		Cu. Yd.	15.0	
Reinforcement Bars, Epoxy Coated		Pound	1660	

DESIGNED - ATH
 CHECKED - IJL
 DRAWN - Kyle M. Steffen
 CHECKED - ATH IJL

EXAMINED
 PASSED
 DATE - MAY 1, 2012
 ACTING ENGINEER OF STRUCTURAL SERVICES
 ACTING ENGINEER OF BRIDGES AND STRUCTURES

STATE OF ILLINOIS
DEPARTMENT OF TRANSPORTATION

CONCRETE REPLACEMENT DETAILS
 SN 004-0013
 SHEET NO. 3 OF 5 SHEETS

F.A.P. RTE. 517
 SECTION (1B, 1BR, 1BR-2RM)
 COUNTY BOONE
 TOTAL SHEETS 31
 SHEET NO. 20
 CONTRACT NO. 64H75
 ILLINOIS FED. AID PROJECT