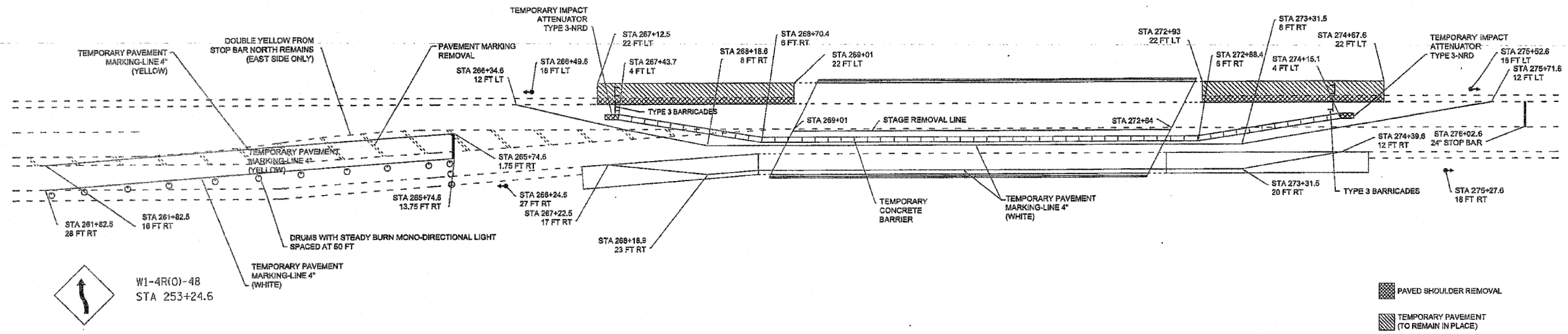


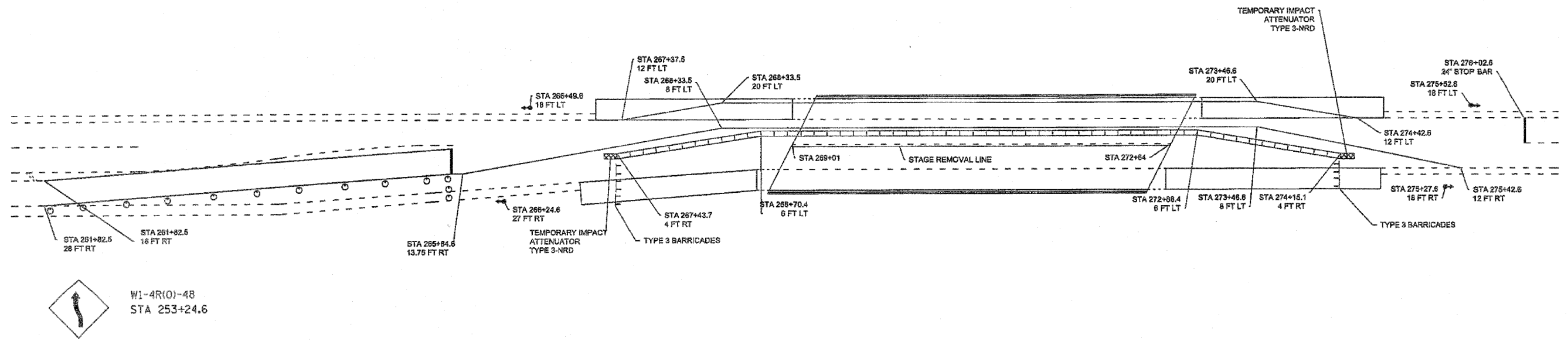
BUISNESS ROUTE 20 STAGE 1 TRAFFIC CONTROL



NOTES

Temporary concrete barrier wall offsets are to the traffic side.
 12.87 feet was used as length of temporary concrete barrier wall section.
 See Standard 701321 for signing devices, vertical panels, spacing, and additional information.
 Type 3 barricades are included with cost of Standard 701321.
 See prestage construction details for center line of road.
 Temporary pavement to remain in-place.

BUISNESS ROUTE 20 STAGE 2 TRAFFIC CONTROL



FILE NAME *	USER NAME = 10000	DESIGNED -	REVISED -	STATE OF ILLINOIS DEPARTMENT OF TRANSPORTATION	STAGE CONSTRUCTION DETAILS FOR SN 004-0013		F.A. RTE. 517	SECTION (1B, 1BR, 1BR-2R)M	COUNTY BOONE	TOTAL SHEETS 31	SHEET NO. 25
Cr\Joint Repair_B4H7B\B4H75_PLAN.dgn		DRAWN -	REVISED -		SCALE: _____	SHEET NO. _____ OF _____ SHEETS	STA. _____ TO STA. _____	CONTRACT NO. 64H75		FED. ROAD DIST. NO. [ILLINOIS] FED. AID PROJECT	
		CHECKED -	REVISED -								
		DATE -	REVISED -								