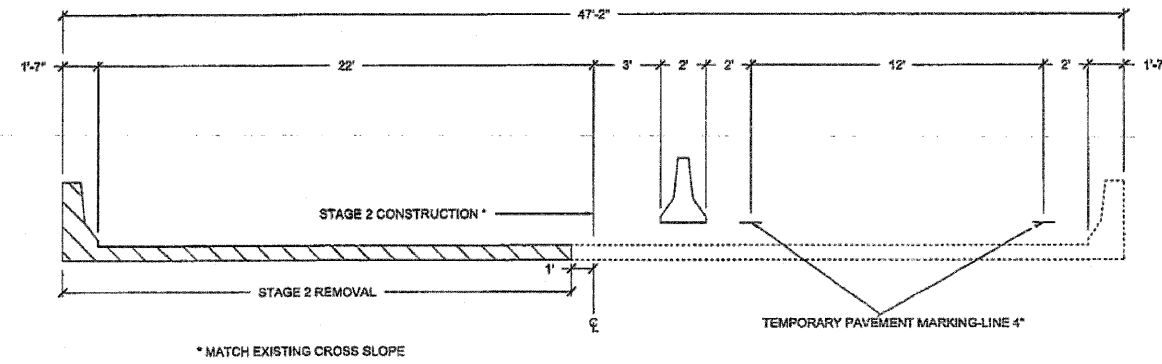
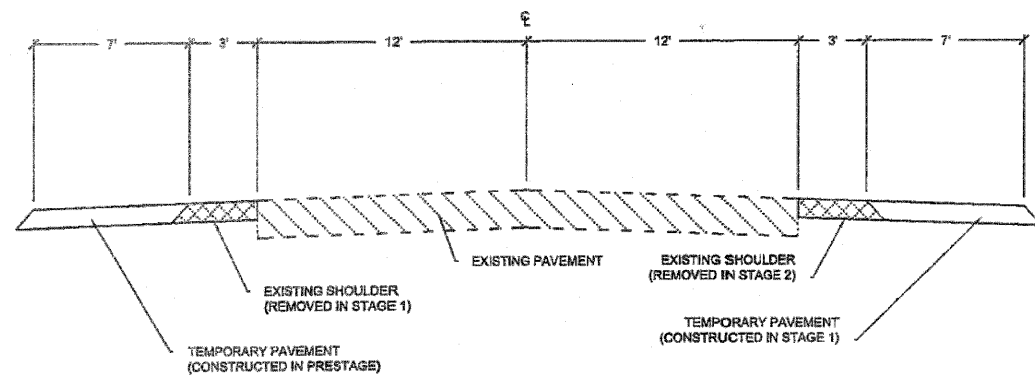


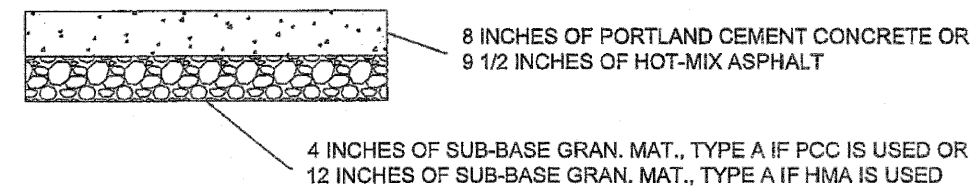
**STAGE 1 (LOOKING NORTH)**



**STAGE 2 (LOOKING NORTH)**



**ROADWAY (LOOKING NORTH)**



**TEMPORARY PAVEMENT DETAIL**

**NOTES**  
See Special Provisions for temporary pavement option.

FILE NAME = C:\Joint Repair_64H75\64H75_PLAN.dgn	USER NAME = loars	DESIGNED -	REVISED -
		DRAWN -	REVISED -
	PLOT SCALE = 1/4" = 1' - 0"	CHECKED -	REVISED -
	PLOT DATE = Thu Apr 05 09:56:38 2012	DATE -	REVISED -

**STATE OF ILLINOIS  
DEPARTMENT OF TRANSPORTATION**

TYPICAL SECTIONS FOR SN 004-0013	
SCALE: _____	SHEET NO. ____ OF ____ SHEETS STA. _____ TO STA. _____

F.A. RTE. 517	SECTION (1B, 1BR, 1BR-2R)M	COUNTY BOONE	TOTAL SHEETS 31	SHEET NO. 26
FED. ROAD DIST. NO. - ILLINOIS			CONTRACT NO. 64H75	