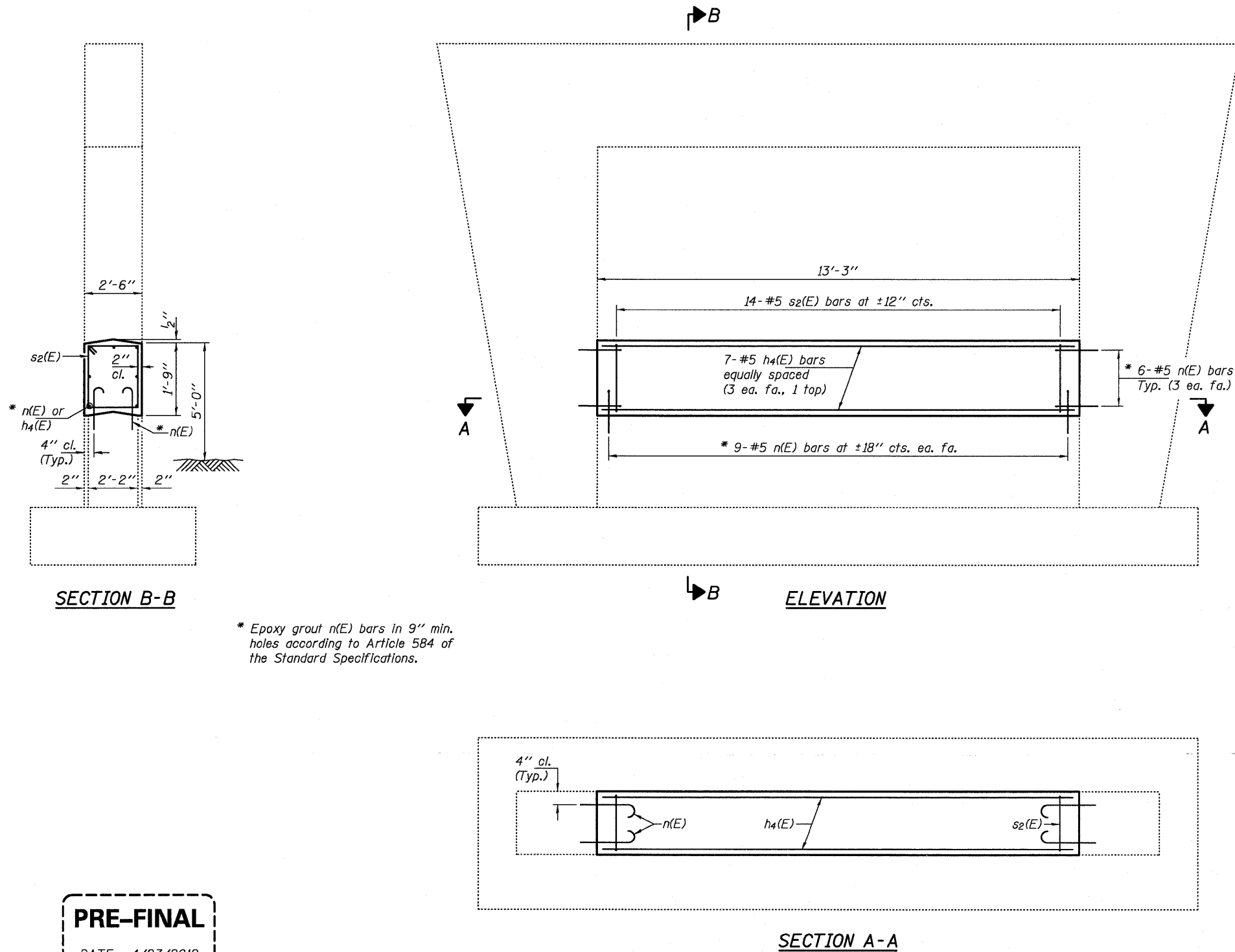
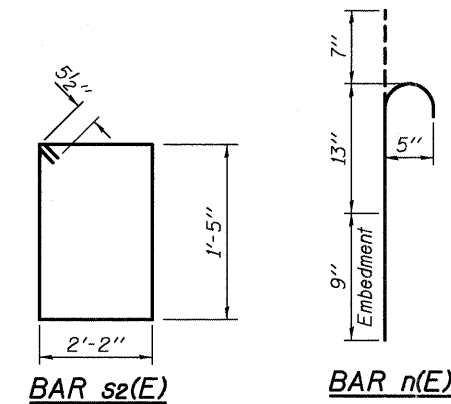


NOTES

The cost of epoxy grouting threaded rods shall be included with Reinforcement Bars, Epoxy Coated.
 Plan dimensions and details relative to existing plans are subject to nominal construction variations. The Contractor shall field verify existing dimensions and details affecting new construction and make necessary approved adjustments prior to construction or ordering of materials. Such variations shall not be cause for additional compensation for a change in scope of the work, however, the Contractor will be paid for the quantity actually furnished at the unit price bid for the work. Reinforcement bars designated (E) shall be epoxy coated.



* Epoxy grout n(E) bars in 9" min. holes according to Article 584 of the Standard Specifications.



BILL OF MATERIAL

Bar	No.	Size	Length	Shape
h4(E)	7	#5	12'-11"	—
n(E)	30	#5	2'-5"	U
s2(E)	14	#5	8'-1"	□
Concrete Structures			Cu. Yd.	2.1
Reinforcement Bars, Epoxy Coated			Pound	290

PRE-FINAL
 DATE: 4/23/2012

EXPIRES 11-30-2012

DESIGNED <i>DAB</i>	EXAMINED	DATE - <i>APRIL 23, 2012</i>	STATE OF ILLINOIS DEPARTMENT OF TRANSPORTATION	PIER CRASHWALL EXTENSION 098-0077	F.A.I. RTE.	SECTION	COUNTY	TOTAL SHEETS	SHEET NO.
CHECKED <i>VP</i>	ACTING ENGINEER OF STRUCTURAL SERVICES	REVISED			88		WHITESIDE	157	99
DRAWN <i>baliva</i>	PASSED	REVISED			SHEET NO. OF SHEETS		CONTRACT NO. 64H77		
CHECKED <i>DAB VP</i>	ACTING ENGINEER OF BRIDGES AND STRUCTURES	REVISED			[ILLINOIS] FED. AID PROJECT				