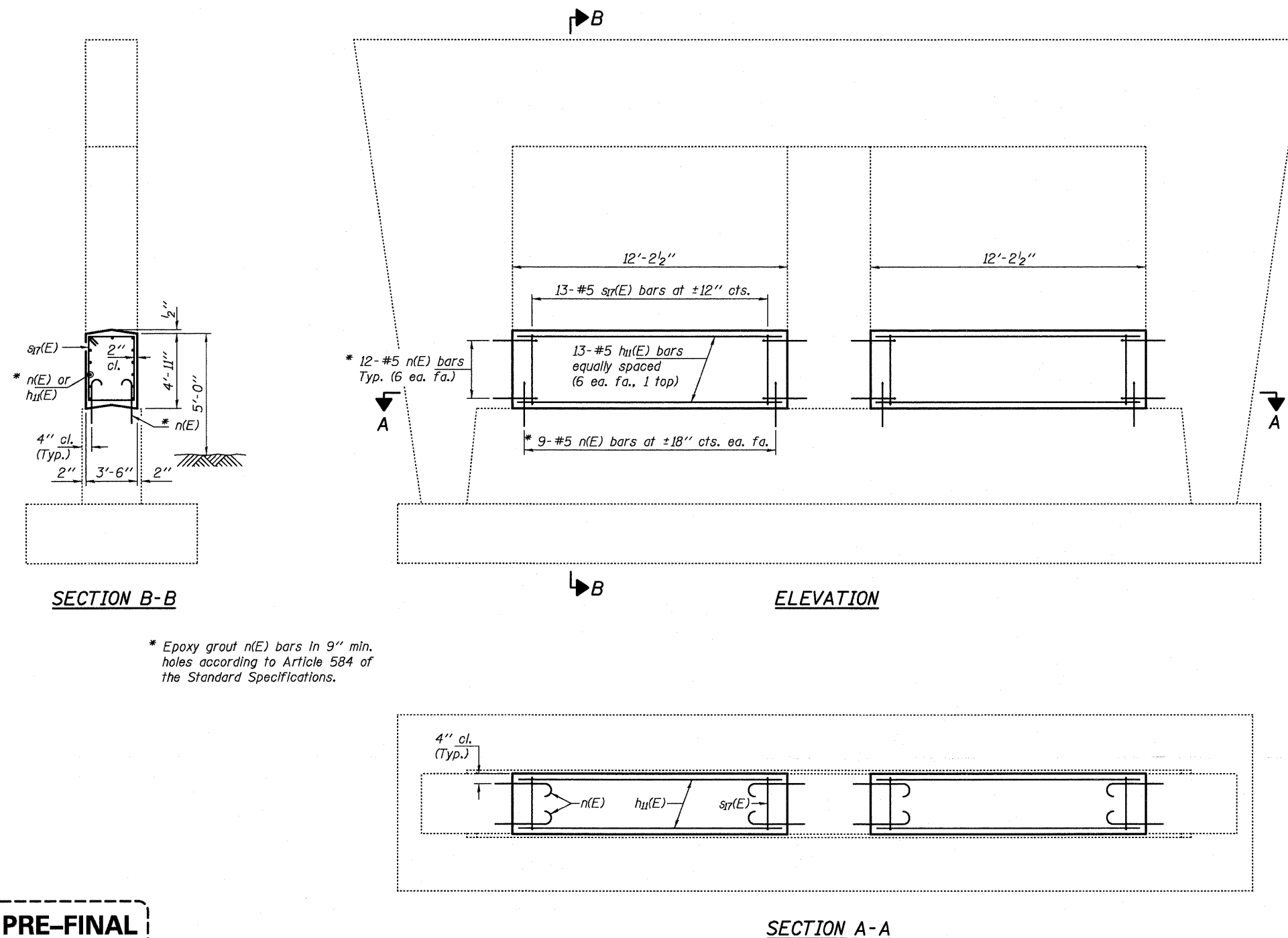
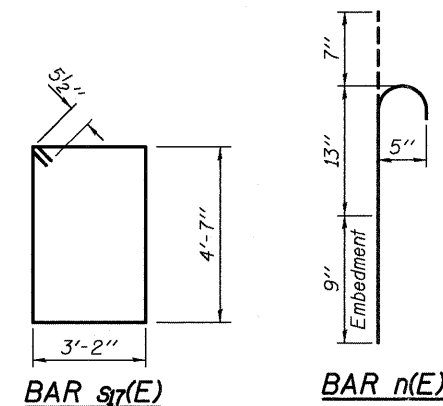


NOTES

The cost of epoxy grouting threaded rods shall be included with Reinforcement Bars, Epoxy Coated.
 Plan dimensions and details relative to existing plans are subject to nominal construction variations. The Contractor shall field verify existing dimensions and details affecting new construction and make necessary approved adjustments prior to construction or ordering of materials. Such variations shall not be cause for additional compensation for a change in scope of the work, however, the Contractor will be paid for the quantity actually furnished at the unit price bid for the work. Reinforcement bars designated (E) shall be epoxy coated.



* Epoxy grout n(E) bars in 9" min. holes according to Article 584 of the Standard Specifications.



BILL OF MATERIAL

Bar	No.	Size	Length	Shape
hr(E)	26	#5	11'-10"	—
n(E)	84	#5	2'-5"	⌋
sr(E)	26	#5	16'-5"	□
Concrete Structures			Cu. Yd.	15.6
Reinforcement Bars, Epoxy Coated			Pound	980

PRE-FINAL
 DATE: 4/23/2012

EXPIRES 11-30-2012

DESIGNED <i>DAB</i>	EXAMINED	DATE - <i>APRIL 23, 2012</i>	STATE OF ILLINOIS DEPARTMENT OF TRANSPORTATION	PIER CRASHWALL EXTENSION 081-0133	F.A.I. RTE.	SECTION	COUNTY	TOTAL SHEETS	SHEET NO.
CHECKED <i>VP</i>	ACTING ENGINEER OF STRUCTURAL SERVICES	REVISED			88		ROCK ISLAND	151	102
DRAWN <i>baliva</i>	PASSED	REVISED			CONTRACT NO. 64H77				
CHECKED <i>DAB VP</i>	ACTING ENGINEER OF BRIDGES AND STRUCTURES	REVISED			ILLINOIS FED. AID PROJECT				
SHEET NO. OF SHEETS									