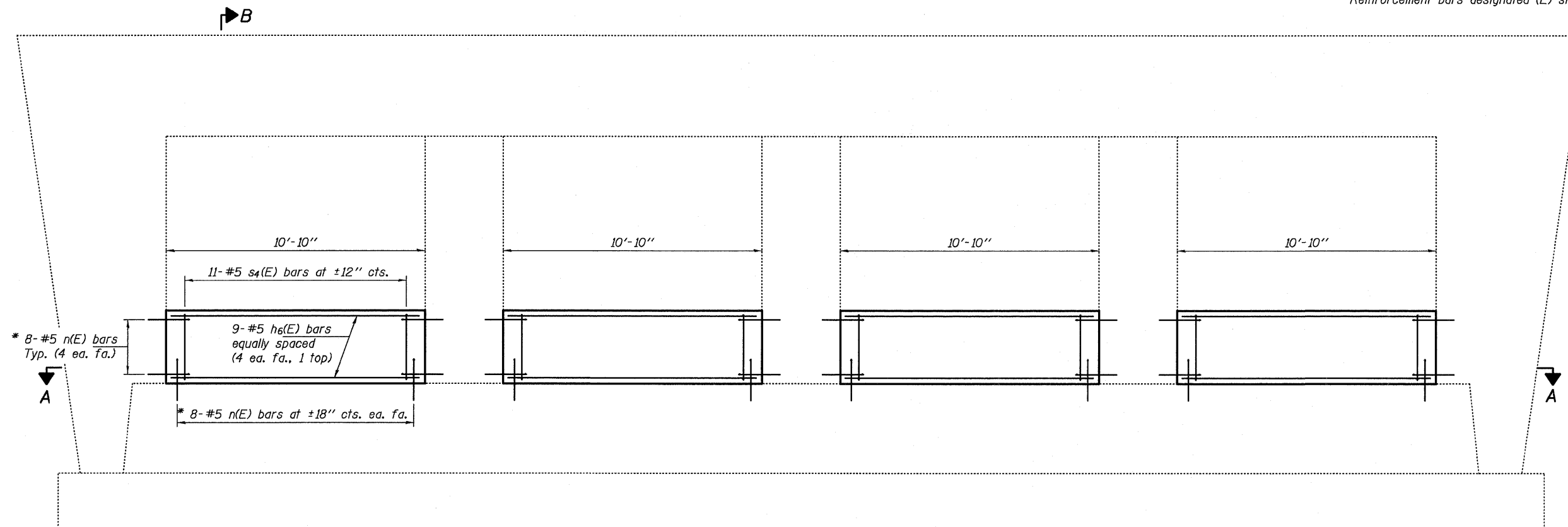
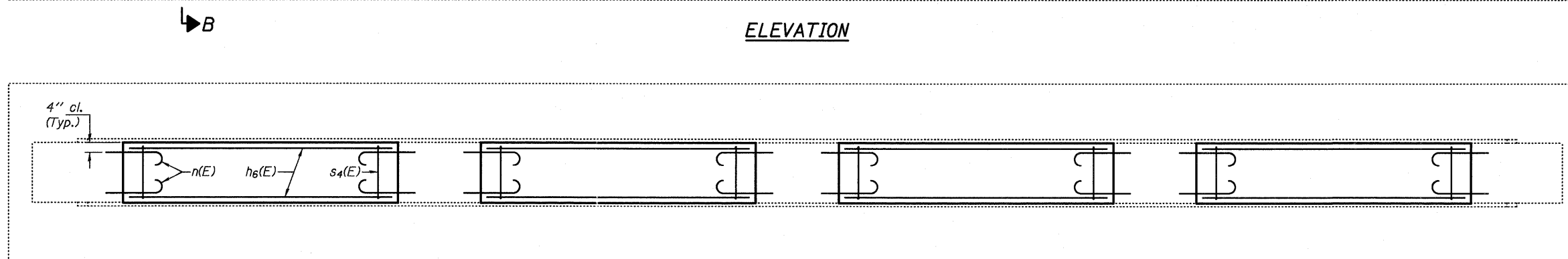


NOTES

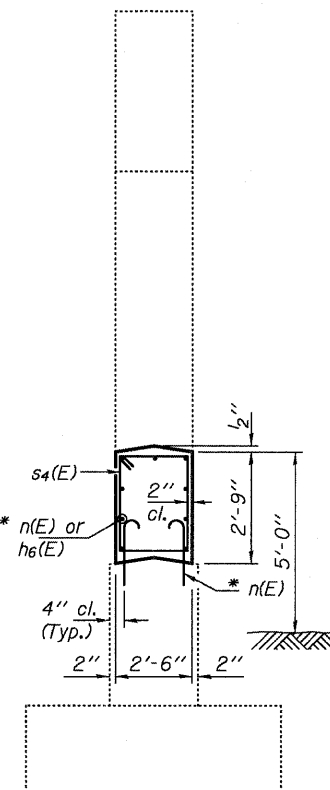
The cost of epoxy grouting threaded rods shall be included with Reinforcement Bars, Epoxy Coated.
 Plan dimensions and details relative to existing plans are subject to nominal construction variations. The Contractor shall field verify existing dimensions and details affecting new construction and make necessary approved adjustments prior to construction or ordering of materials. Such variations shall not be cause for additional compensation for a change in scope of the work, however, the Contractor will be paid for the quantity actually furnished at the unit price bid for the work.
 Reinforcement bars designated (E) shall be epoxy coated.



ELEVATION



SECTION A-A

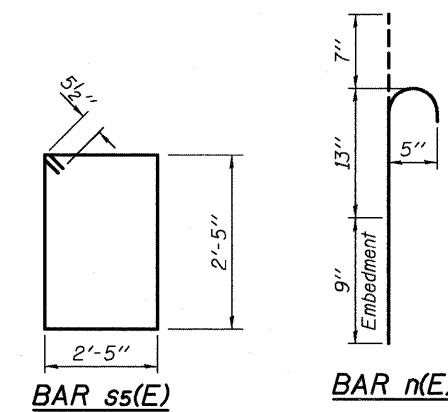


SECTION B-B

* Epoxy grout n(E) bars in 9" min. holes according to Article 584 of the Standard Specifications.

BILL OF MATERIAL

Bar	No.	Size	Length	Shape
h ₆ (E)	36	#5	10'-6"	—
n(E)	128	#5	2'-5"	⌋
s ₄ (E)	44	#5	10'-1"	□
Concrete Structures				Cu. Yd. 11.0
Reinforcement Bars, Epoxy Coated				Pound 1180



PRE-FINAL
 DATE: 4/23/2012

EXPIRES 11-30-2012

DESIGNED <i>DAB</i>	EXAMINED	DATE - <i>APRIL 23, 2012</i>	STATE OF ILLINOIS DEPARTMENT OF TRANSPORTATION		PIER CRASHWALL EXTENSION 081-0119		F.A.I. RTE. 88	SECTION	COUNTY	TOTAL SHEETS	SHEET NO.
CHECKED <i>VP</i>	ACTING ENGINEER OF STRUCTURAL SERVICES	REVISED					88		ROCK ISLAND	151	107
DRAWN <i>baliva</i>	PASSED	ACTING ENGINEER OF BRIDGES AND STRUCTURES	REVISED	SHEET NO. OF SHEETS		CONTRACT NO. 64HT7		ILLINOIS FED. AID PROJECT			
CHECKED <i>DAB VP</i>											