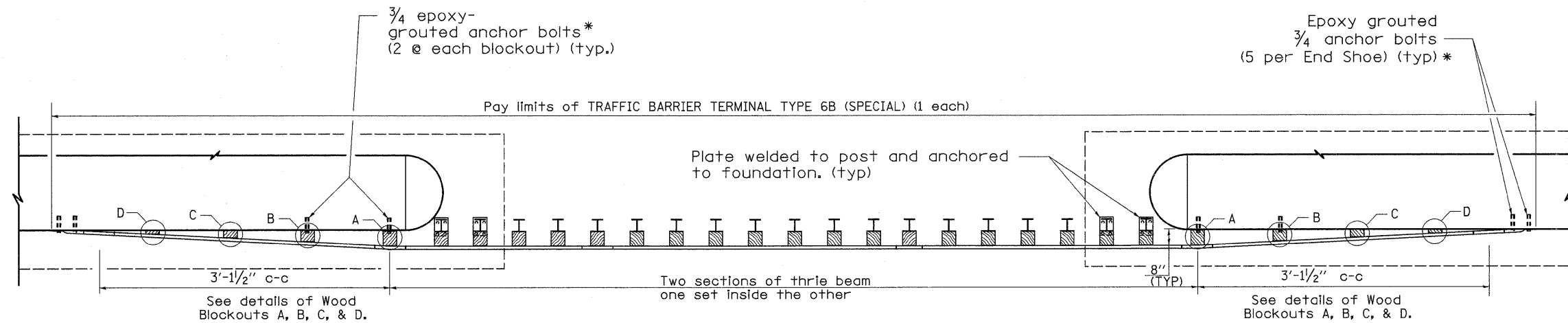
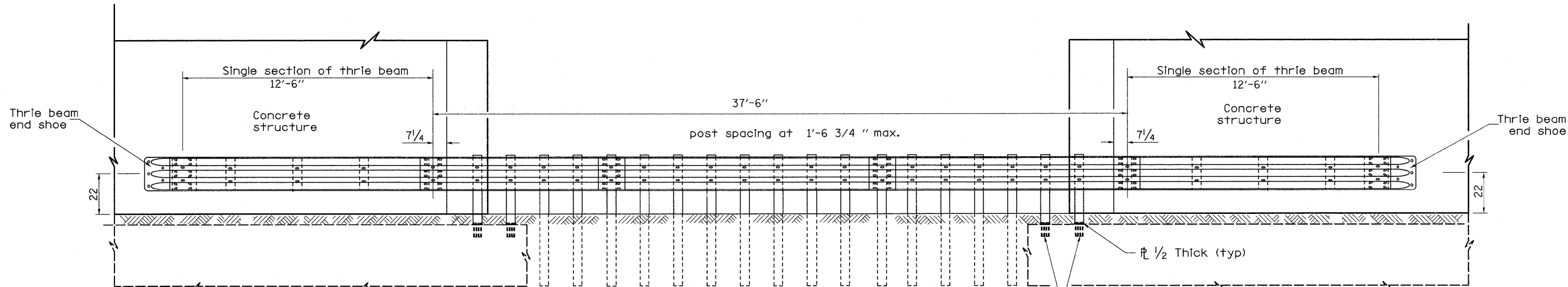


# TRAFFIC BARRIER TERMINAL, TYPE 6B (SPECIAL)



PLAN

\* With standard washers. After tightening, cut the anchor bolts flush with the nuts and damage the nuts to prevent them from loosening.



ELEVATION

## GENERAL NOTES

This work shall be done according to Section 631 of the Standard Specifications and this detail.

See Standard 630001 for details of guardrail not shown.

Thrie beam rail shall be bolted to block-out at all posts.

Posts located above pier foundation shall have plate attached to post and anchored to foundation.

All slope ratios are expressed as units of vertical displacement to units of horizontal displacement (V:H).

All dimensions are in inches unless otherwise shown.

The Traffic barrier Terminal, Type 6B (Special) will be measured for payment, complete in place, in units of each.

This work shall be paid for at the contract unit price per each for TRAFFIC BARRIER TERMINAL, TYPE 6B (SPECIAL).

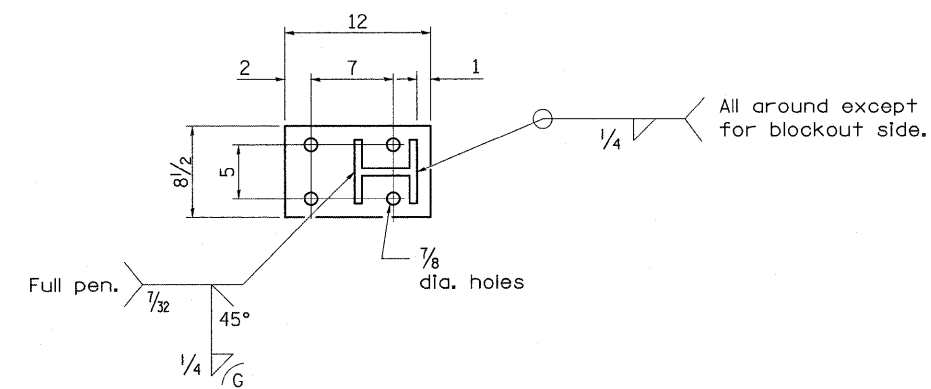


PLATE DETAIL

\* 74, 80, 88 & 280  
\*\* HENRY / ROCK ISLAND / WHITESIDE

FILE NAME =	USER NAME = renkesw	DESIGNED -	REVISED - 10-18-11	<b>STATE OF ILLINOIS DEPARTMENT OF TRANSPORTATION</b>	<b>REGION 2 / DISTRICT 2 STANDARD</b>				F.A.I. RTE.	SECTION	COUNTY	TOTAL SHEETS	SHEET NO.
α:\p\work\p\dot\renkesw\8292974\0206212-sht-detail.dgn		DRAWN -	REVISED -		SCALE:	SHEET NO.	OF	SHEETS	STA.	TO STA.	* D2 SAFETY 2012-2	** 151	117
		CHECKED -	REVISED -								CONTRACT NO. 64H77		
		DATE -	REVISED -								ILLINOIS FED. AID PROJECT		