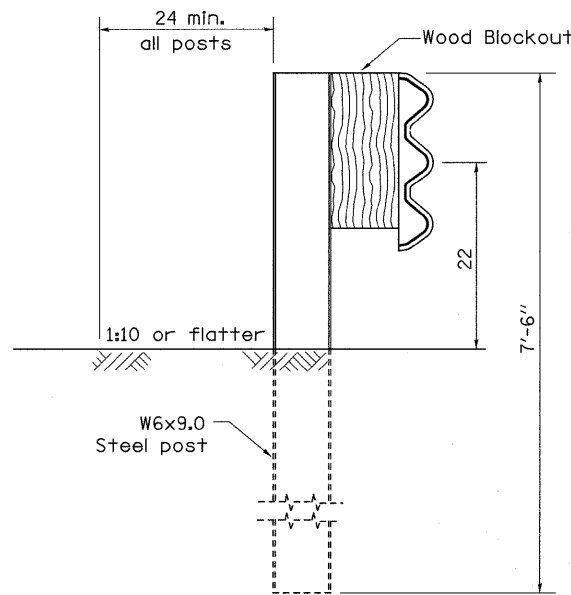
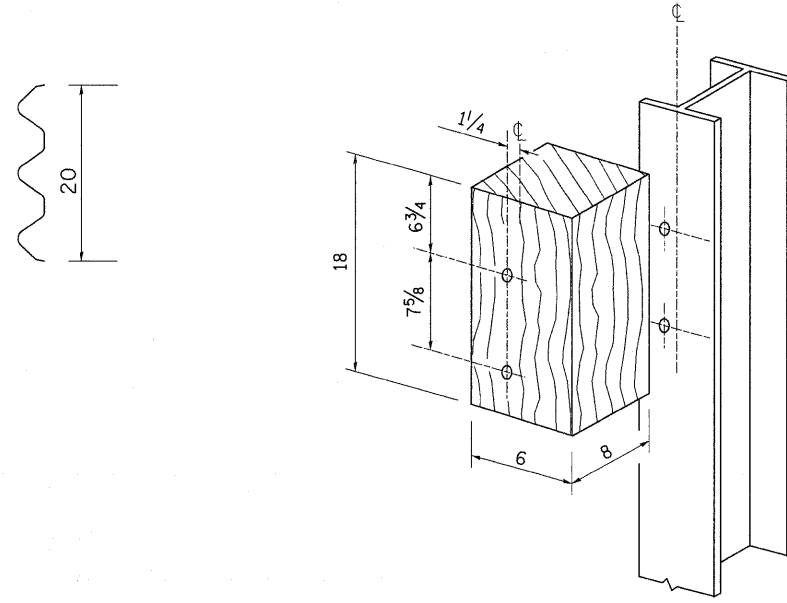


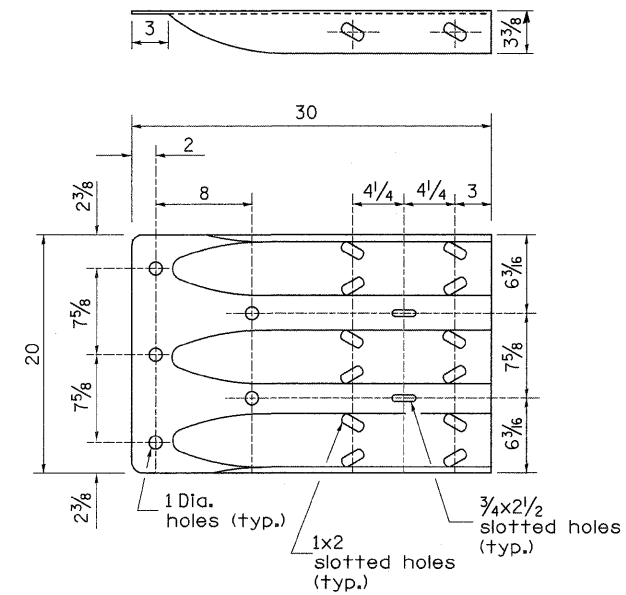
# TRAFFIC BARRIER TERMINAL, TYPE 6B (SPECIAL)



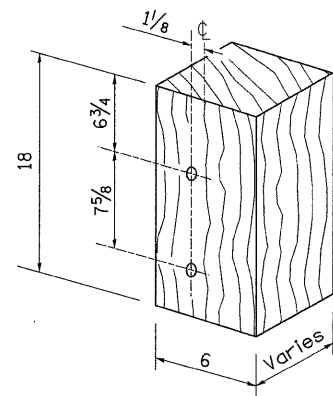
SECTION A-A



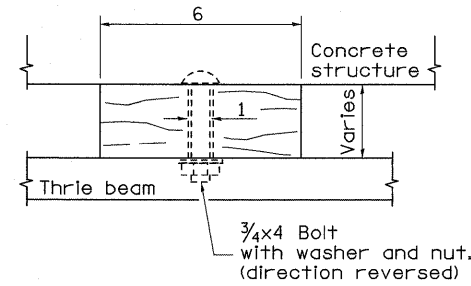
WOOD BLOCKOUT DETAIL



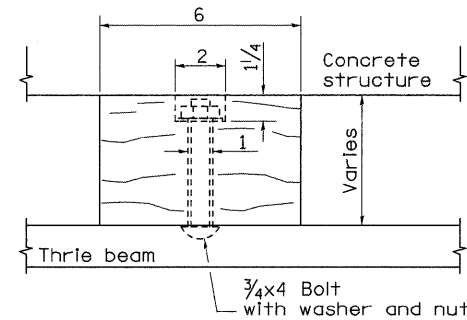
THREE BEAM END SHOE DETAIL



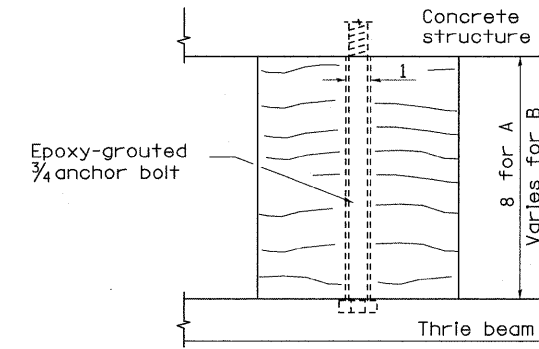
MODIFIED THICKNESS DETAIL  
WOOD BLOCKOUTS A, B, C, & D



WOOD BLOCKOUT D



WOOD BLOCKOUT C



WOOD BLOCKOUT A & B

\* 74, 80, 88 & 280  
\*\* HENRY / ROCK ISLAND / WHITESIDE

FILE NAME =	USER NAME = renkesw	DESIGNED -	REVISED - 10-18-11	<b>STATE OF ILLINOIS DEPARTMENT OF TRANSPORTATION</b>	<b>REGION 2 / DISTRICT 2 STANDARD</b>	F.A.I. RTE.	SECTION	COUNTY	TOTAL SHEETS	SHEET NO.
cr:\pw\work\p\dot\renkesw\10292974\10292974-212-sht-details.dgn	DRAWN -	REVISED -				* D2 SAFETY 2012-2	**	151	118	
PLOT SCALE = 50.0000' / in.	CHECKED -	REVISED -				CONTRACT NO. 64H77				
PLOT DATE = Mon Apr 30 14:34:48 2012	DATE -	REVISED -				FED. ROAD DIST. NO.	ILLINOIS FED. AID PROJECT			