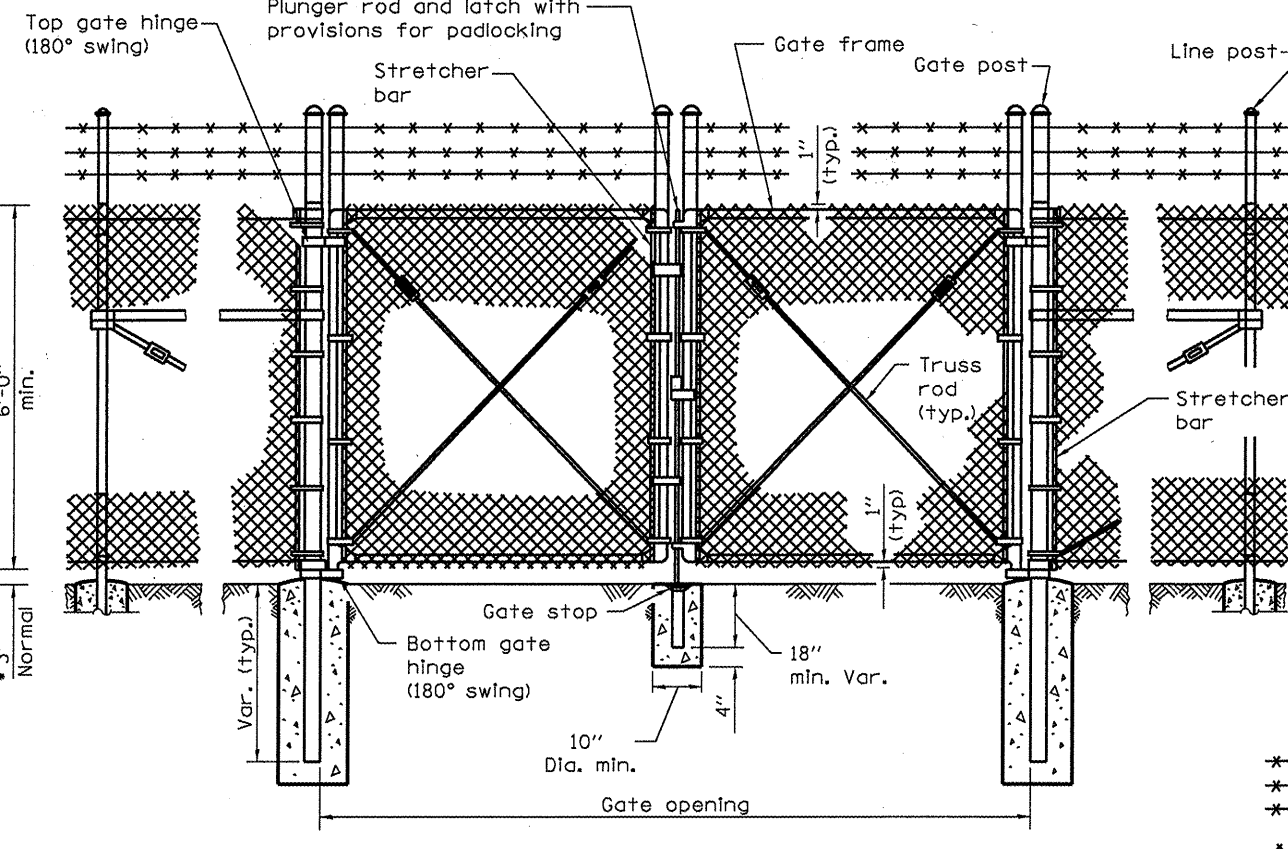
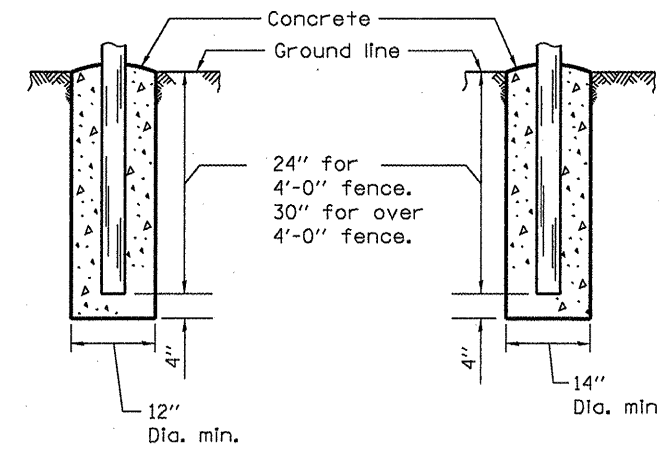


**SINGLE GATE ARRANGEMENT**

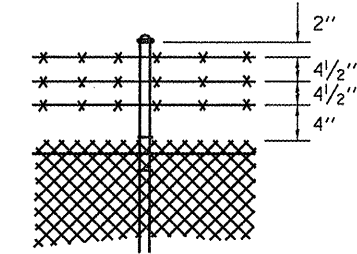


**DOUBLE GATE ARRANGEMENT**

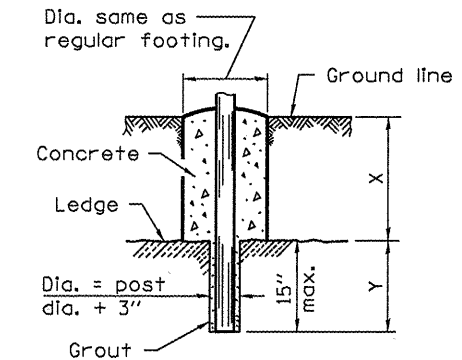


**FOOTING FOR LINE POST**

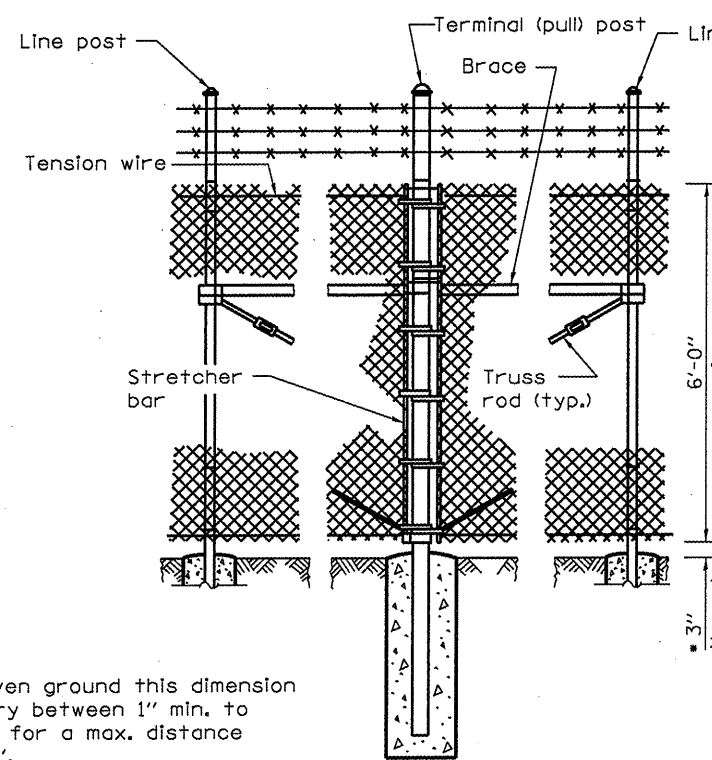
**FOOTING FOR GATE & TERMINAL POST**



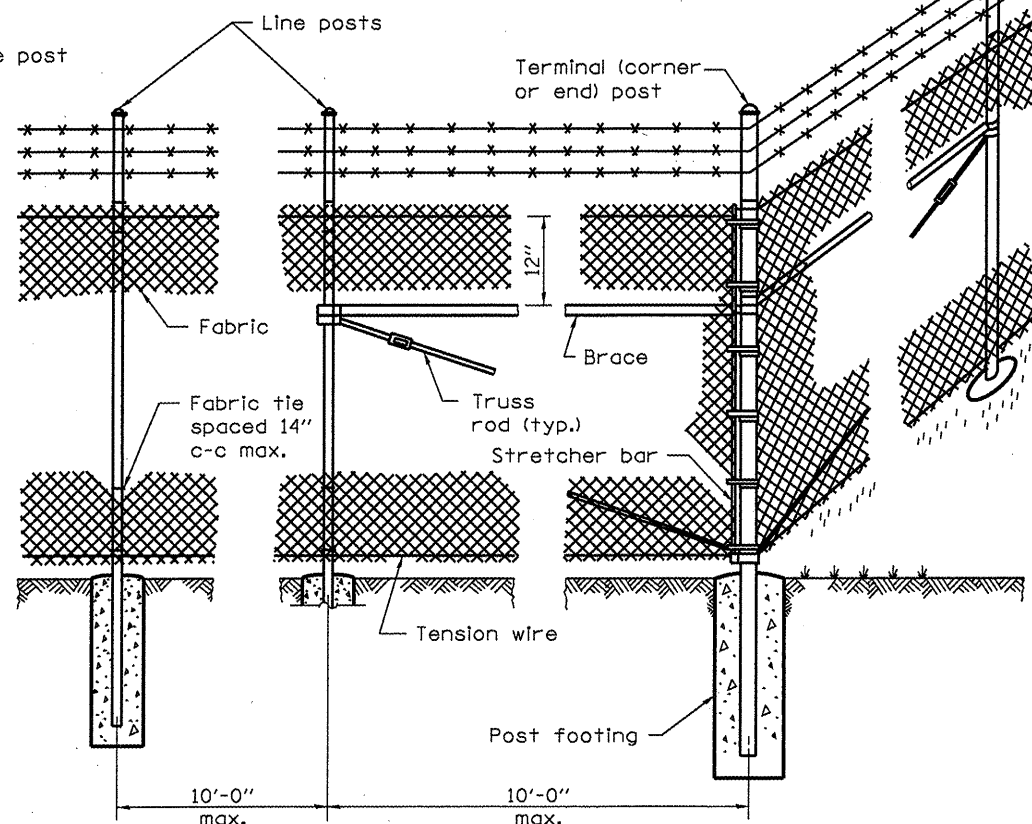
**BARBED WIRE SPACING DETAIL**



**FOOTING FOR POST IN ROCK LEDGE**



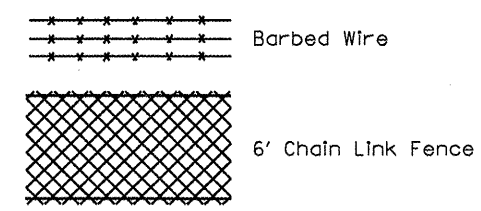
**PULL POST ARRANGEMENT**



**LINE POST ARRANGEMENT**

**CORNER OR END POST ARRANGEMENT**

**LEGEND**



**GENERAL NOTES**

Pull posts shall be placed at locations determined by the Engineer. They shall be placed at 660' intervals between posts to which the ends of the fabric are clamped or midway between such posts when the distance is less than 1320' and greater than 660'.

X + Y shall not exceed 24", 30", or 36", as applicable. When X is 0 - 9", 15", or 21", then Y = 15" and the post shall be shortened as required. When X exceeds 9", 15", or 21", then Y shall be decreased correspondingly.

All dimensions are in inches unless otherwise shown.

• On uneven ground this dimension may vary between 1" min. to 5" max. for a max. distance of 8'-0".

FILE NAME =	USER NAME = potelyj	DESIGNED - TIM PLETSCH	REVISED -	<b>STATE OF ILLINOIS DEPARTMENT OF TRANSPORTATION</b>	<b>CHAIN LINK FENCE DETAILS</b>	F.A.I.	SECTION	COUNTY	TOTAL SHEETS	SHEET NO.	
oi\pwwork\pwwork\potelyj\d8282187\0368699-ahd-details.dgn	PLOT SCALE = 100.0000' / 1" =	DRAWN - TIM PLETSCH	REVISED -			80	D3 FENCE REPAIR 2012-1	LASALLE	7	5	
PLOT DATE = 2/16/2012	DATE -	CHECKED - RON WOODSHANK	REVISED -			CONTRACT NO. 66B69					
		DATE -	REVISED -			ILLINOIS FED. AID PROJECT					