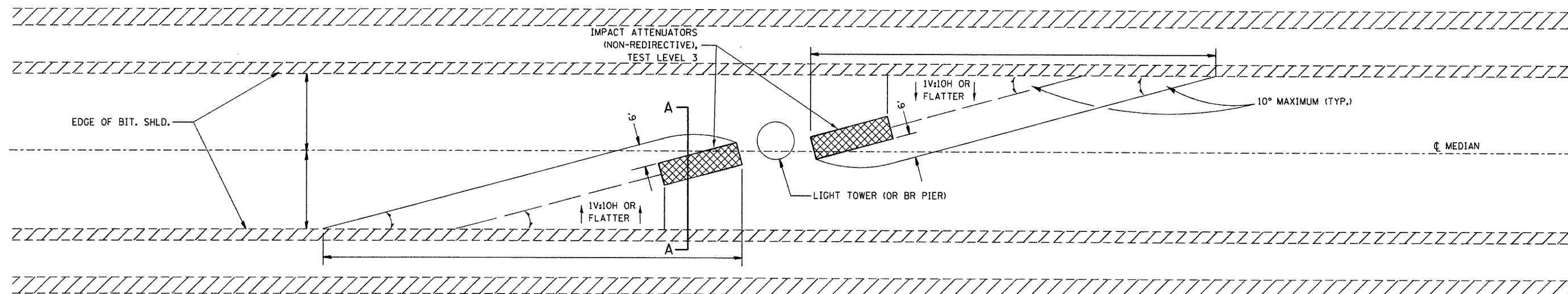
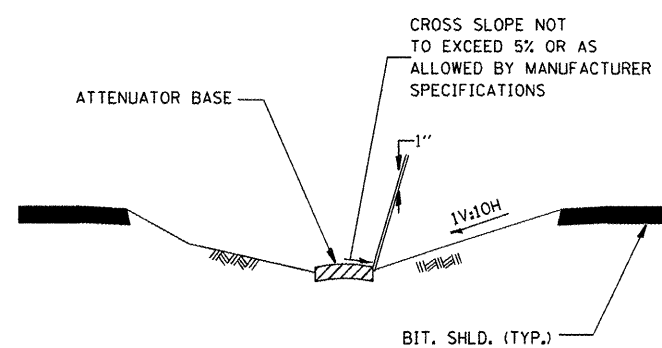


GENERAL NOTES

1. THE 10:1 SLOPE CONTROLS NOSE OF ATTENUATOR BASE ELEVATION.
2. ATTENUATOR BASE GRADE PARALLELS EDGE OF PAVEMENT GRADE.
3. SLOPE ADJACENT TO ATTENUATOR BASE SHALL BE 10:1 OR FLATTER.



IMPACT ATTENUATOR LAYOUT AND GRADING PLAN



SECTION A - A

NOTE:

ATTENUATOR BASE SHALL BE PER MANUFACTURER SPECIFICATIONS EXCEPT SAND MODULE SYSTEMS SHALL HAVE THE FOLLOWING ADDITIONAL REQUIREMENTS:

1. ATTENUATOR BASE SHALL PROVIDE A 1' BUFFER ALONG THE SIDES AND FRONT OF THE ARRAY.
2. SAND MODULE SYSTEMS SHALL BE PLACED ON A CONCRETE BASE
3. ALL EARTH EXCAVATION MATERIAL MUST BE DISTRIBUTED ON-SITE AT EACH LOCATION. THE CONTRACTOR IS NOT ALLOWED TO HAUL ANY MATERIAL AWAY.

FILE NAME =	USER NAME = fergusonae	DESIGNED -	REVISED -
c:\pwork\p1dot\fergusoe\0291012\036898-sht-details.dgn		DRAWN -	REVISED -
		CHECKED -	REVISED -
		DATE -	REVISED -

**STATE OF ILLINOIS
DEPARTMENT OF TRANSPORTATION**

GENERAL ATTENUATOR GRADING DETAIL

SCALE: SHEET NO. OF SHEETS STA. TO STA.

F.A.I. RTE.	SECTION	COUNTY	TOTAL SHEETS	SHEET NO.
180	D3 IMPACT ATTENUATOR 2012-1	BUREAU	59	5
CONTRACT NO. 66898			ILLINOIS FED. AID PROJECT	