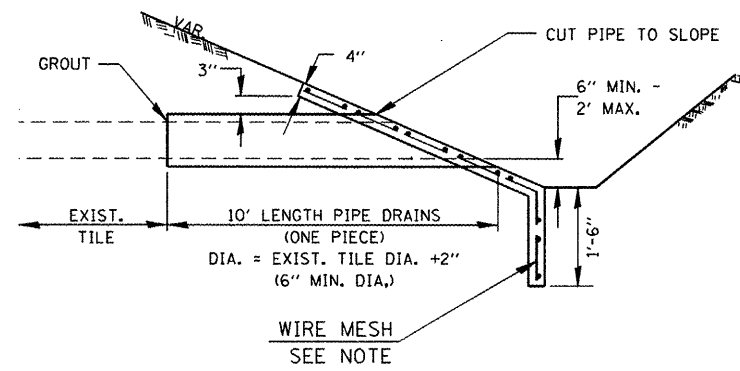
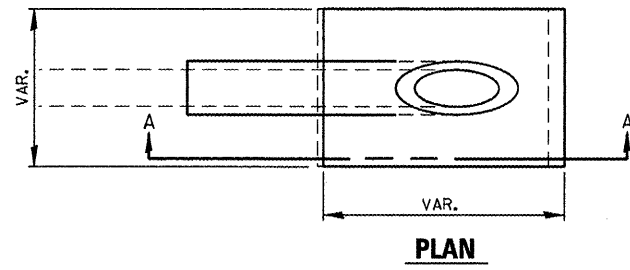


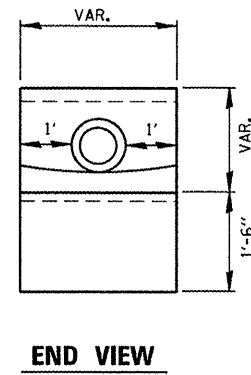
**NOTES**

1. ANY FIELD TILE OUTLET INTO A DITCH SHALL HAVE A HEADWALL BUILT IN ACCORDANCE WITH THIS DETAIL.
2. COST OF FURNISHING AND INSTALLING WIRE MESH SHALL BE INCLUDED IN THE CONTRACT UNIT PRICE PER CUBIC YARD FOR MISCELLANEOUS CONCRETE. WIRE MESH TO WEIGH NOT LESS THAN 58# PER 100 SQ. FT.

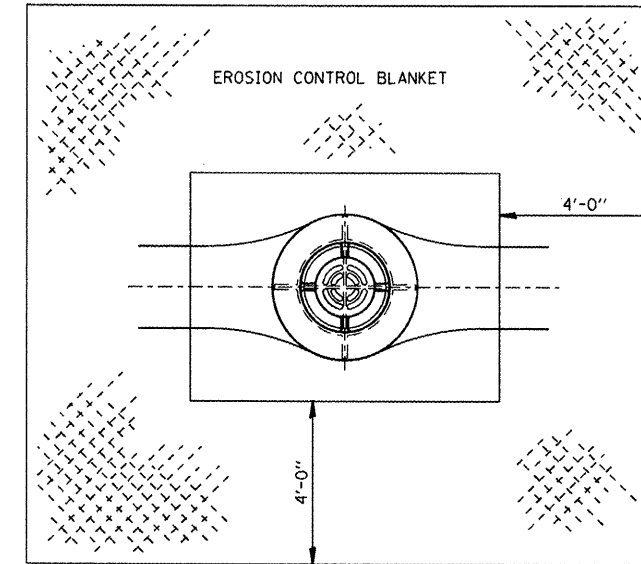


**SECTION A-A**

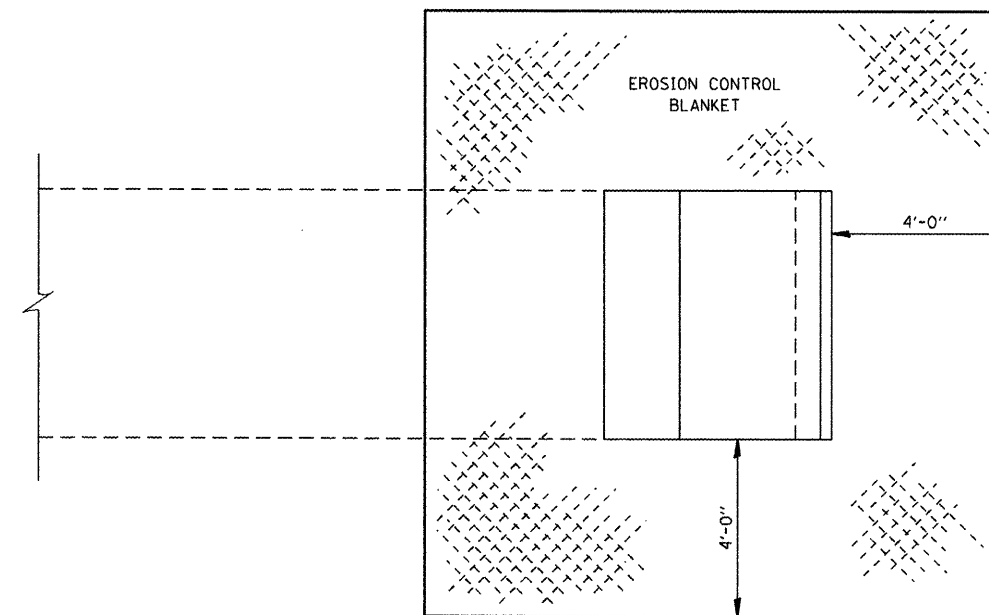
**PIPE DRAINS & CONCRETE HEADWALLS**



**END VIEW**



**EROSION CONTROL BLANKET AT MEDIAN INLET STD. 604101 OR STD. 640106**



**EROSION CONTROL BLANKET AT PRECAST BOX CULVERT END SECTIONS**

FILE NAME =	USER NAME = fergusonse	DESIGNED -	REVISED -
et:\p\work\p\ridot\fergusonse\0291012\0366898-shr-details.dgn		DRAWN -	REVISED -
	PLOT SCALE = 100.0000' / in.	CHECKED -	REVISED -
	PLOT DATE = 3/29/2012	DATE -	REVISED -

**STATE OF ILLINOIS  
DEPARTMENT OF TRANSPORTATION**

**CADD DETAILS**

SCALE: SHEET NO. OF SHEETS STA. TO STA.

F.A. RTE.	SECTION	COUNTY	TOTAL SHEETS	SHEET NO.
180	03 IMPACT ATTENUATOR 2012-1	BUREAU	53	7
CONTRACT NO. 66B98			ILLINOIS FED. AID PROJECT	