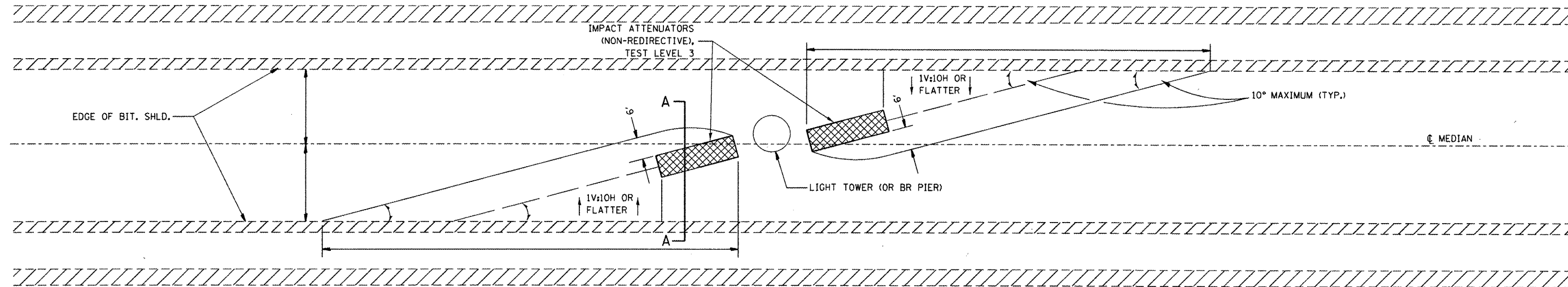
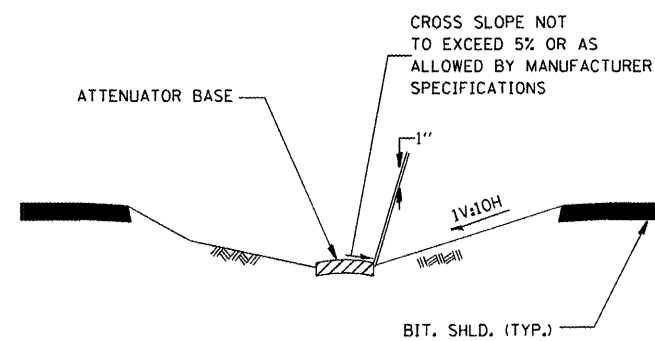


### GENERAL NOTES

1. THE 10:1 SLOPE CONTROLS NOSE OF ATTENUATOR BASE ELEVATION.
2. ATTENUATOR BASE GRADE PARALLELS EDGE OF PAVEMENT GRADE.
3. SLOPE ADJACENT TO ATTENUATOR BASE SHALL BE 10:1 OR FLATTER.



### IMPACT ATTENUATOR LAYOUT AND GRADING PLAN



**SECTION A - A**

**NOTE:**

ATTENUATOR BASE SHALL BE PER MANUFACTURER SPECIFICATIONS EXCEPT SAND MODULE SYSTEMS SHALL HAVE THE FOLLOWING ADDITIONAL REQUIREMENTS:

1. ATTENUATOR BASE SHALL PROVIDE A 1' BUFFER ALONG THE SIDES AND FRONT OF THE ARRAY.
2. SAND MODULE SYSTEMS SHALL BE PLACED ON A CONCRETE BASE
3. ALL EARTH EXCAVATION MATERIAL MUST BE DISTRIBUTED ON-SITE AT EACH LOCATION. THE CONTRACTOR IS NOT ALLOWED TO HAUL ANY MATERIAL AWAY.

FILE NAME =	USER NAME = fergusonse	DESIGNED -	REVISED -
c:\pwork\pwork\fergusonse\0294370\066899-sht-details.dgn		DRAWN -	REVISED -
	PLOT SCALE = 100.0000 ' / in.	CHECKED -	REVISED -
	PLOT DATE = 3/30/2012	DATE -	REVISED -

**STATE OF ILLINOIS  
DEPARTMENT OF TRANSPORTATION**

**GENERAL ATTENUATOR GRADING DETAIL**

SCALE: SHEET NO. OF SHEETS STA. TO STA.

F.A.I. RTE.	SECTION	COUNTY	TOTAL SHEETS	SHEET NO.
39	05 IMPACT ATTENUATOR 2012-2	LASALLE	94	5
ILLINOIS FED. AID PROJECT			CONTRACT NO. 66899	